

FACADE MOULDINGS



Gaudi

FOR FACADE DECORATION
OF YOUR HOUSE

FACADE
MOULDINGS

Gaudi



entablements	10	pilasters	184
cornices	12	bossages	210
friezes	60	examples	218
architraves	72	balustrades	220
balustrades	84	entrances	227
balustrades	88, 92	cornices	
half balustrades	78, 94	main cornices	256
columns	96	facade mouldings	292
columns	98	window frames	
half columns	126	windows with pilasters	330
window frames	154	windows with half columns	344
platbands	156	windows with keystones	351
arch frames	162	bossages	361
keystones	165	examples	365
window jambs	170		
window ledges	171		
corbels	180		
pediment	182		

THE ART OF PRODUCTION

Architectural Decor Ltd. is an official world wide representative and distributor of Gaudi trade mark by Evroplast LTD. Russia

Evroplast is a leading manufacturer of polyurethane foam products in Europe. The company has an extensive technical and scientific base and a multidisciplinary team of highly qualified experts. Vast experience, advanced technologies, and innovative equipment enable the company to deliver excellent products to customers and thus, to capture a major share in the market.



Evroplast road to Success

The history of the Evroplast trademark started over 20 years ago, with the production of elastic slab-stock (for furniture production) and elastic cast (finished soft parts for furniture) polyurethane foam. Meanwhile, related sectors providing incoming material quality control, laboratories carrying out product output parameters, monitoring and the production zones for components and casting forms for soft cast elements manufacture, were developed. As a result, a large Production Department was created. It performs such tasks as both conducting independent research and effective cooperation with the research laboratories of the largest manufacturers of raw materials and equipment (Dow Chemical, Bayer, BASF, CANNON, KRAUSMAFFEL, SIEMENS, ABB). All the production facilities of the company have been developed due to this cooperation, on the basis of the technical design specifications of the Evroplast specialists, and are truly unique. Our dynamically developing production structure has enabled us to master production of hard cast products and architectural decoration elements in the shortest time, and to take one of the leading positions in this market, increasing turnover every year. Today, the plant producing the architectural decoration elements under the Evroplast trademark is the largest plant manufacturing such products in Europe, and it is one of the largest ones in the world. It has representative offices in more than 60 cities in Russia, Belarus, Ukraine, Kazakhstan, Azerbaijan and Moldova. Each representative office has a warehouse for products, making it possible to deliver the required goods to the client "right here, right now". Every month Evroplast launches new items to expand its product range. Evroplast specialists, together with an architect and a professor of Moscow University of Architecture Boris Sukharev, have created a collection of facade decoration elements based on classical Greek orders. The main principle of the company is the effective combination of financial, human and technical resources for manufacturing diverse polyurethane foam products. The Evroplast concept is meeting demands of consumers who want to purchase high quality domestic products.

Evroplast — Technological Development

The quality of a finished product largely depends on the casting form. Production of such forms is a serious problem for many manufacturers. After almost fourteen years of work, the company specialists have developed a unique technology that enables them to produce casting forms of any configuration. A small facility for the forms' production has turned into a workshop, manufacturing between 30 and 40 forms every month for all cast products made of polyurethane foam (soft parts of furniture, architectural decoration elements).

An occurring problem faced in the production of cast polyurethane foam products is connected with the raw materials usage. As experience shows, procurement of outsourcing components leads to unpredictable results: a change of shrinkage degree of the architectural decoration elements, a change of the soft cast elements rigidity, etc. However, the majority of manufacturers have to purchase components for a variety of reasons, and therefore the quality of the manufactured products suffers. Evroplast solved this problem by creating its own production facilities for components manufacture. Experimental products are made from components produced here, their physical and mechanical characteristics are measured (shrinkage, density, surface rigidity) and the compounding is changed if necessary. This procedure guarantees that the customer will receive products distinguished by the highest quality. At the present time, production facilities for manufacturing of components have also become a workshop, which provides raw materials to all branches of polyurethane foam products manufacturing.

From the day of its foundation, the company has focused on achieving superior quality, dependability and maximum efficiency. Striving to excel in all areas of strategic importance to the company, continuous innovation and applying of groundbreaking, often exclusive technologies, enable Evroplast to remain its leadership in the market and to compete successfully with recognized global companies.

THE ART OF TECHNOLOGY

Production of the architectural decoration elements is a complicated and high-technology process. Historically, architectural decoration elements were made of gypsum, the main advantage of which was the possibility to obtain products of any configuration. With the development of science, new technologies for manufacturing of such products appeared. Architectural decoration elements made of polyurethane foam are the most similar to those made of gypsum.

High density polyurethane foam are absolutely inert and do not interact with the environment. Due to their properties, they are widely used in different spheres, including medicine — such as bone implants. The density of all Evroplast products is 300 kg/m^3 . This is the minimum density at which their production does not require the use of hydrochlorofluorocarbon. In order to obtain lower density products, it is required to use hydrochlorofluorocarbon, which is preserved in the products and also penetrates the room atmosphere in the operating process. Evroplast takes care of its consumers' health and deliberately increases the prime cost of its products (manufacturing of products distinguished by high density), refusing technology that involves applying of dangerous hydrochlorofluorocarbon. Besides, the high density provides lower shrinkage and greater rigidity of the products. It is possible to divide the manufacturing process of the decoration elements of polyurethane foam into several stages.

Manufacturing of Casting Forms for Products

This is one of the crucial stages of the whole production process, as the appearance of the products depends on the casting forms. In contrast to the gypsum technologies, polyurethane foam not only hardens, but also significantly expands, filling all the internal space of the form, while its walls are also under high pressure. Therefore, it is possible to obtain a product that is identical to the form. The form must be very firm. On the other hand, form rigidity results in restriction of possible configurations of the products. The component must be extracted from the solid form and it must not damage it. Many manufacturers face a problem at this stage be

cause they can not cast products with non-standard configurations and complicated patterns. In this case, Evroplast produces forms from carbon; it is a modern material that has a higher density compared to metal. This technology appeared as a result of conversion of military-industrial complex technologies, and it enables the production of extremely solid forms of almost any configuration. Such equipment can survive not less than 50000 casting procedures and provides high reproducibility: cast components practically do not differ from each other. High cost is its only drawback. Not all manufacturers of polyurethane foam products can reproduce the form production from composite materials. The technology of carbon form production is an exclusive development of Evroplast. If the product configuration is rather simple, the form is produced from a piece of metal using special multi-axis boring machines.

Preparation of the Raw Materials

Production of polyurethane foam is a complicated process and nevertheless, there are many unexplored facts related to it. For example, the same raw materials can have different results when different types of equipment are used. It is known that one batch of raw materials can slightly differ from another. Sometimes the difference is not significant, but often such differences cause considerable changes in the properties of the finished products. Our laboratory of component production enables us to avoid such problems. Evroplast laboratory's specialists provide incoming control of all raw materials used for production of components, and on the basis of its results, the Production Department corrects its compounding.

Production of Decoration elements

Evroplast uses the most modern equipment of leading global companies for manufacturing its products: CANNON, KRAUSMAFFEL, SIEMENS, ABB. Firstly, it enables us to automate the process of component mixing and dosing; each machine unit is equipped with a powerful computer with programs for each product casting, which excludes negative influence of the human factor. Secondly, all machine units are equipped with modern devices that enable us to provide precise dosing of the components and to support that proportion for a long period of time. The architectural decoration elements differ from each other by weight, size and configuration. Special equipment and settings of the production process organization are required for some of the components. For example, a high capacity dispensing machine is required for casting of large and elongated parts, such as columns, but the machines distinguished by low capacity and high dosing accuracy are required for casting of the decoration elements. In order to achieve the highest quality of the products, there are 4 casting zones at the Evroplast plant that provide optimal conditions for the production of various components.

Final product touches

Overall dimensions of the components upon casting differ from one another but all Evroplast products are compatible with the rest. The high level of compatibility of the components with each other upon casting is achieved by means of additional precision processing. Profiles of two similar components match each other precisely, and if a part of any size is cut from any product part,

the profiles of two remaining parts will also match each other precisely. Evroplast technicians take into account inertness of polyurethane foam. If no special measures are taken, it won't be possible to glue and paint the finished material (glue and paint will not penetrate; the glue does not dissolve the surface layer). During the mechanical processing a surface that is specially prepared for gluing is created on the inner side. Before the products are painted they are covered with a special polyurethane foam coating that is distinguished by its good adhesion to polyurethane foam products, and paint spreads well on their surface.

Quality Control

At all stages of the production process, independent full outgoing and incoming quality control is conducted.

Evroplast constantly improves its polyurethane foam production technologies, discovering innovative solutions, and offering its customers products, quality and consumer properties of which compare favorably to products represented in the catalogues of other companies.

ADHESIVE

We are Evroplast, a manufacturer of architectural decorative elements, and we present our line of innovative adhesives designed for various uses.

Our adhesives are designed for mounting decorative elements made of foam polyurethane onto walls and ceilings, bonding joints of the elements, and fixing broken details of production sites and households.

Evroplast Multipurpose: Excellent characteristics of this adhesive make mounting foam polyurethane elements onto walls and ceilings even easier because the items do not need additional support.

Evroplast Adhesive for bonding joints is designed to glue foam polyurethane elements together: it hardens without expansion, it is easy to remove if some excessive glue shows up, and it gives you an opportunity to adjust the position of the item within 30 minutes of installation.

Familiarize with manuals on the unit package and in the catalogue before proceed to work.



MULTIPURPOSE ADHESIVE
290 ml



ADHESIVE FOR BONDING JOINTS
60 ml

entablements

cornices	12
friezes	60
architraves	72

cornices

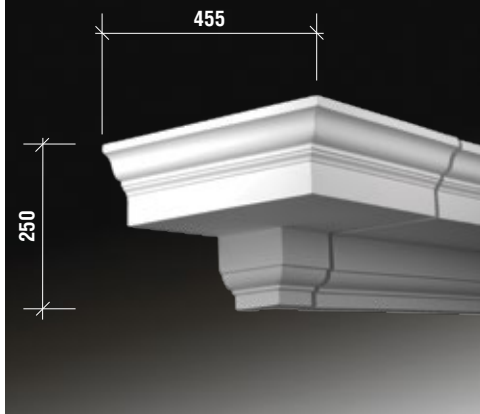
4.01.101 cornice

cornice length 2 meters
combined with Mutule **4.05.101**

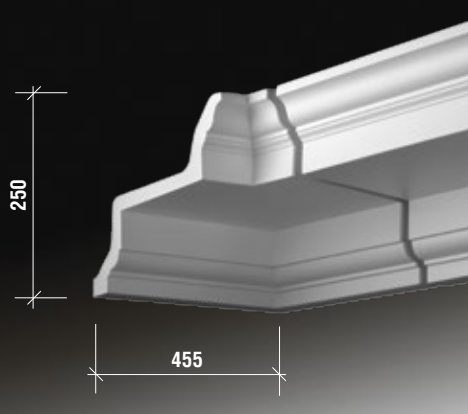


dimensions in millimeters

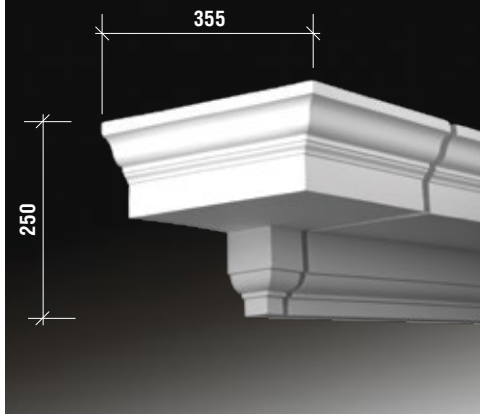
4.01.111 external angle joint element



4.01.121 internal angle joint element

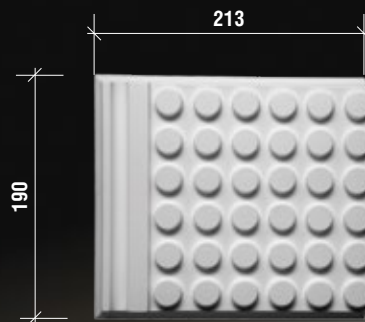


4.01.131 end element



4.05.101 mutule

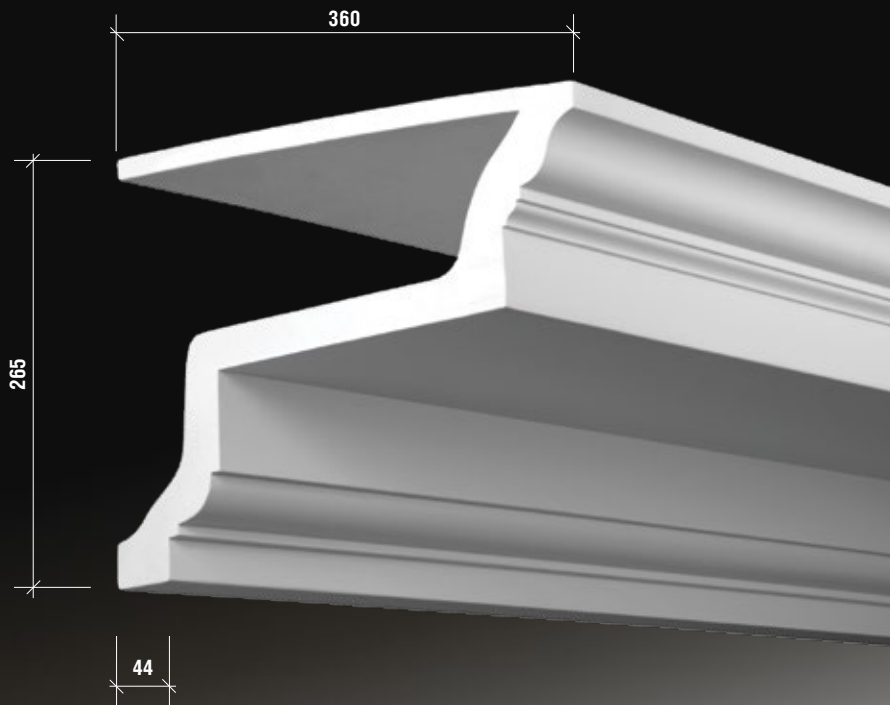
Mutule depth 62 mm



cornices

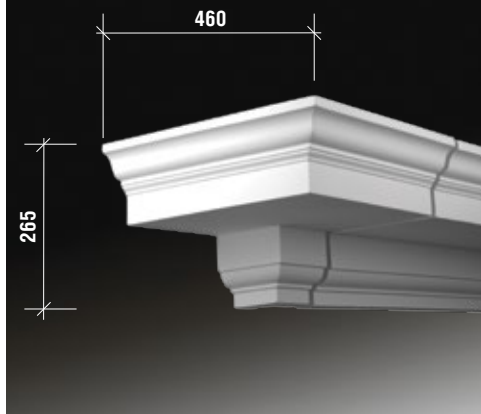
4.01.103 cornice

cornice length 2 meters
combined with Mutule **4.05.101**

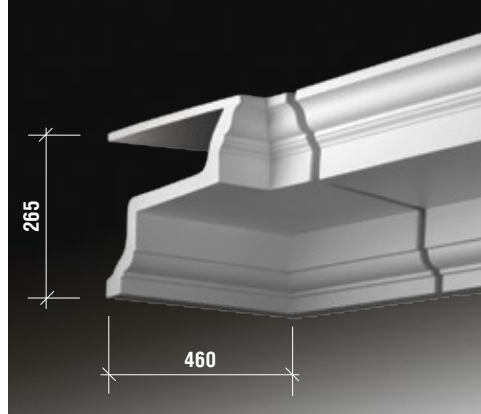


dimensions in millimeters

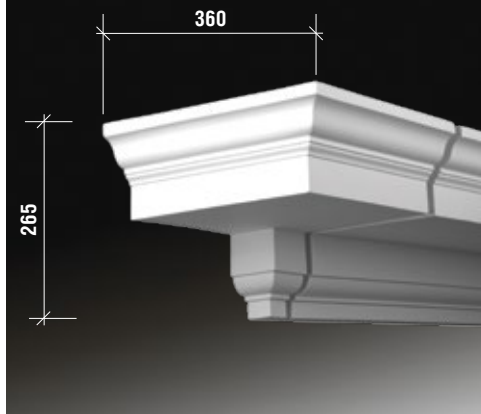
4.01.113 external angle joint element



4.01.123 internal angle joint element

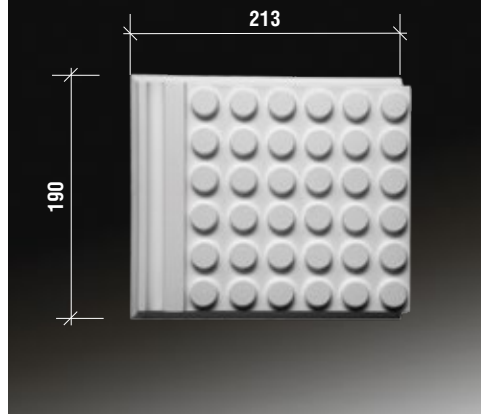


4.01.133 end element



4.05.101 mutule

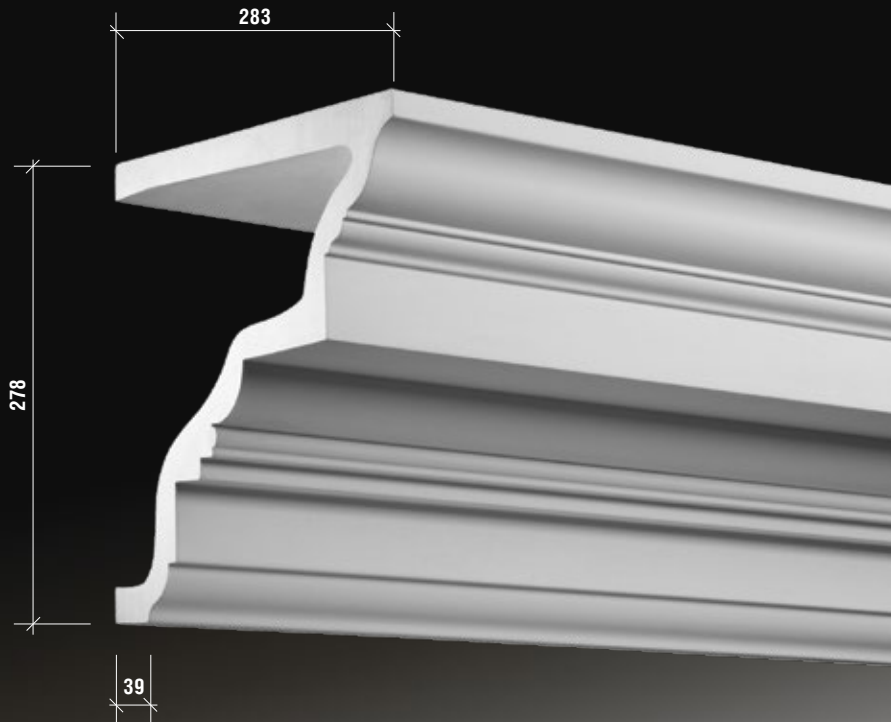
Mutule depth 62 mm



cornices

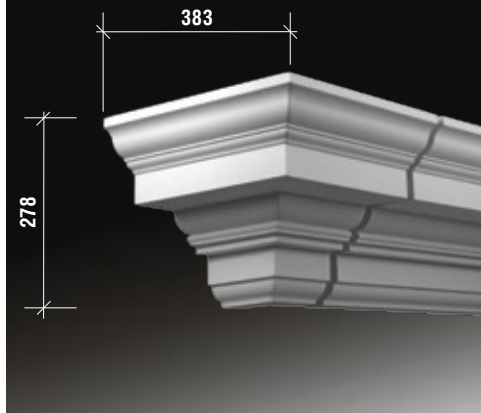
4.01.201 cornice

cornice length 2 meters

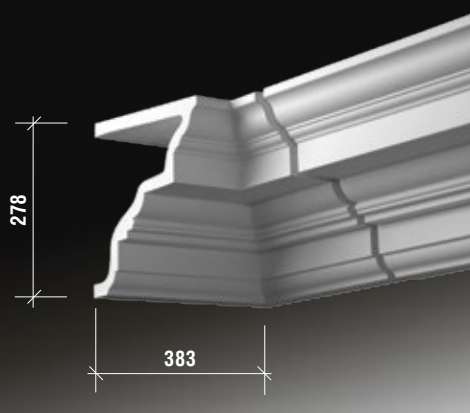


dimensions in millimeters

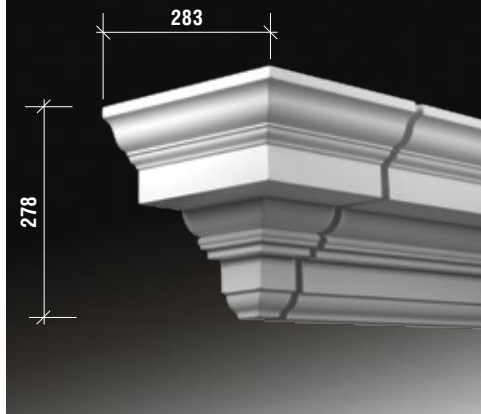
4.01.211 external angle joint element



4.01.221 internal angle joint element



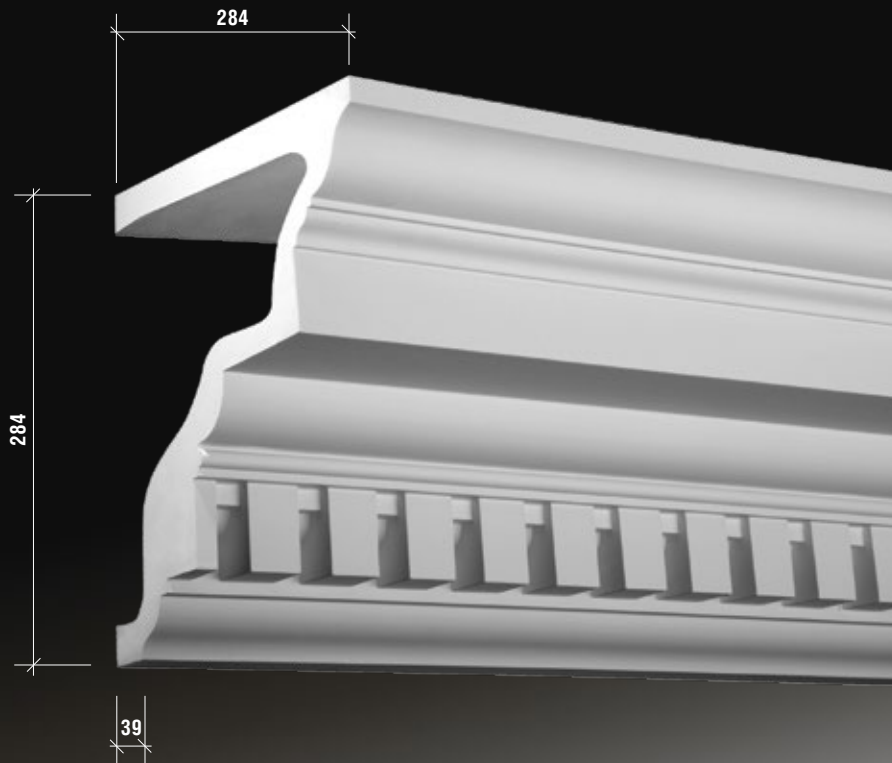
4.01.231 end element



cornices

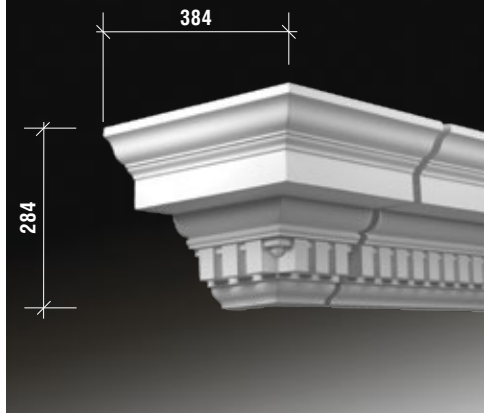
4.01.202 cornice

cornice length 2 meters

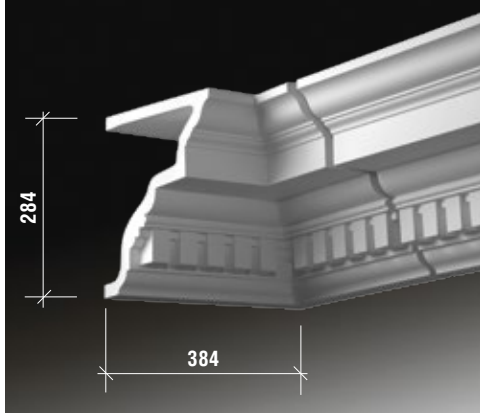


dimensions in millimeters

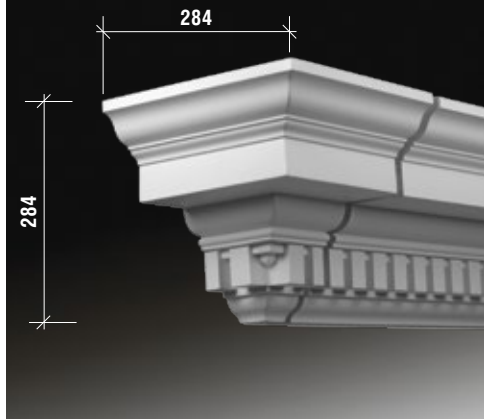
4.01.212 external angle joint element



4.01.222 internal angle joint element



4.01.232 end element



cornices

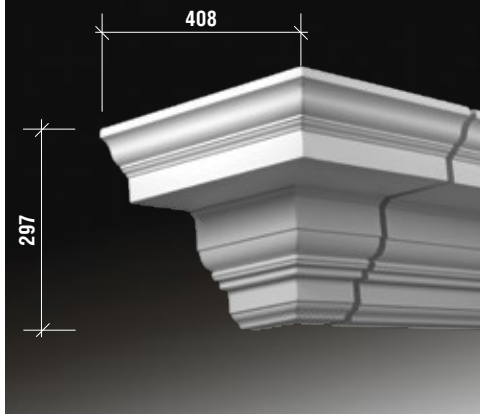
4.01.301 cornice

cornice length 2 meters
combined with Modillion **4.08.301**

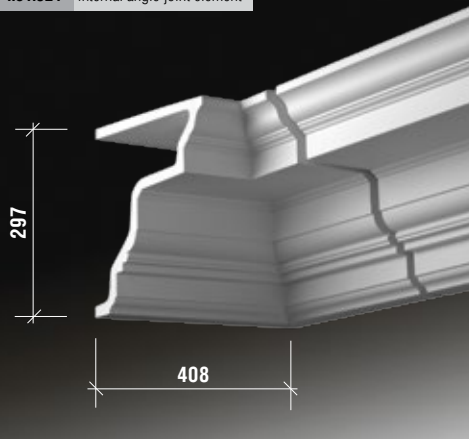


dimensions in millimeters

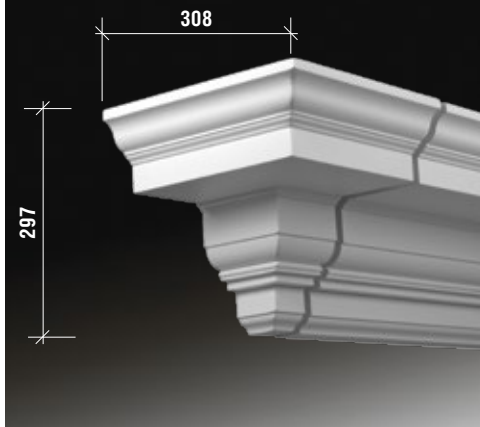
4.01.311 external angle joint element



4.01.321 internal angle joint element

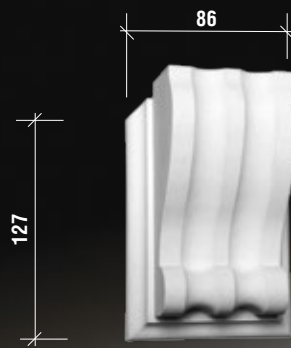


4.01.331 end element



4.08.301 Modillion

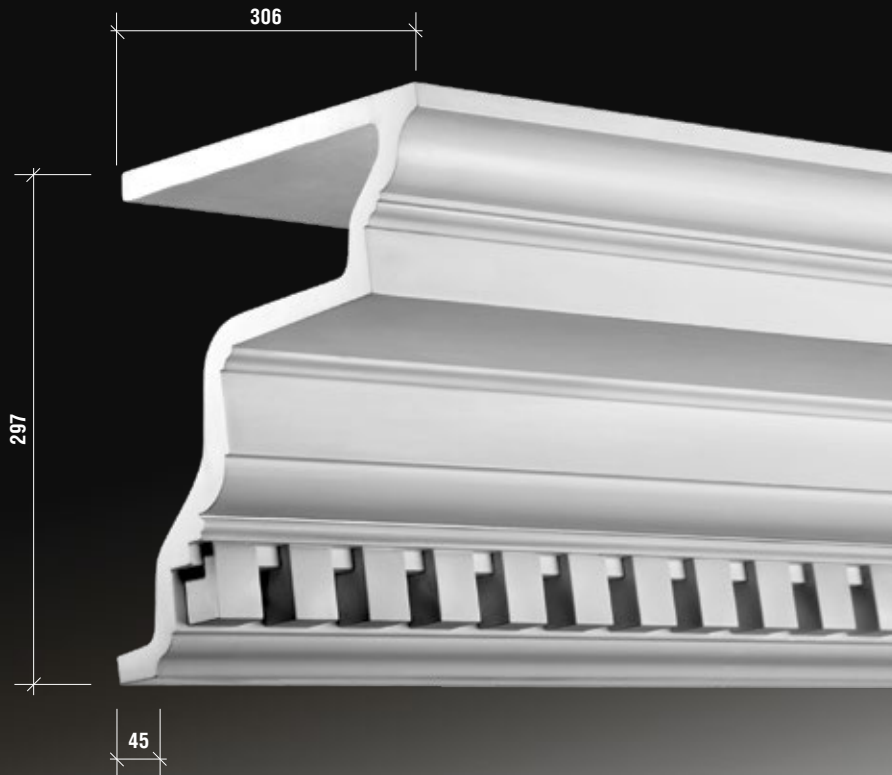
Modillion depth 54 mm



cornices

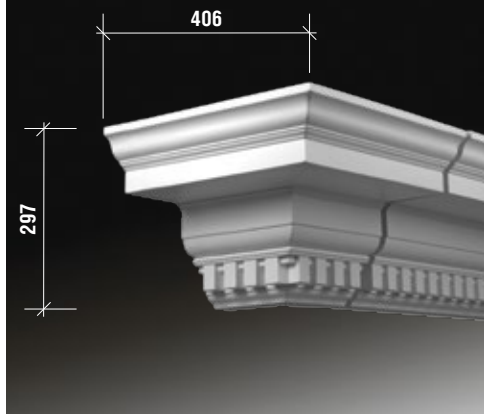
4.01.302 cornice

cornice length 2 meters
combined with Modillion **4.08.301**

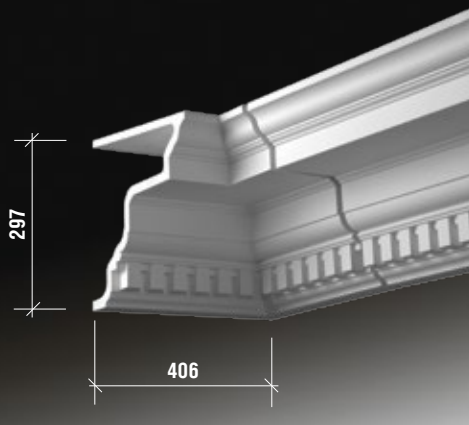


dimensions in millimeters

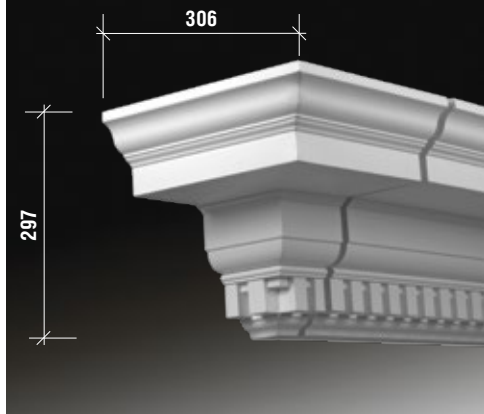
4.01.312 external angle joint element



4.01.322 internal angle joint element

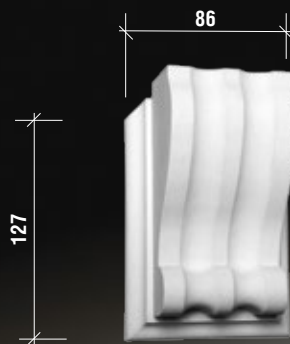


4.01.332 end element



4.08.301 Modillion

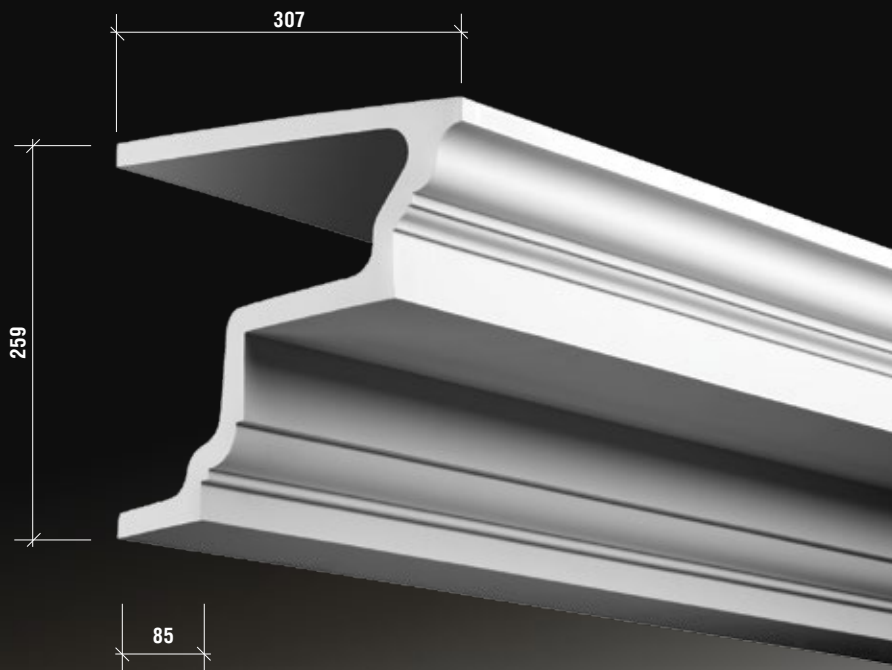
Modillion depth 54 mm



cornices

4.02.101 cornice

cornice length 2 meters
combined with Mutule **4.05.102**

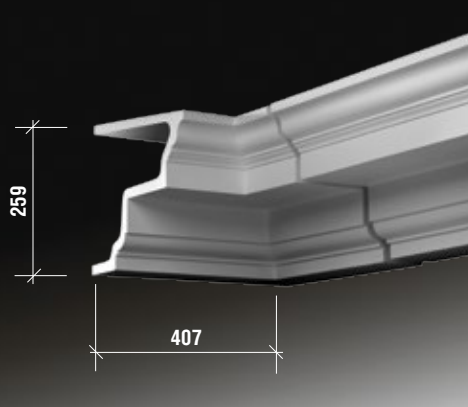


dimensions in millimeters

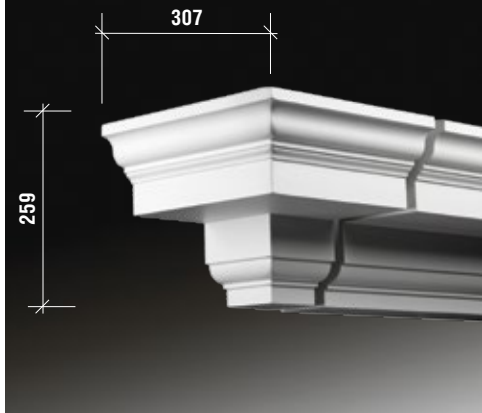
4.02.111 external angle joint element



4.02.121 internal angle joint element

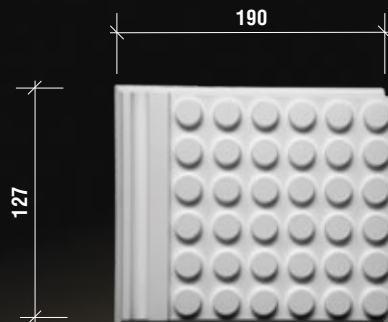


4.02.131 end element



4.05.102 mutule

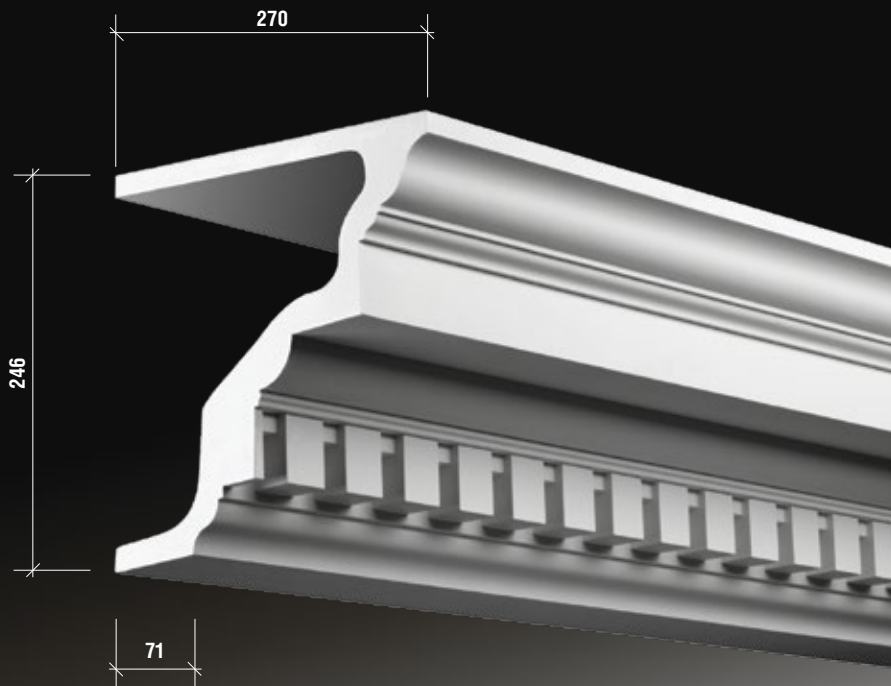
Mutule depth 58 mm



cornices

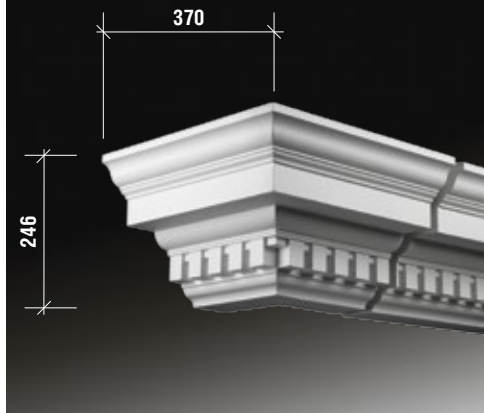
4.02.201 cornice

cornice length 2 meters

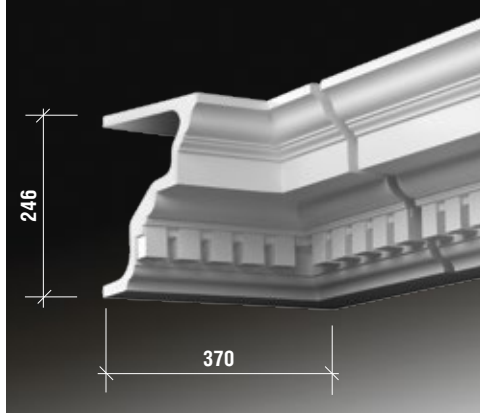


dimensions in millimeters

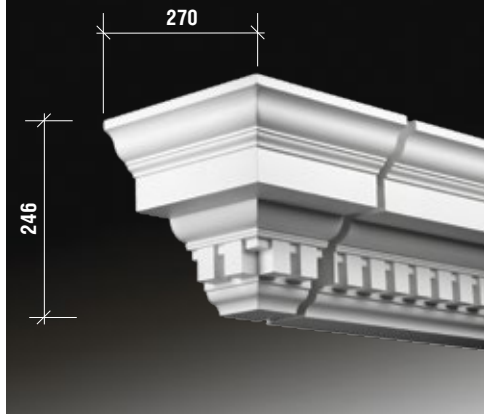
4.02.211 external angle joint element



4.02.221 internal angle joint element



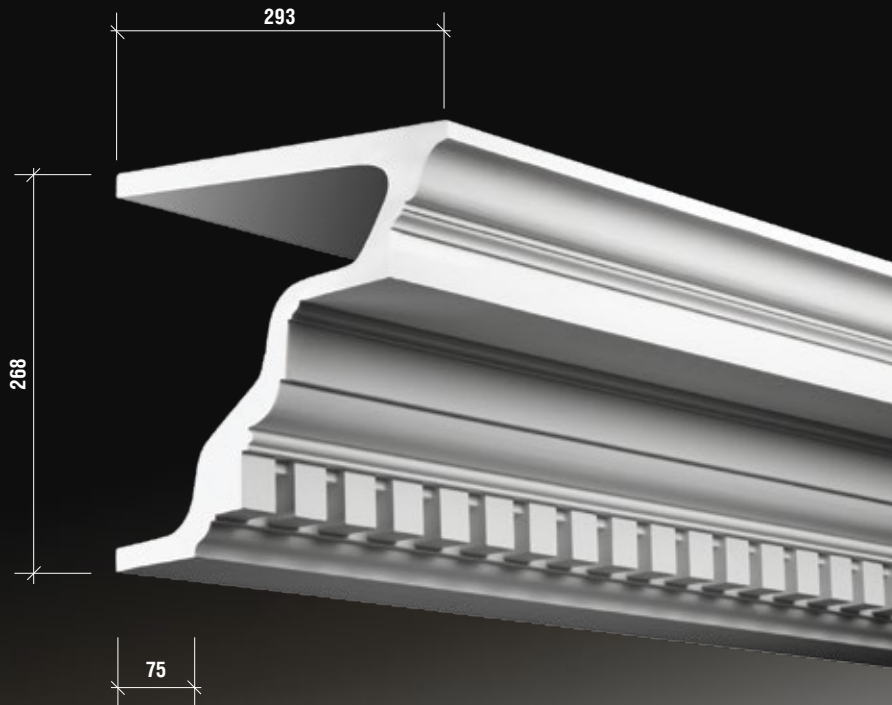
4.02.231 end element



cornices

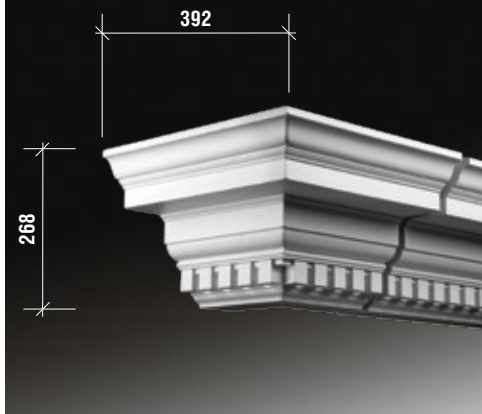
4.02.301 cornice

cornice length 2 meters
combined with Modillion **4.08.302**

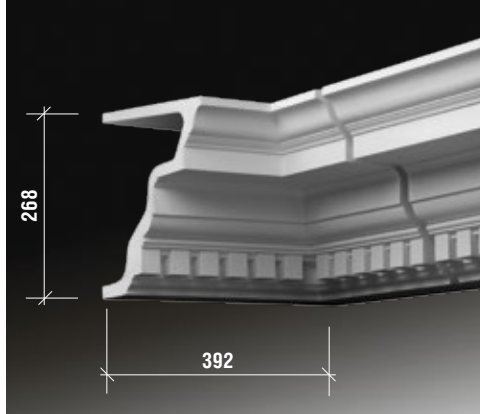


dimensions in millimeters

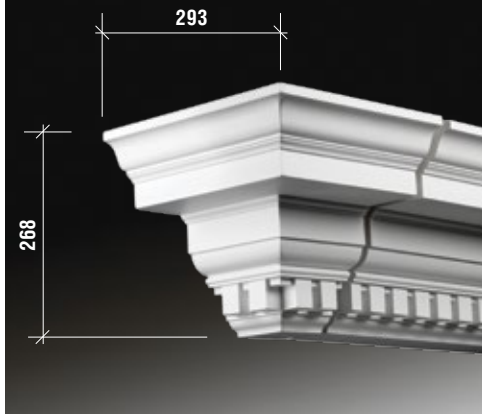
4.02.311 external angle joint element



4.02.321 internal angle joint element

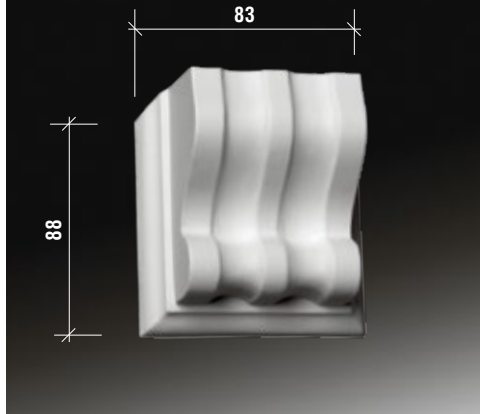


4.02.331 end element



4.08.302 Modillion

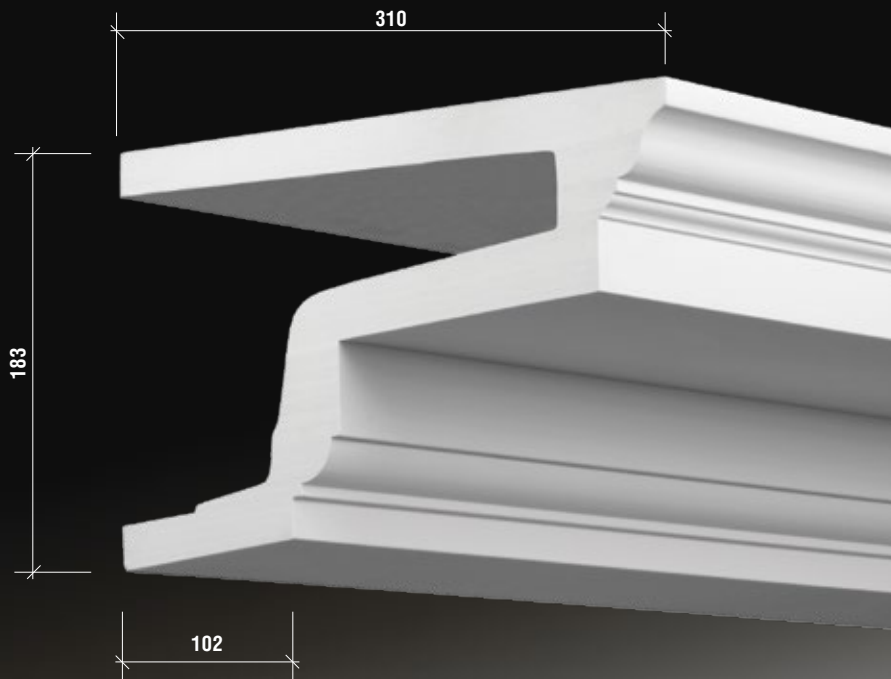
Modillion depth 46 mm



cornices

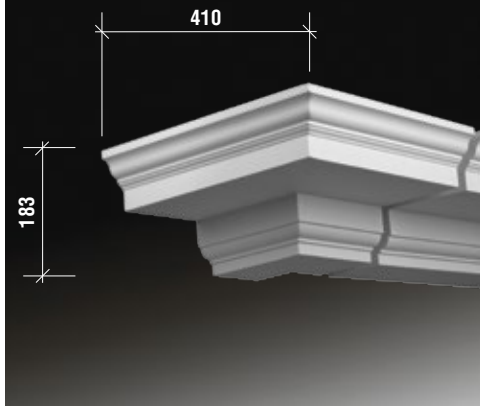
4.31.101 cornice

cornice length 2 meters
combined with Mutule **4.35.101**

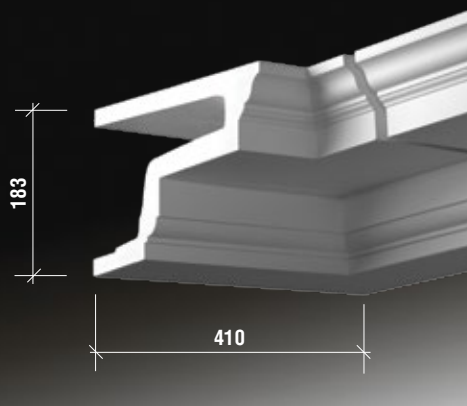


dimensions in millimeters

4.31.111 external angle joint element



4.31.121 internal angle joint element

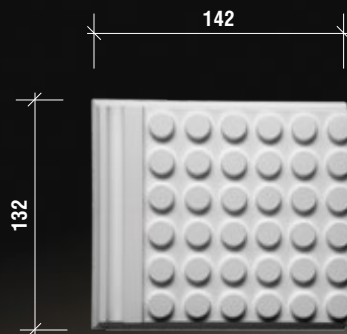


4.31.131 end element



4.35.101 mutule

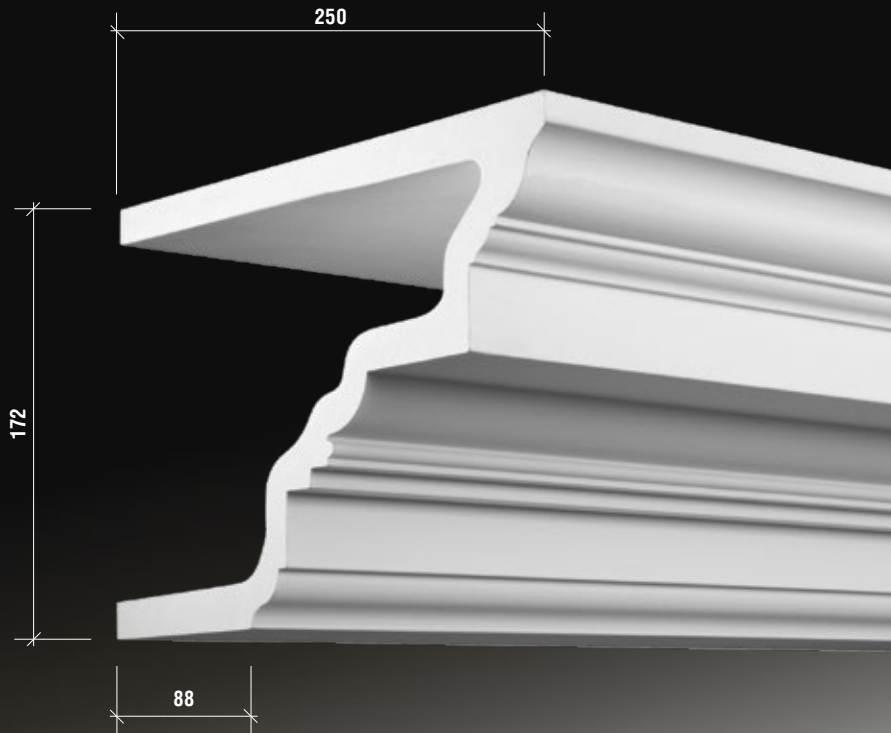
Mutule depth 41 mm



cornices

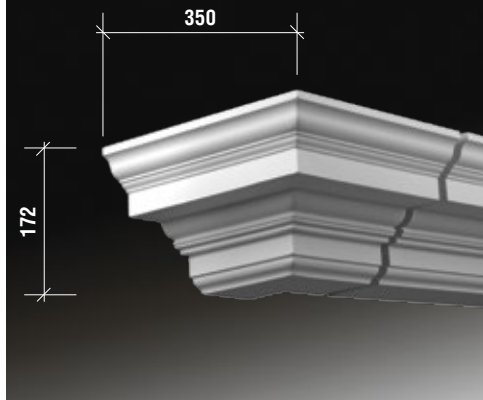
4.31.201 cornice

cornice length 2 meters

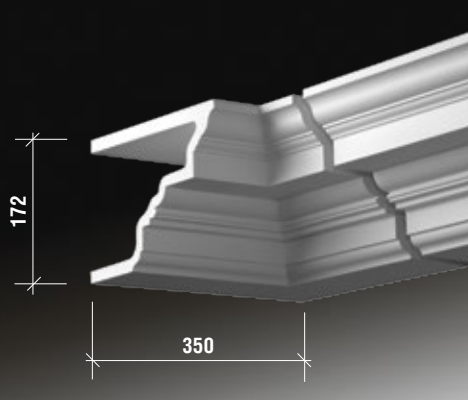


dimensions in millimeters

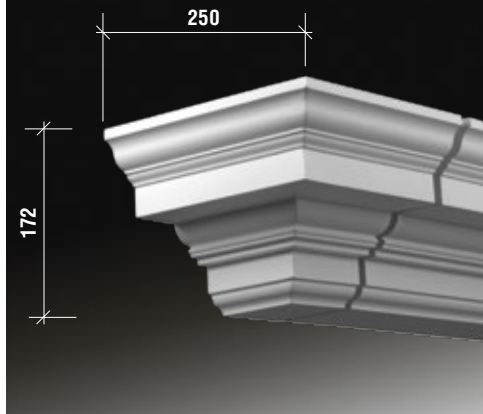
4.31.211 external angle joint element



4.31.221 internal angle joint element



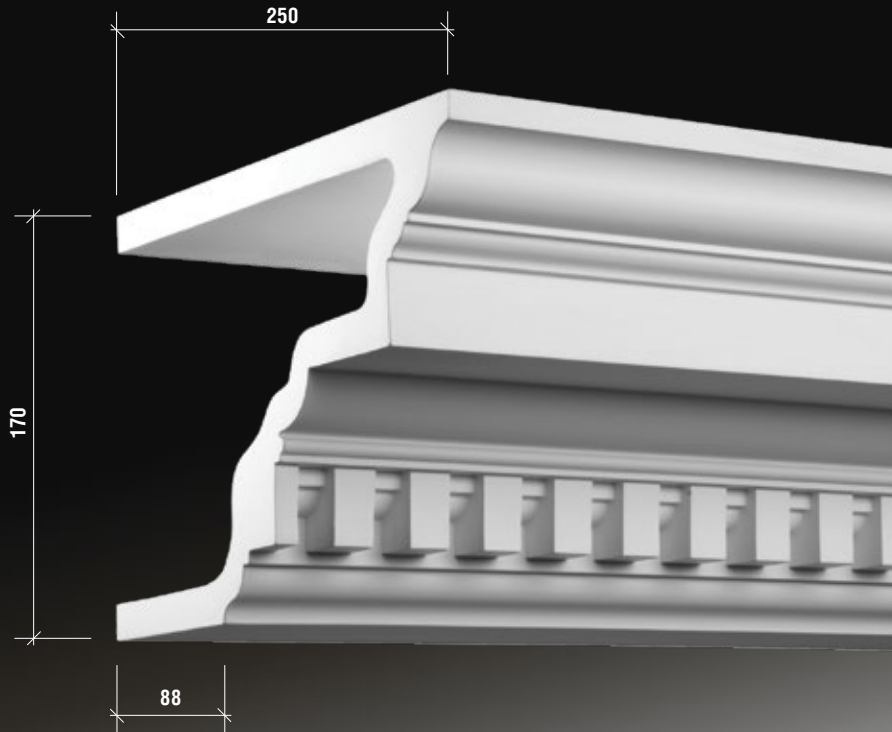
4.31.231 end element



cornices

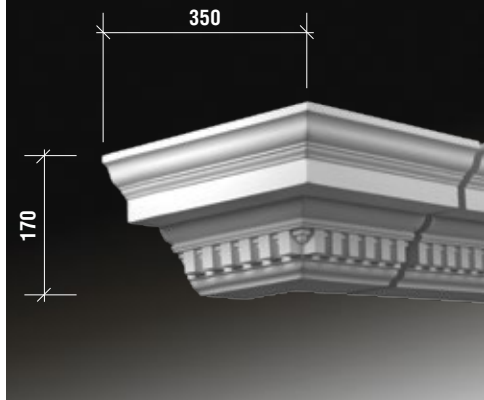
4.31.202 cornice

cornice length 2 meters

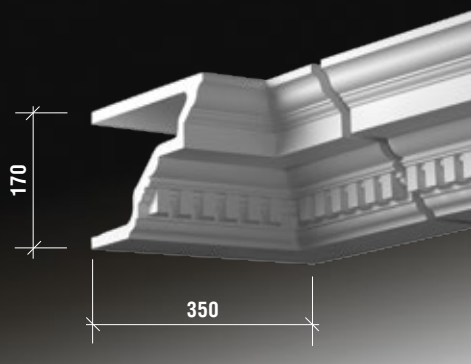


dimensions in millimeters

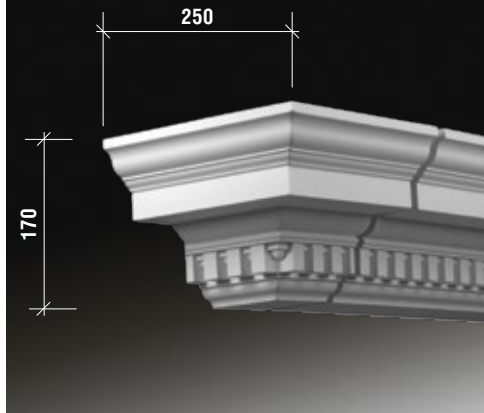
4.31.212 external angle joint element



4.31.222 internal angle joint element



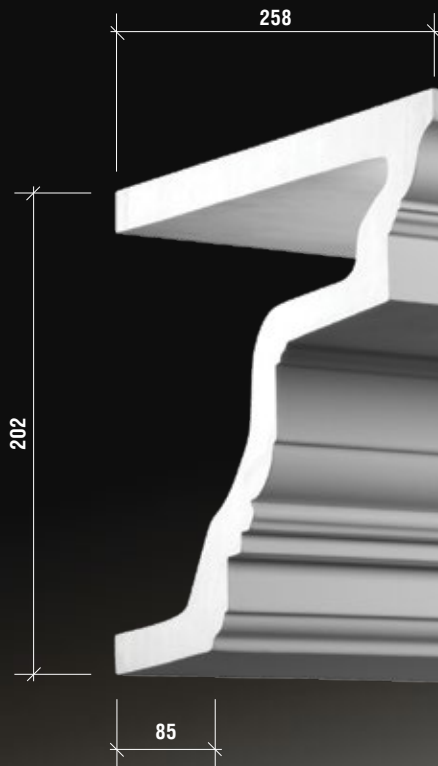
4.31.232 end element



cornices

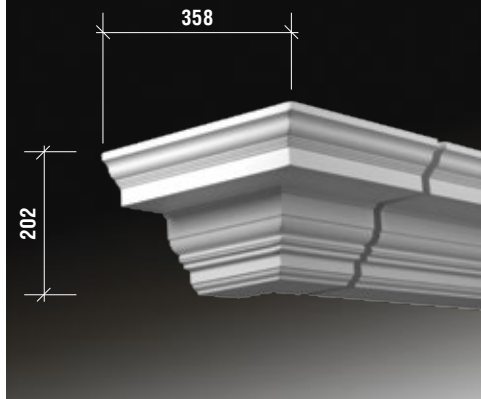
4.31.301 cornice

cornice length 2 meters
combined with Modillion **4.38.301**

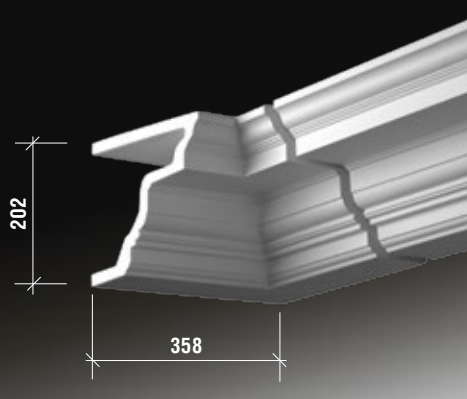


dimensions in millimeters

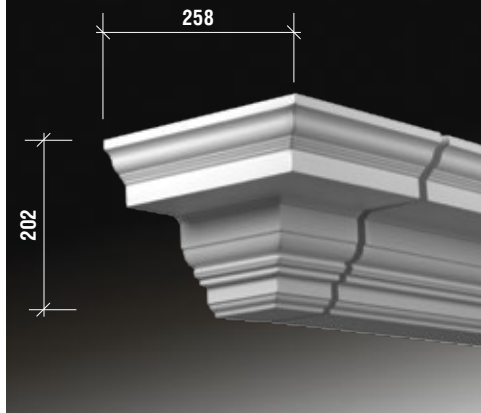
4.31.311 external angle joint element



4.31.321 internal angle joint element

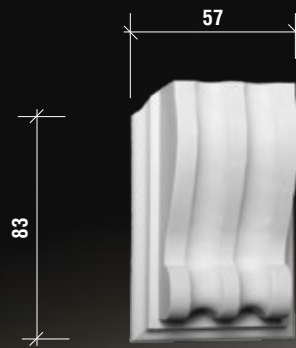


4.31.331 end element



4.38.301 Modillion

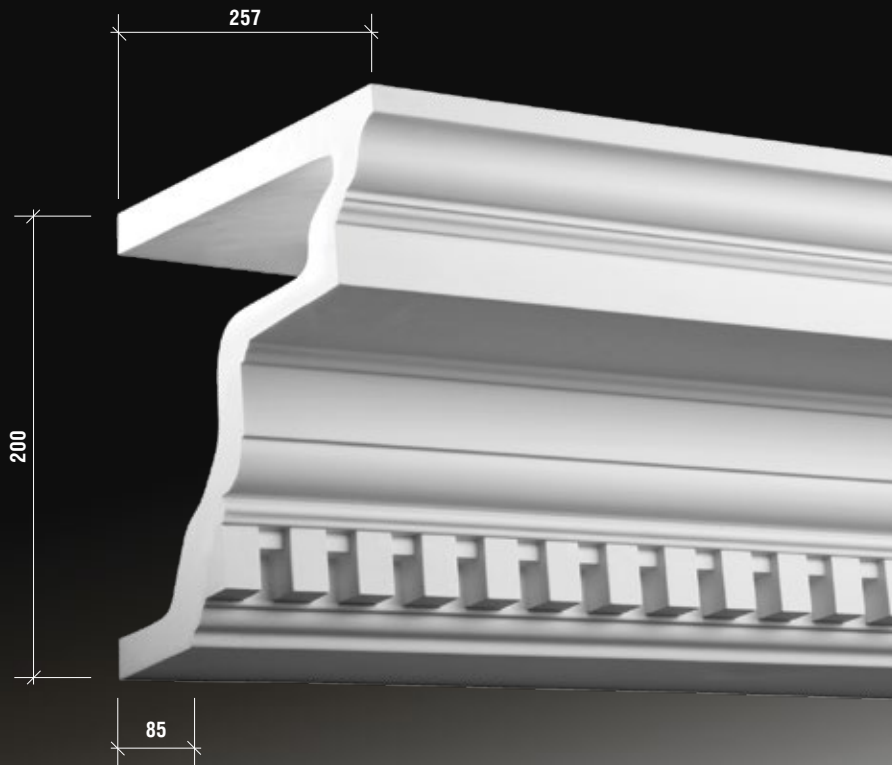
Modillion depth 33 mm



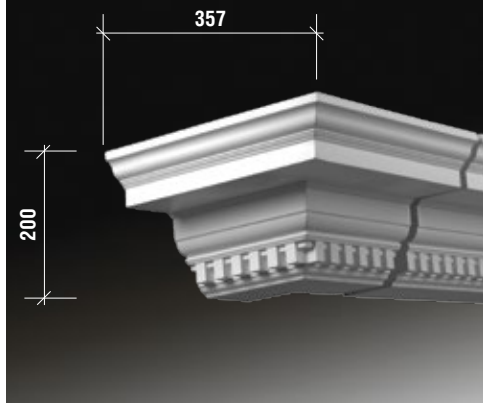
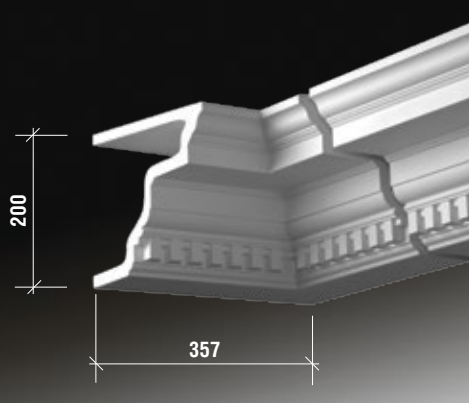
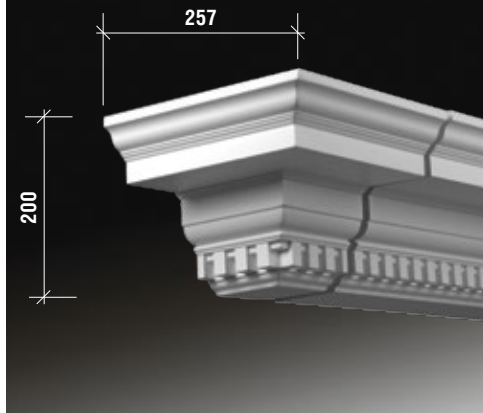
cornices

4.31.302 cornice

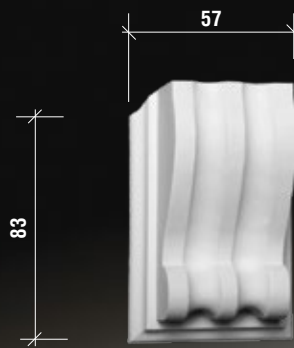
cornice length 2 meters
combined with Modillion **4.38.301**



dimensions in millimeters

4.31.312 external angle joint element**4.31.322** internal angle joint element**4.31.332** end element**4.38.301** Modillion

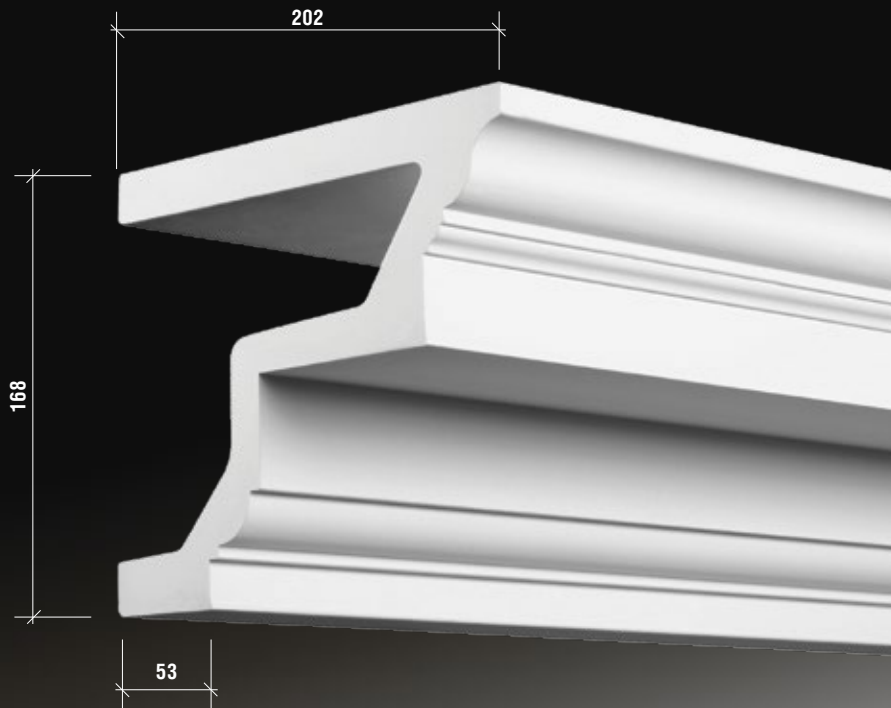
Modillion depth 33 mm



cornices

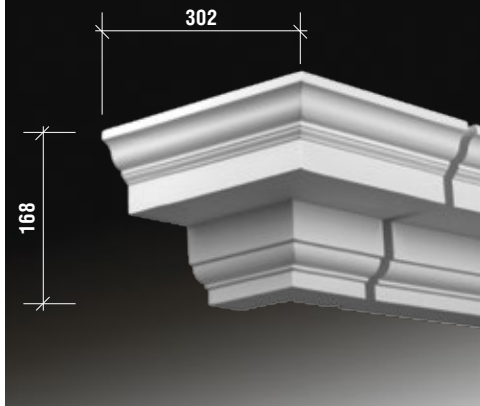
4.32.101 cornice

cornice length 2 meters
combined with Mutule **4.35.102**

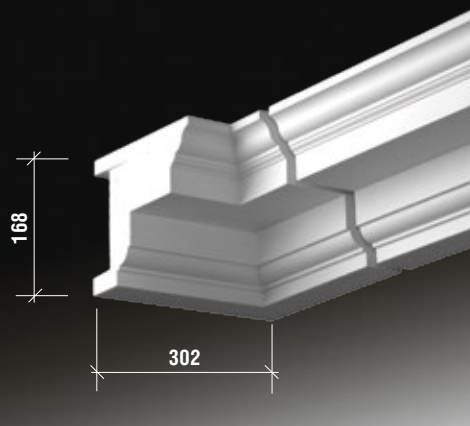


dimensions in millimeters

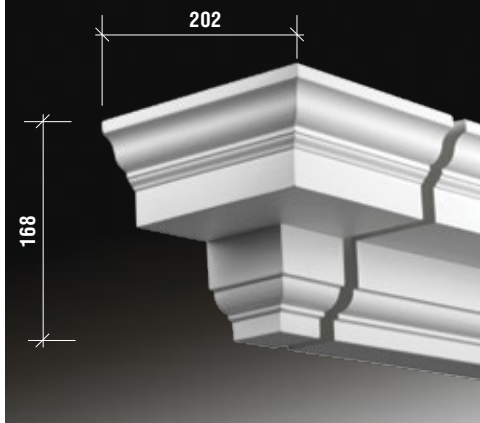
4.32.111 external angle joint element



4.32.121 internal angle joint element

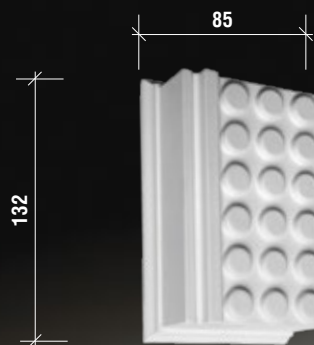


4.32.131 end element



4.35.102 mutule

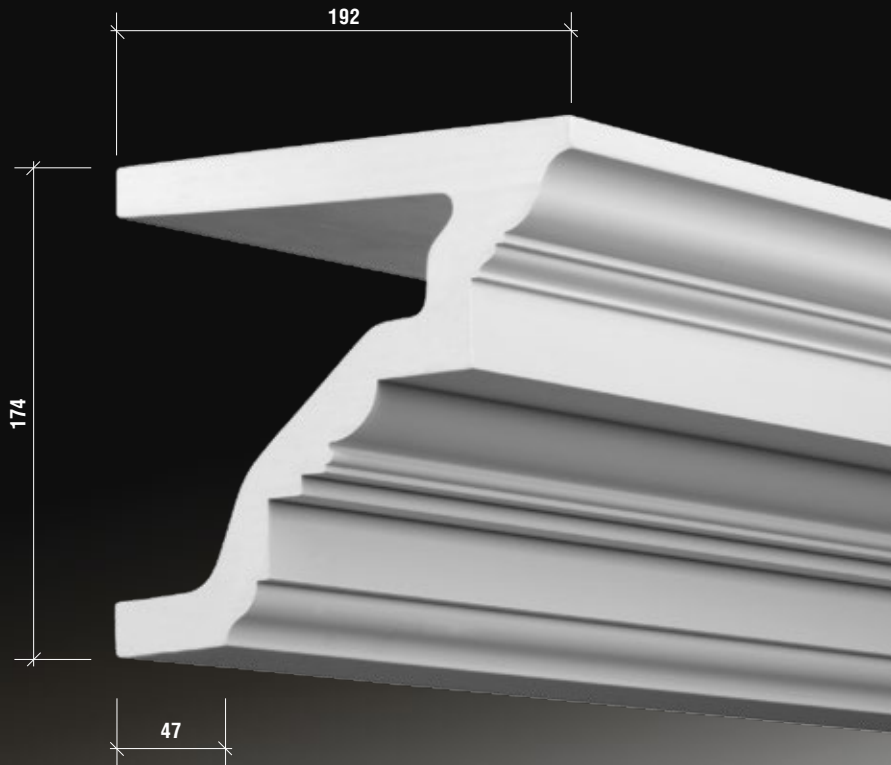
Mutule depth 41 mm



cornices

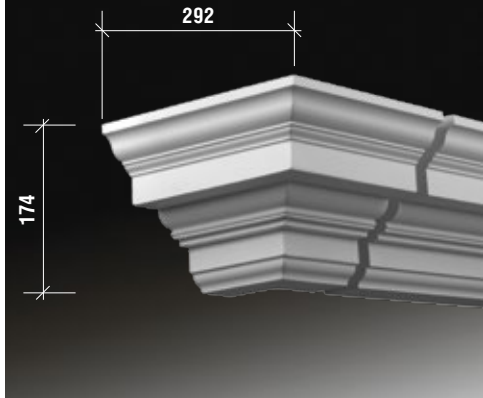
4.32.201 cornice

cornice length 2 meters

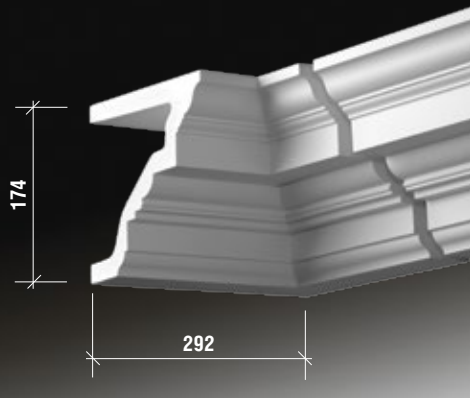


dimensions in millimeters

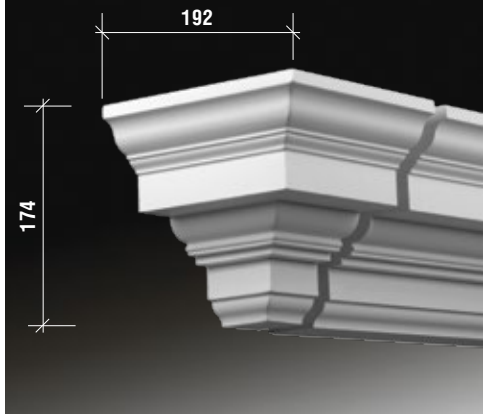
4.32.211 external angle joint element



4.32.221 internal angle joint element



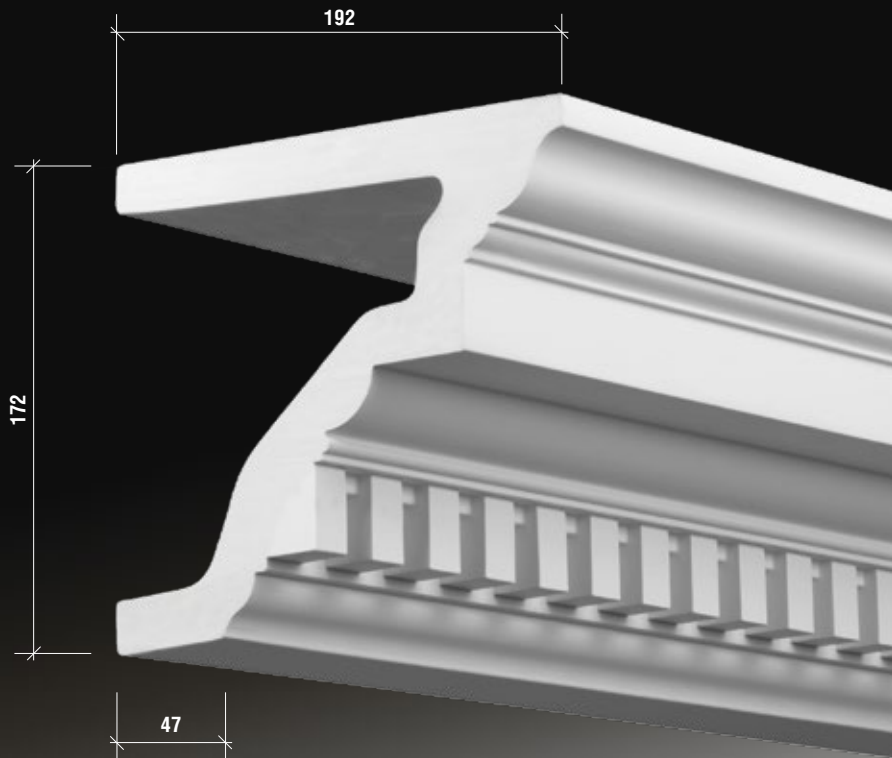
4.32.231 end element



cornices

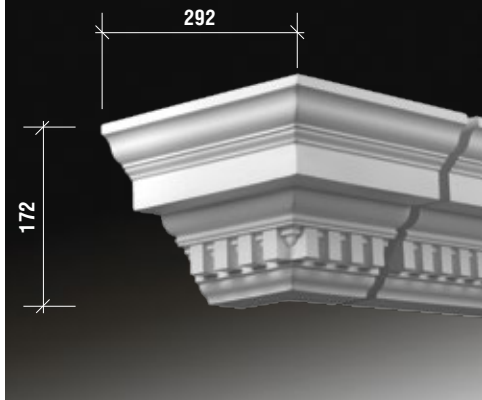
4.32.202 cornice

cornice length 2 meters

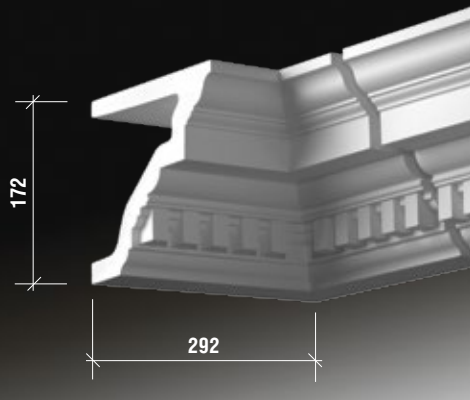


dimensions in millimeters

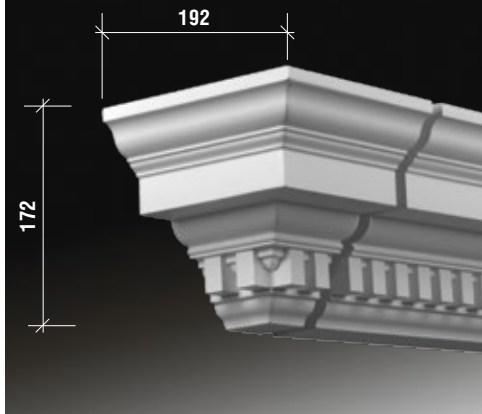
4.32.212 external angle joint element



4.32.222 internal angle joint element



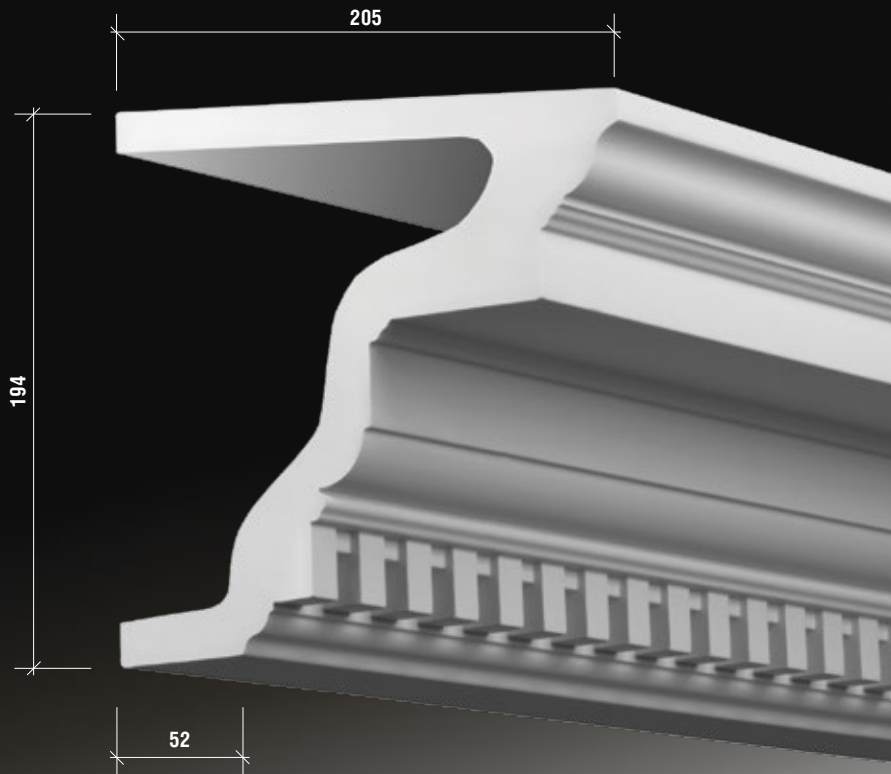
4.32.232 end element



cornices

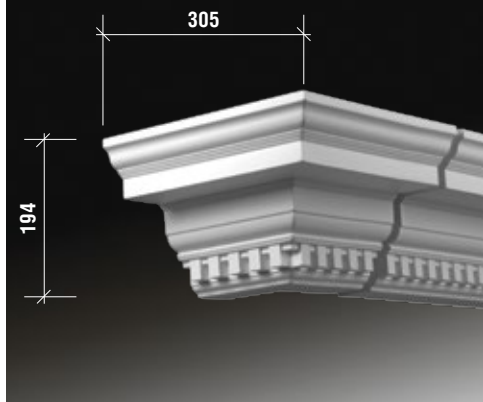
4.32.301 cornice

cornice length 2 meters
combined with Modillion **4.38.302**

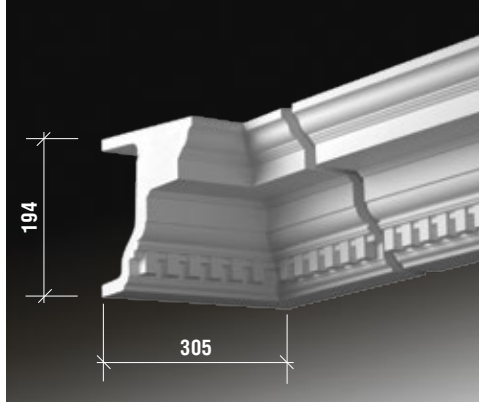


dimensions in millimeters

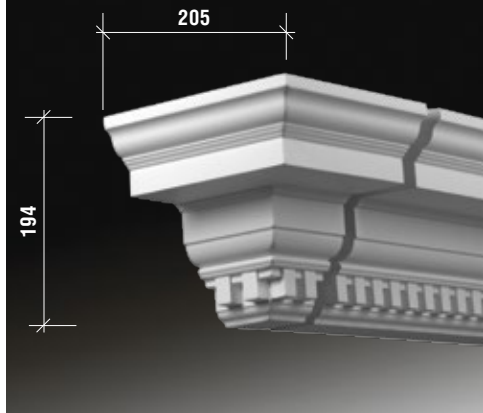
4.32.311 external angle joint element



4.32.321 internal angle joint element

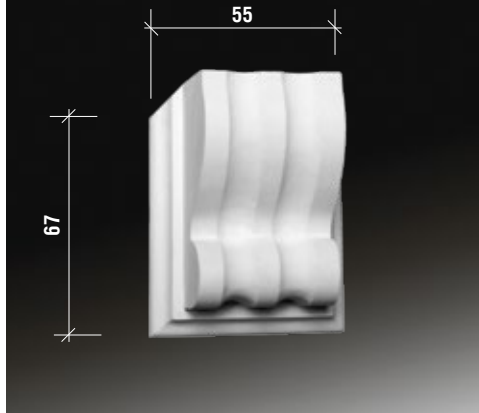


4.32.331 end element



4.38.302 Modillion

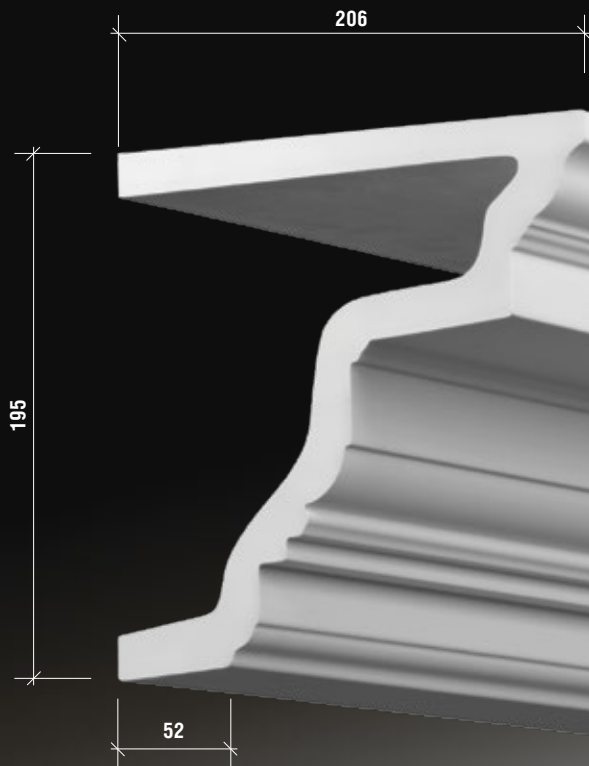
Modillion depth 33 mm



cornices

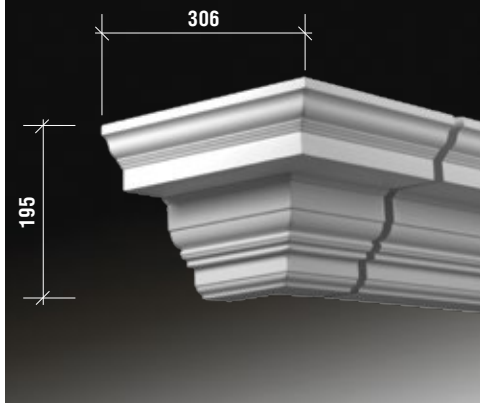
4.32.302 cornice

cornice length 2 meters
combined with Modillion **4.38.302**

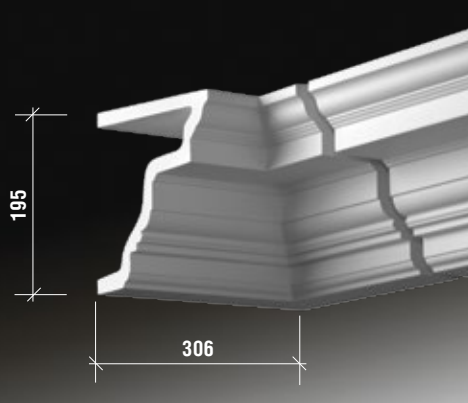


dimensions in millimeters

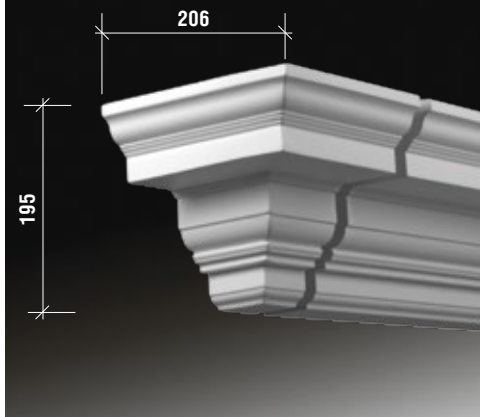
4.32.312 external angle joint element



4.32.322 internal angle joint element

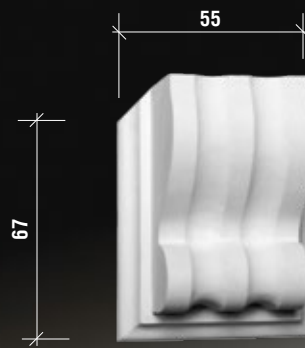


4.32.332 end element



4.38.302 Modillion

Modillion depth 33 mm



cornices

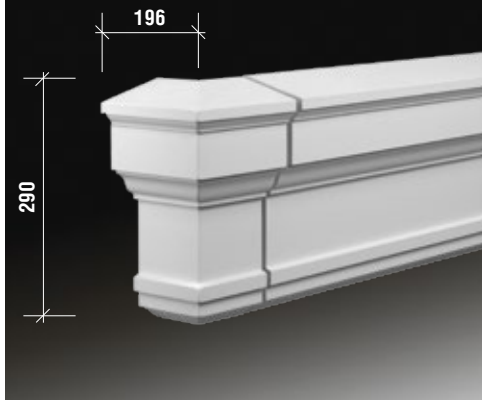
4.81.001 cornice

cornice length 2 meters

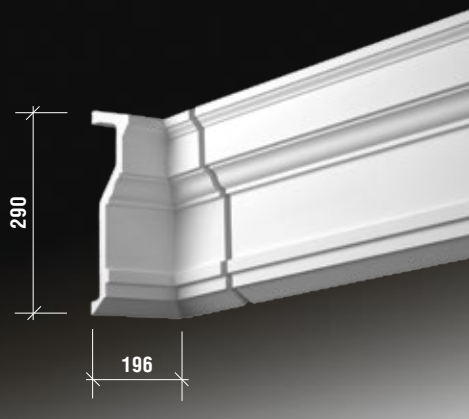


dimensions in millimeters

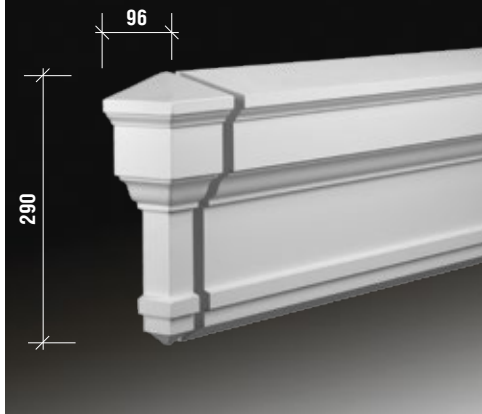
4.81.011 external angle joint element



4.81.021 internal angle joint element



4.81.031 end element



cornices

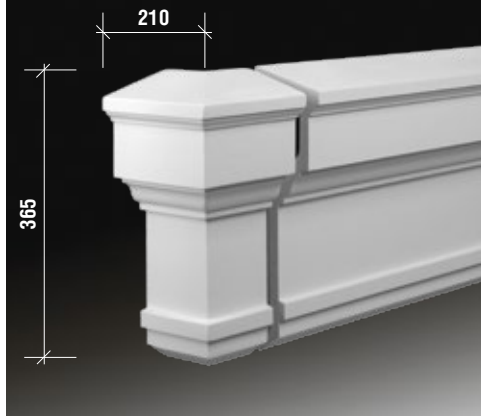
4.81.002 cornice

cornice length 2 meters

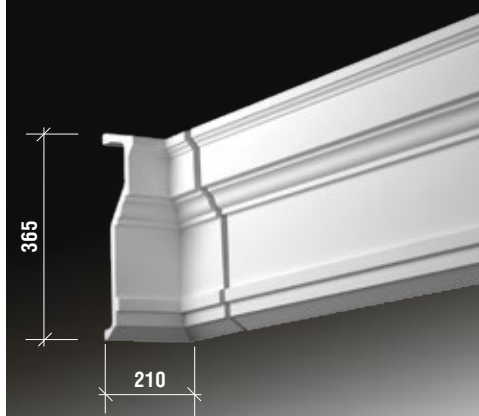


dimensions in millimeters

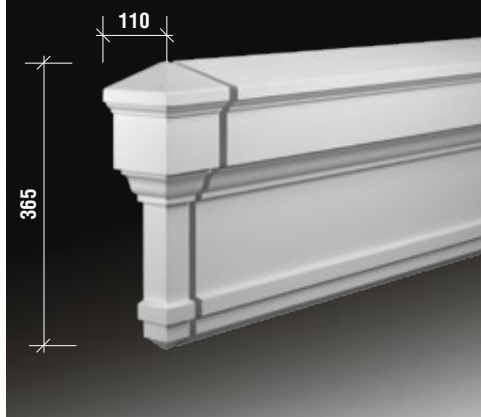
4.81.012 external angle joint element



4.81.022 internal angle joint element



4.81.032 end element



cornices

4.91.001 cornice

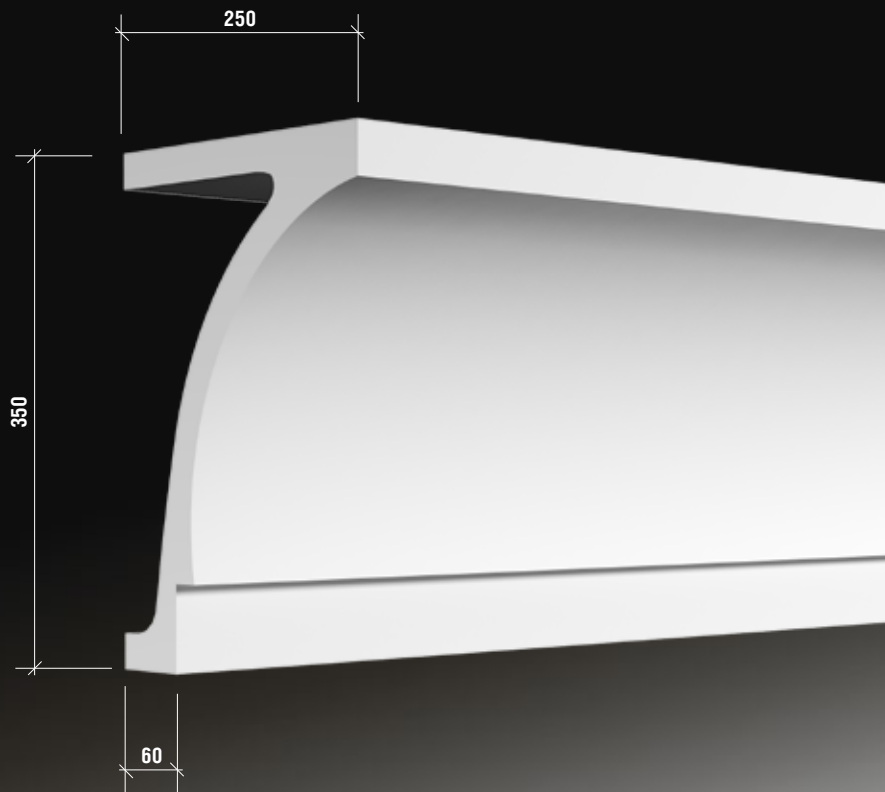
cornice length 2 meters



dimensions in millimeters

4.91.002 cornice

cornice length 2 meters



dimensions in millimeters

cornices

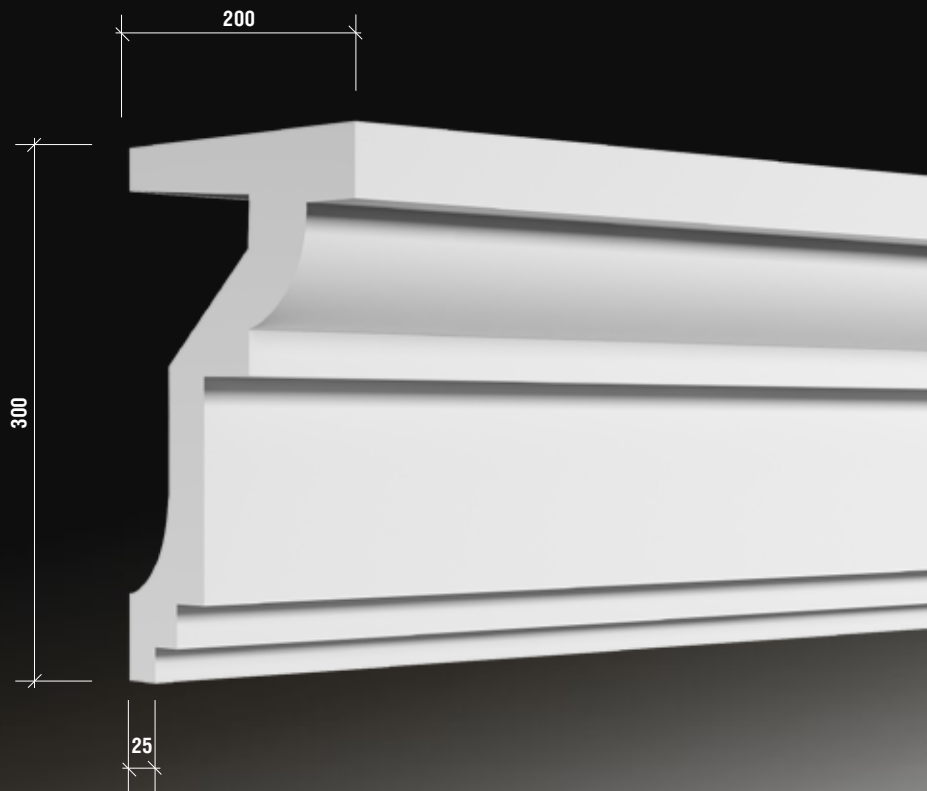
4.91.003 cornice

cornice length 2 meters



dimensions in millimeters

4.91.004 cornice

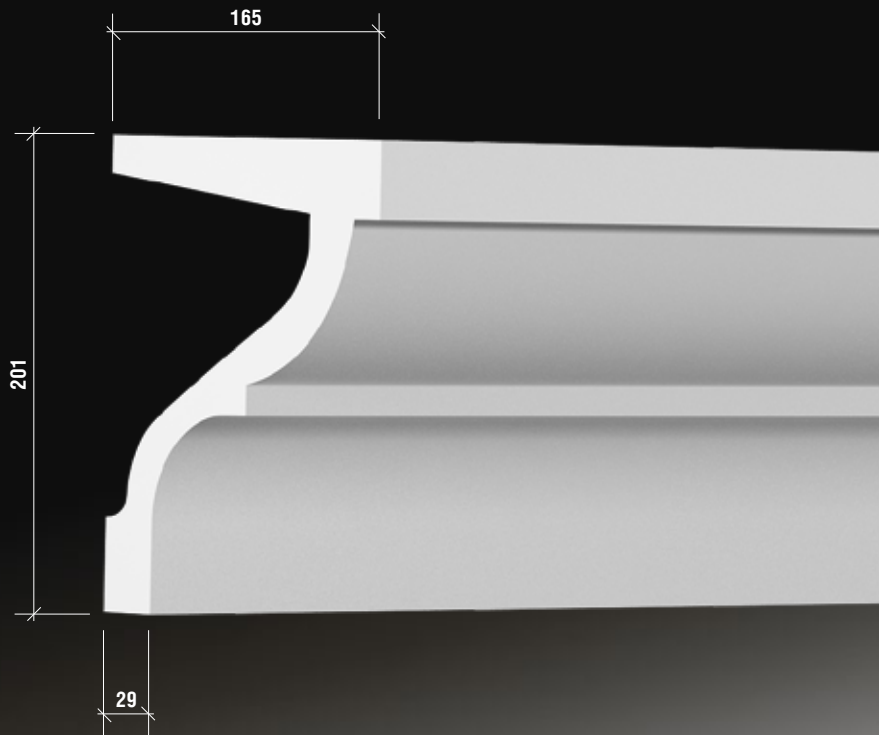


dimensions in millimeters

cornices

4.91.005 cornice

cornice length 2 meters



dimensions in millimeters



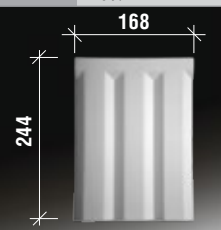
friezes

4.03.101 frieze

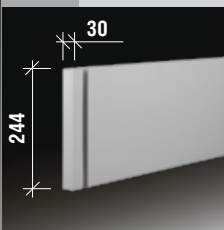
frieze length 2 meters
combined with triglyph 4.06.101



4.06.101 triglyph



4.03.131 end element

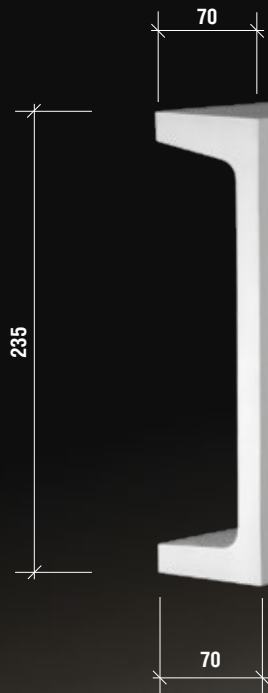


triglyph depth 12 mm

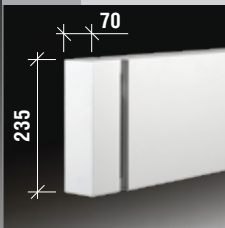
dimensions in millimeters

4.03.102 frieze

frieze length 2 meters



4.03.132 end element



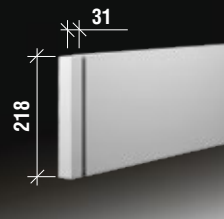
friezes

4.03.201 frieze

frieze length 2 meters



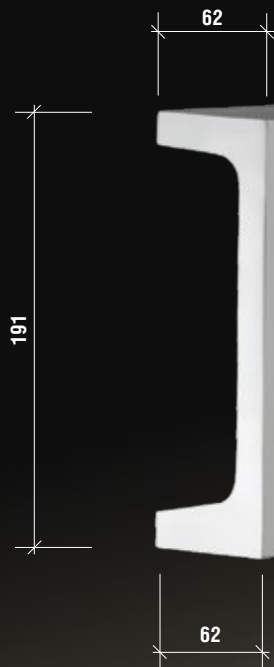
4.03.231 end element



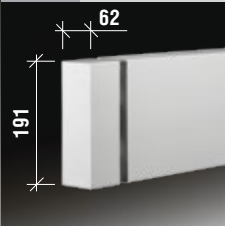
dimensions in millimeters

4.03.202 frieze

frieze length 2 meters



4.03.232 end element



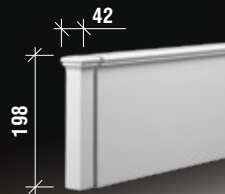
friezes

4.03.301 frieze

frieze length 2 meters



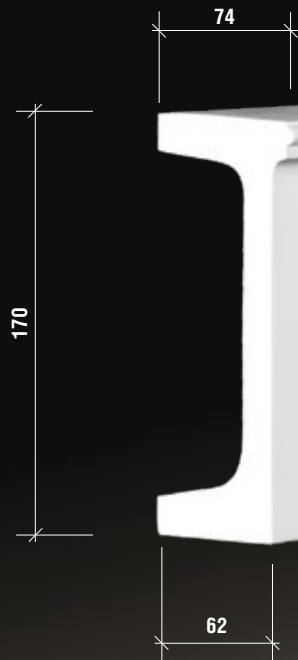
4.03.331 end element



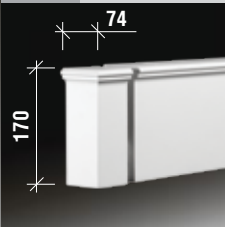
dimensions in millimeters

4.03.302 frieze

frieze length 2 meters



4.03.332 end element



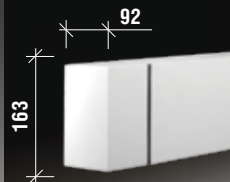
friezes

4.33.101 frieze

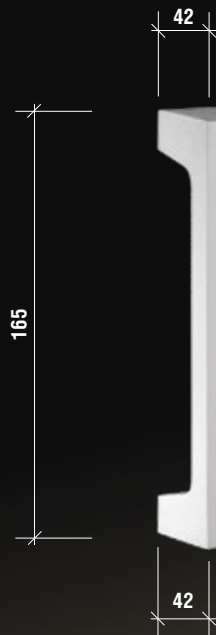
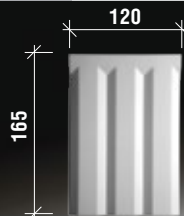
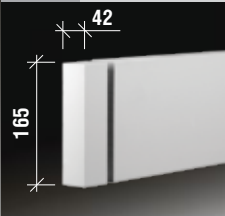
frieze length 2 meters



4.33.131 end element



dimensions in millimeters

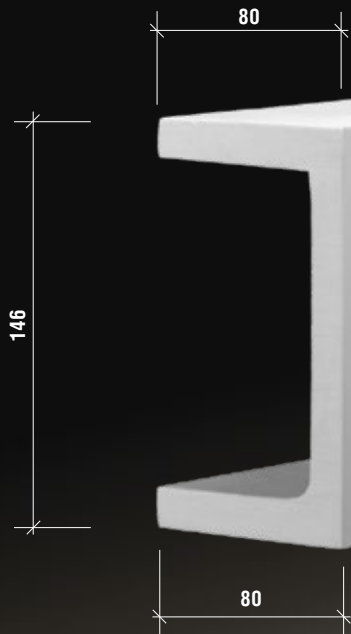
4.33.102 friezefrieze length 2 meters
combined with triglyph **4.36.101****4.36.101** triglyph**4.33.132** end element

triglyph depth 10 mm

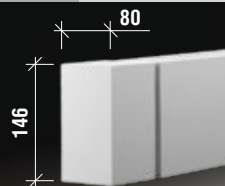
friezes

4.33.201 frieze

frieze length 2 meters



4.33.231 end element



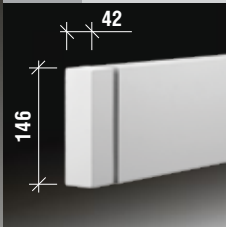
dimensions in millimeters

frieze length 2 meters

4.33.202 frieze



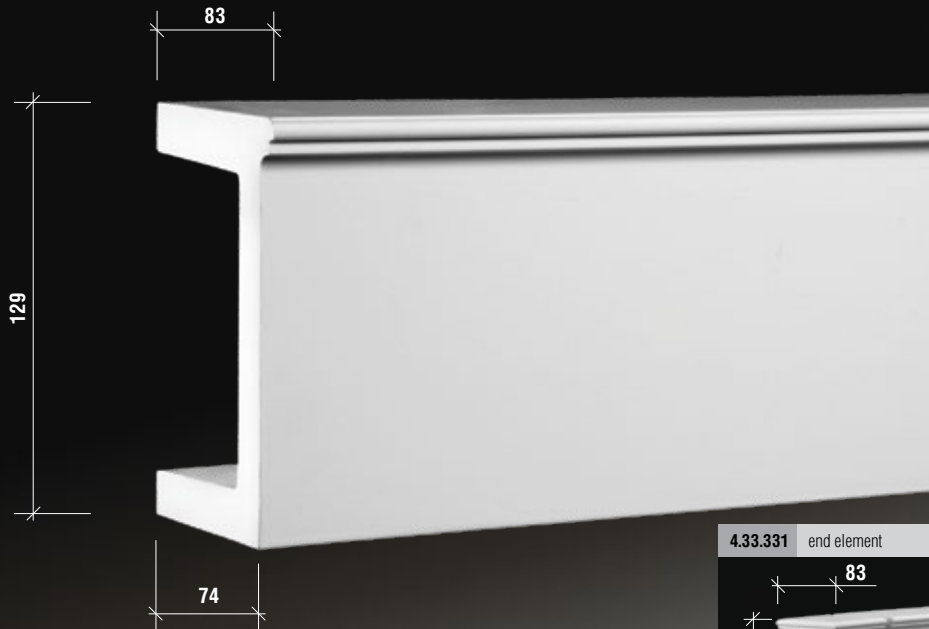
4.33.232 end element



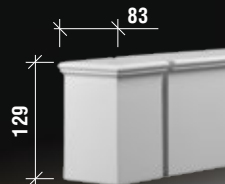
friezes

4.33.301 frieze

frieze length 2 meters



4.33.331 end element



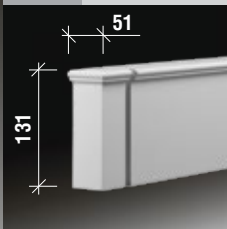
dimensions in millimeters

frieze length 2 meters

4.33.302 frieze



4.33.332 end element



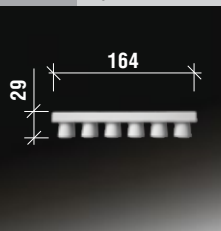
architraves

4.04.101 architrave

architrave length 2 meters
combined with reglet **4.07.101**

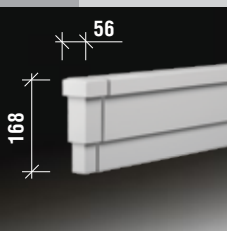


4.07.101 reglet



reglet depth 12 mm

4.04.131 end element

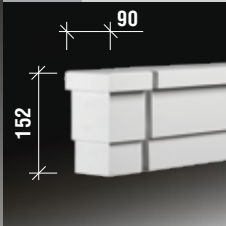


4.04.102 architrave

architrave length 2 meters



4.04.132 end element



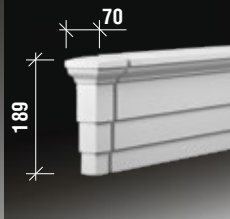
architraves

4.04.201 architrave

architrave length 2 meters



4.04.231 end element

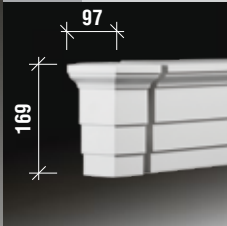


dimensions in millimeters

4.04.202 architrave



4.04.232 end element



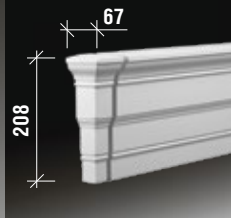
architraves

4.04.301 architrave

architrave length 2 meters



4.04.331 end element



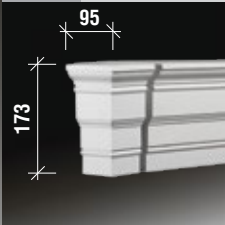
dimensions in millimeters

4.04.302 architrave

architrave length 2 meters



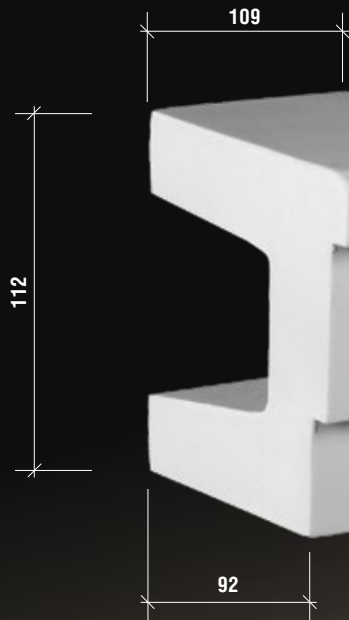
4.04.332 end element



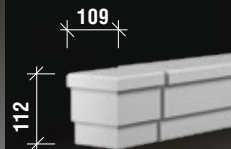
architraves

4.34.101 architrave

architrave length 2 meters



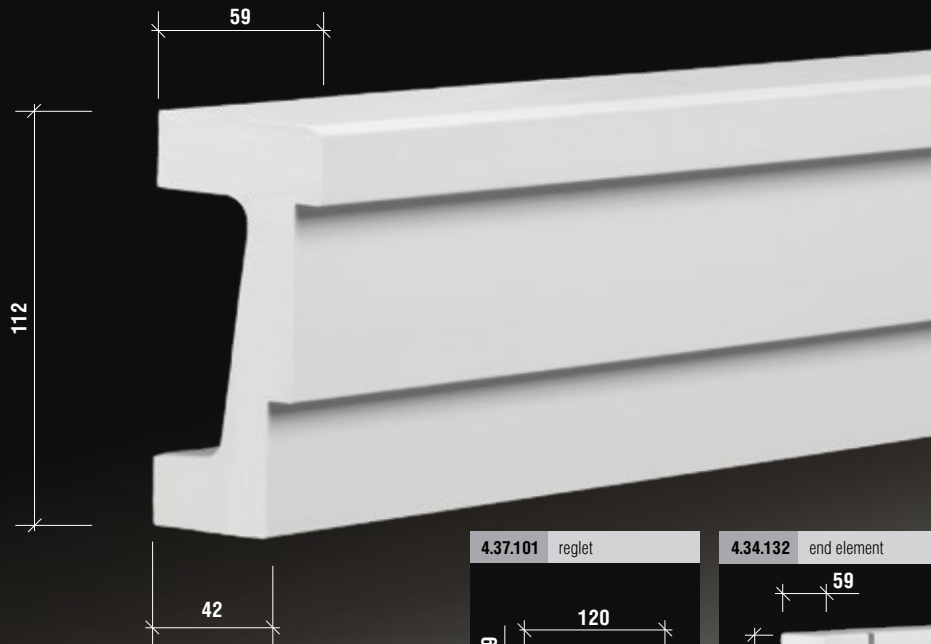
4.34.131 end element



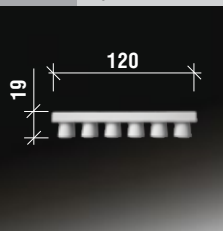
dimensions in millimeters

4.34.102 architrave

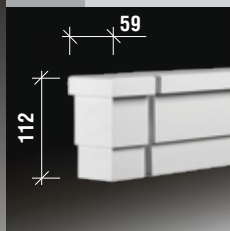
architrave length 2 meters
combined with reglet **4.07.101**



4.37.101 reglet



4.34.132 end element

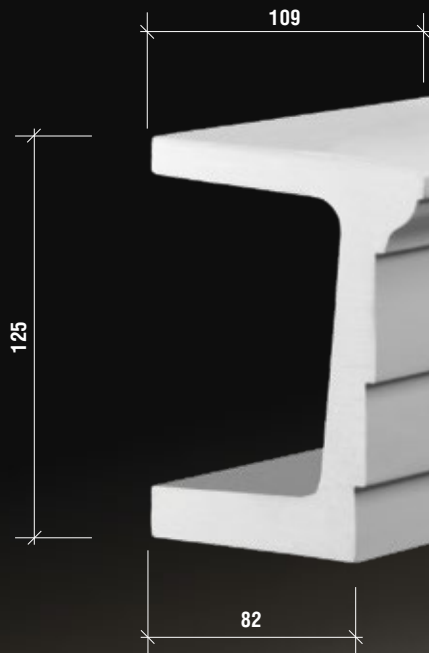


reglet depth 8 mm

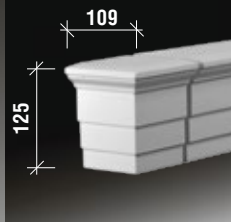
architraves

4.34.201 architrave

architrave length 2 meters

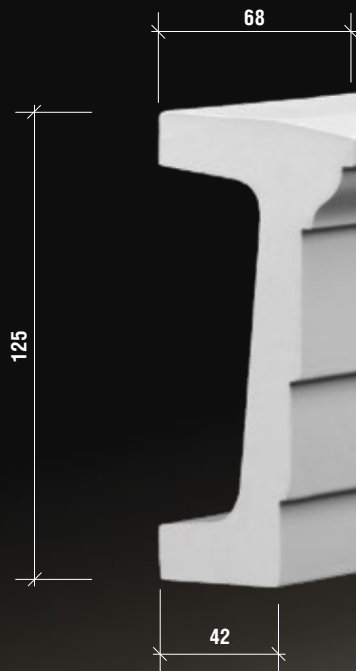


4.34.231 end element

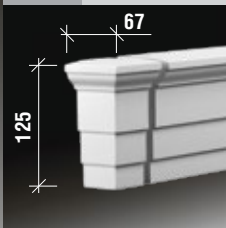


dimensions in millimeters

4.34.202 architrave



4.34.232 end element



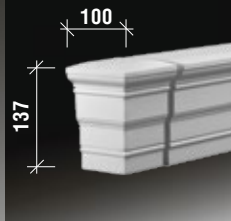
architraves

4.34.301 architrave

architrave length 2 meters



4.34.331 end element

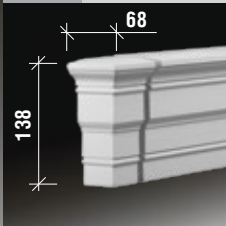


dimensions in millimeters

4.34.302 architrave



4.34.332 end element



balustrades

balusters, balustrade pillars	88, 92
balustrade bases, balustrade railings, caps	89, 93
half balusters, balustrade half pillars	90, 94
balustrade half bases, balustrade half railings, half caps	91, 95

balustrades

1	4.71.101	baluster
2	4.74.101	balustrade base
3	4.72.101	balustrade railing
4	4.75.101	balustrade pillar
5	4.76.101	pyramidal balustrade cap

5

3

4

1

2





balusters/balustrade pillars

4.71.101 baluster



4.75.101 balustrade pillar



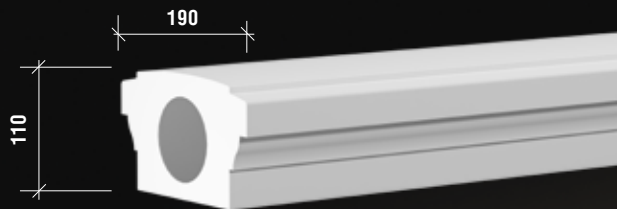
dimensions in millimeters

balustrade bases, balustrade railings, balustrade caps

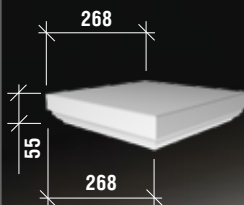
balustrades

4.72.101 balustrade railing

balustrade railing length 3000 mm

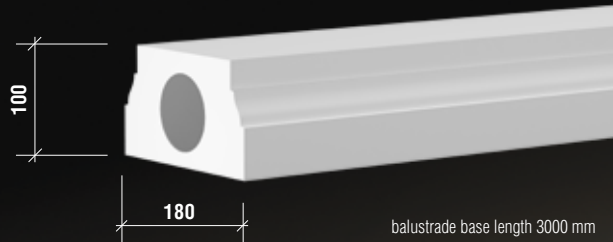


4.73.101 cap

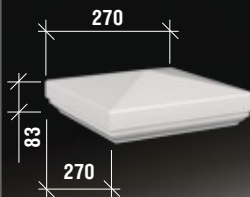


4.74.101 balustrade base

balustrade base length 3000 mm

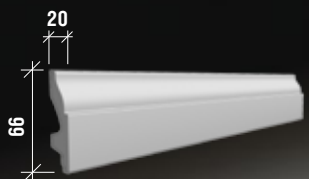


4.76.101 pyramidal balustrade cap

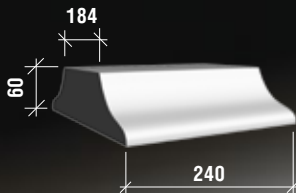


4.79.101 floor moulding

floor moulding length 2000 mm



4.78.101 footpiece



4.77.101 ball shaped balustrade cap

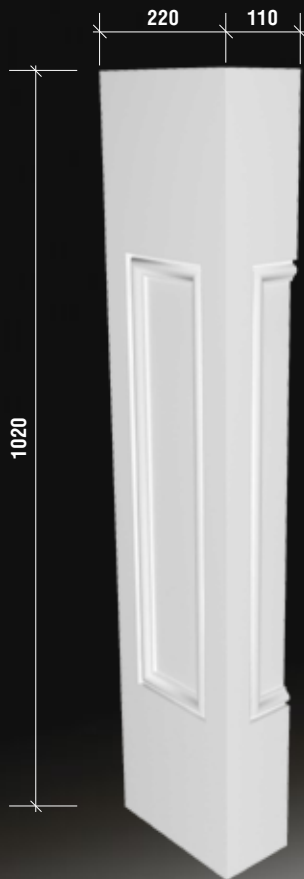


half balusters, half balustrade pillars

4.71.111 half baluster



4.75.111 balustrade half pillar

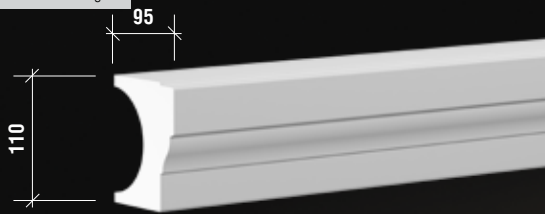


dimensions in millimeters

half balustrade base, half balustrade railings, half cap

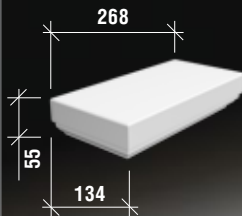
balustrades

4.72.111 balustrade half railing

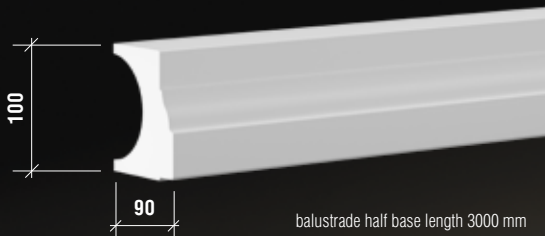


balustrade half railing length 3000 mm

4.73.111 half cap

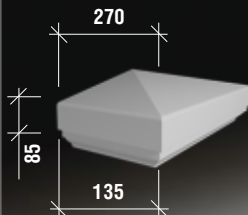


4.74.111 balustrade half base

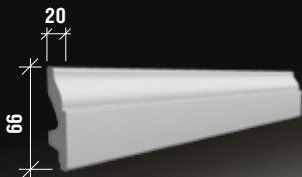


balustrade half base length 3000 mm

4.76.111 balustrade pyramidal half cap



4.79.101 floor moulding



floor moulding length 2000 mm

balusters/balustrade pillars



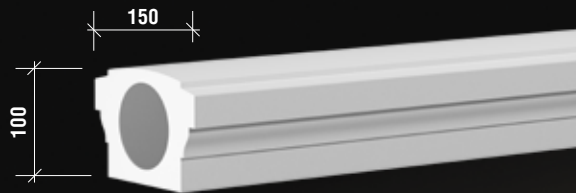
dimensions in millimeters

balustrade base, balustrade railings, balustrade cap

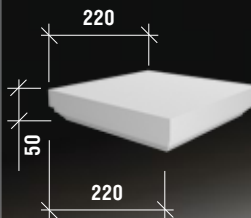
balustrades

4.72.201 balustrade railing

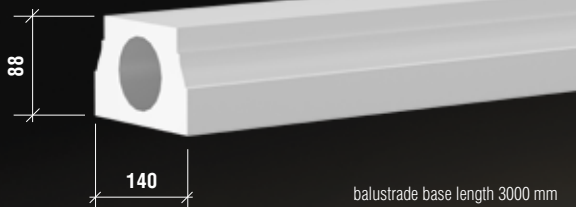
balustrade railing length 3000 mm



4.73.201 cap

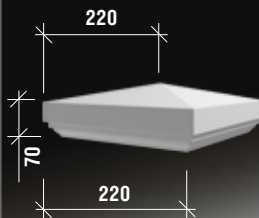


4.74.201 balustrade base

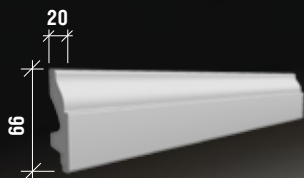


balustrade base length 3000 mm

4.76.201 pyramidal balustrade cap

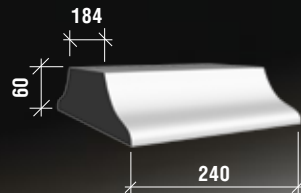


4.79.101 floor moulding



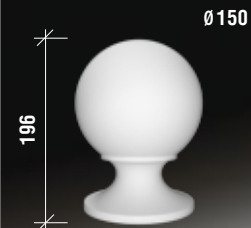
floor moulding length 2000 mm

4.78.101 footpiece



240

4.77.201 ball shaped balustrade cap

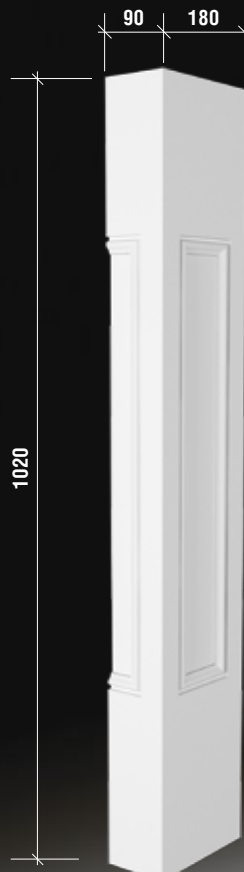


half balusters, half balustrade pillars

4.71.211 half baluster



4.75.211 balustrade half pillar

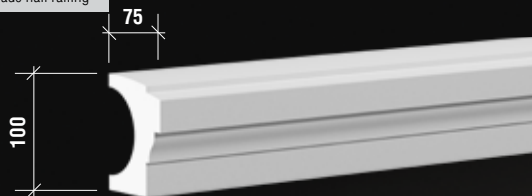


dimensions in millimeters

half balustrade base, half balustrade railings, half cap

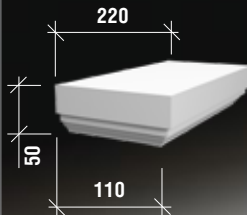
balustrades

4.72.211 balustrade half railing



balustrade half railing 3000 mm

4.73.211 half cap

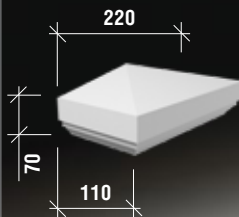


4.74.211 balustrade half base

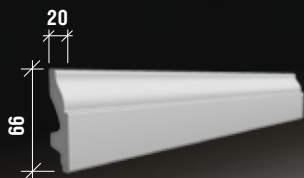


balustrade half base length 3000 mm

4.76.211 balustrade pyramidal half cap



4.79.101 floor moulding

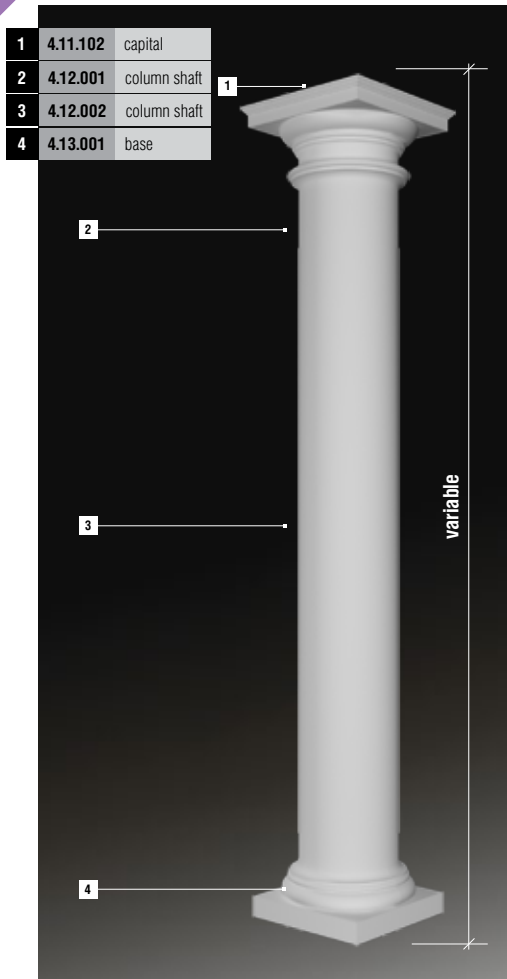


floor moulding length 2000 mm

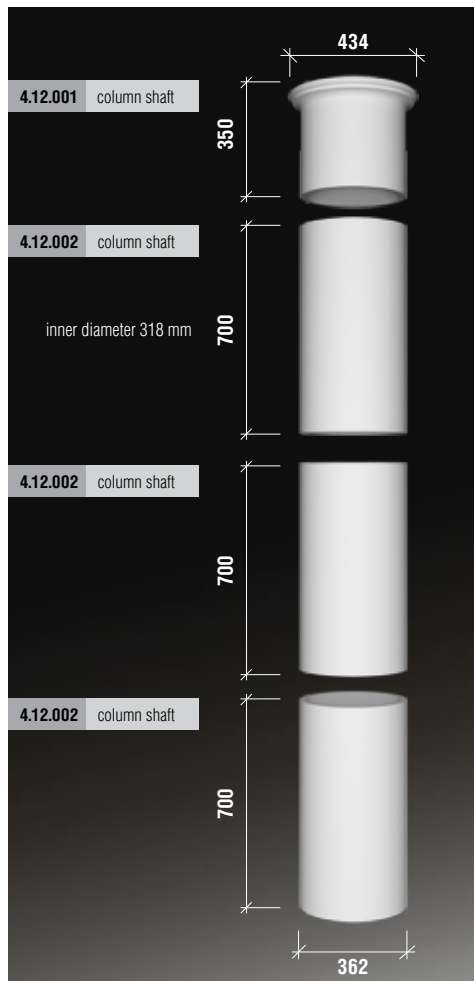
columns

columns	98
half columns	126

columns



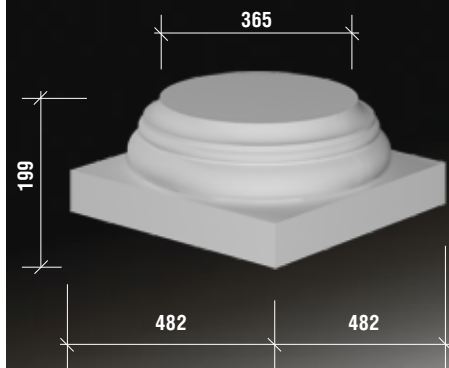
dimensions in millimeters



4.11.102 capital



4.13.001 base

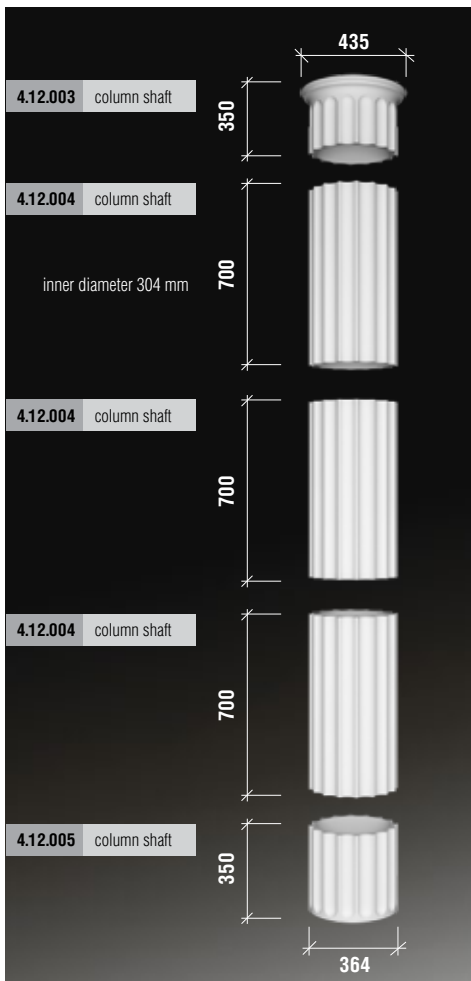


columns

1	4.11.102	capital
2	4.12.003	column shaft
3	4.12.004	column shaft
4	4.12.005	column shaft
5	4.13.001	base



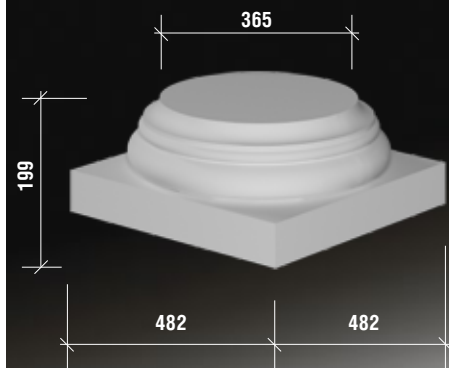
dimensions in millimeters



4.11.102 capital

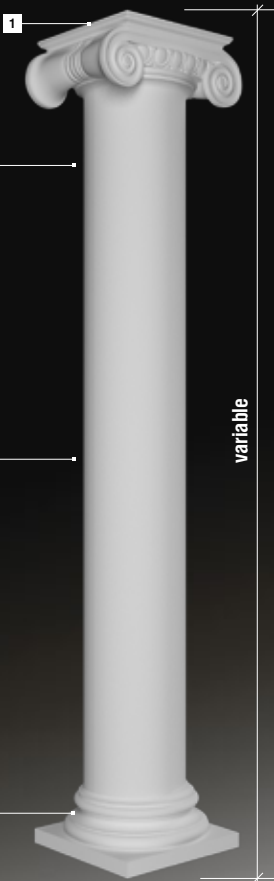


4.13.001 base

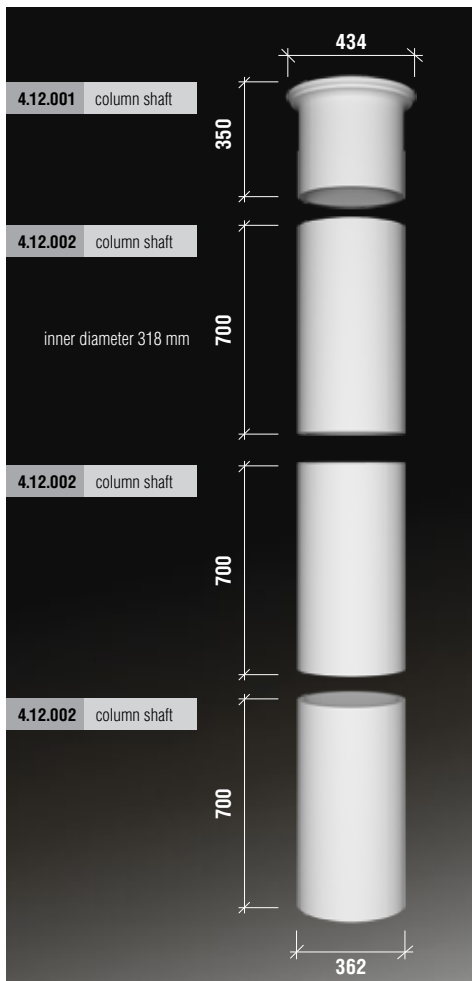


columns

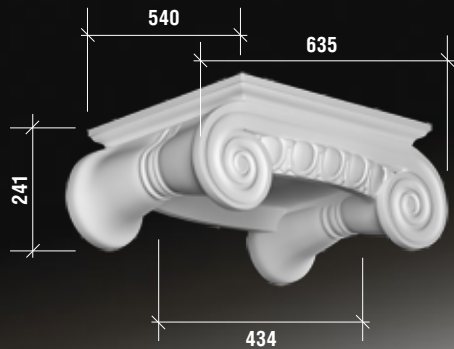
1	4.11.202	capital
2	4.12.001	column shaft
3	4.12.002	column shaft
4	4.13.002	base



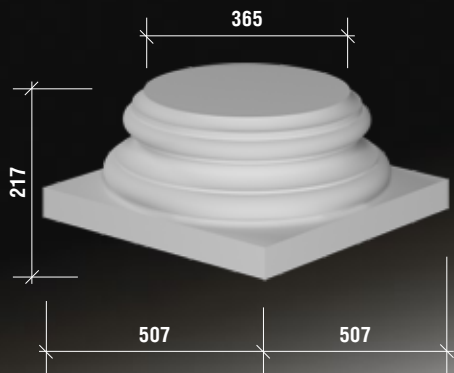
dimensions in millimeters



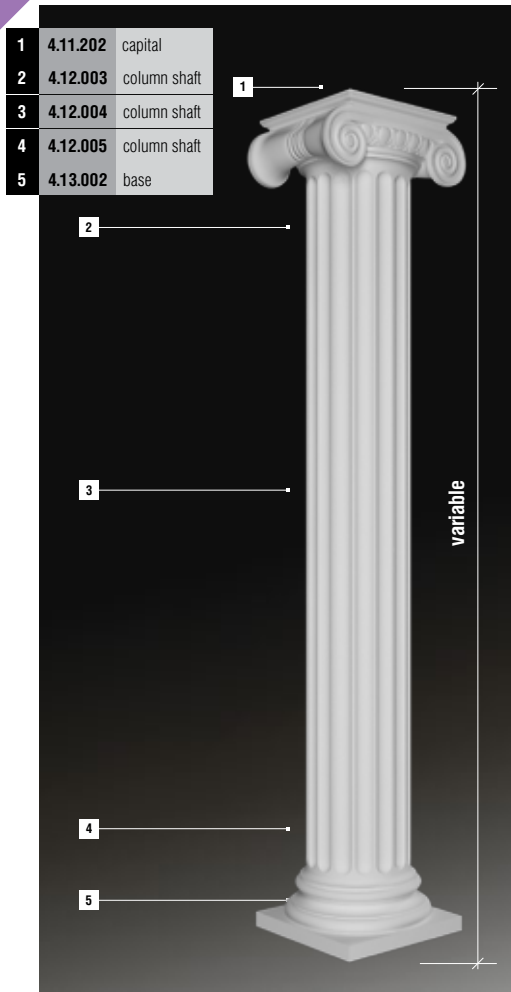
4.11.202 capital



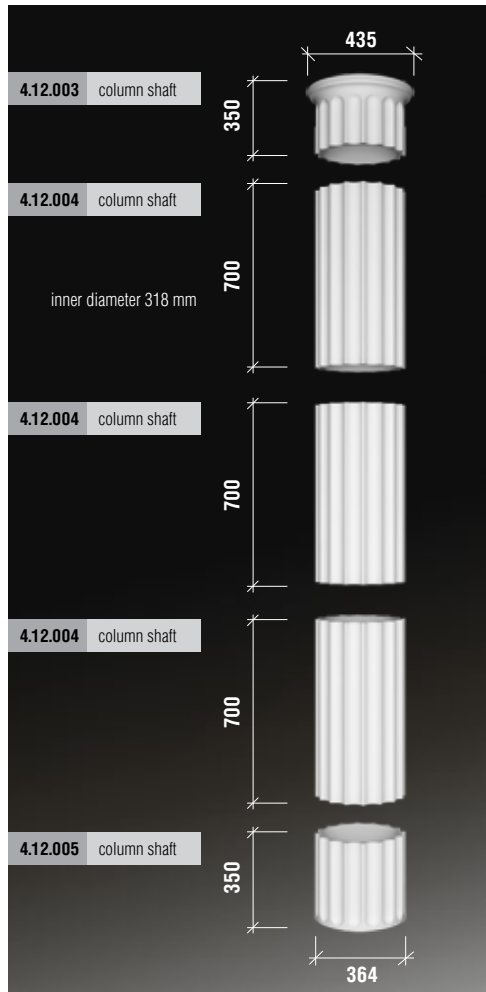
4.13.002 base



columns

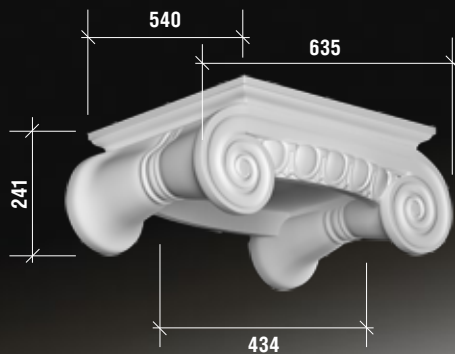


dimensions in millimeters

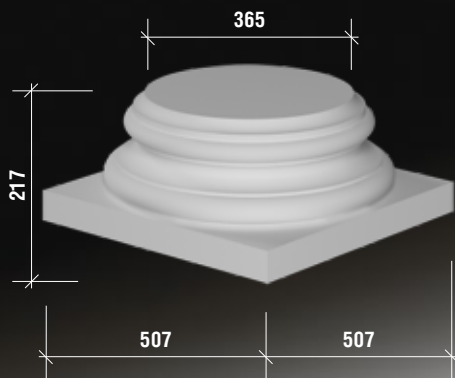


dimensions in millimeters

4.11.202 capital

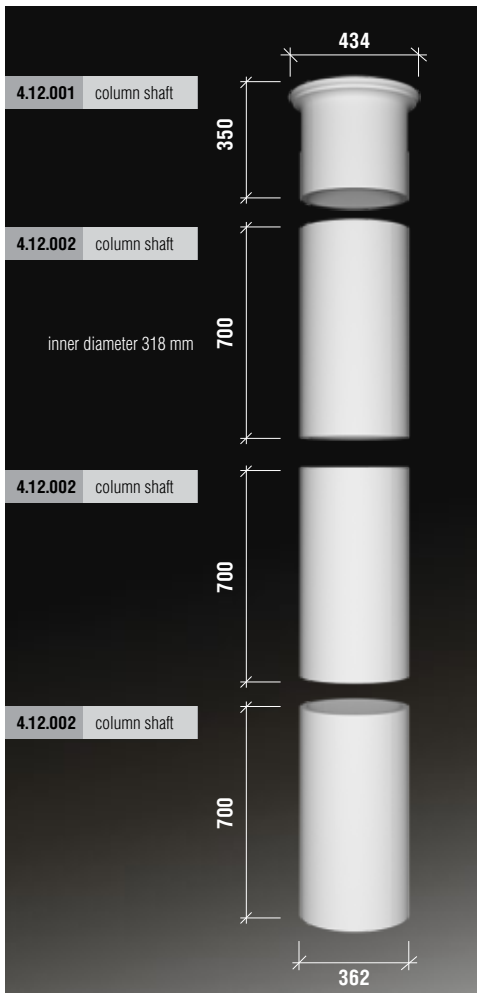
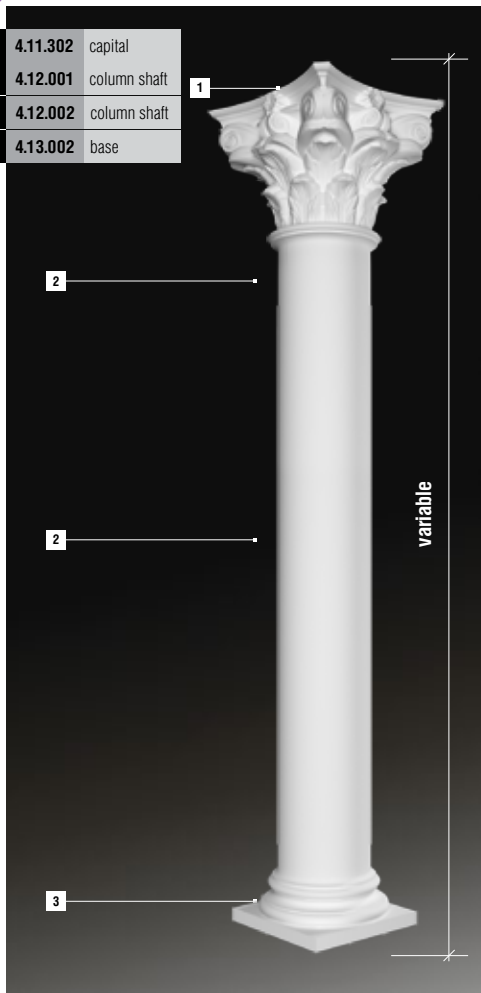


4.13.002 base



columns

1	4.11.302	capital
2	4.12.001	column shaft
3	4.12.002	column shaft
4	4.13.002	base

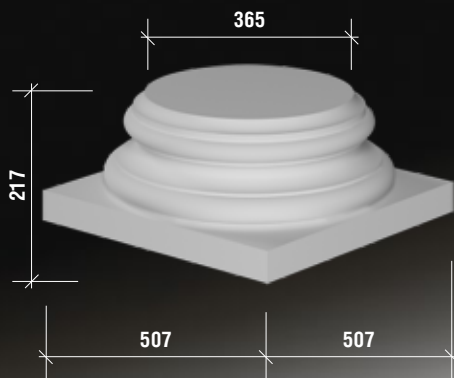


dimensions in millimeters

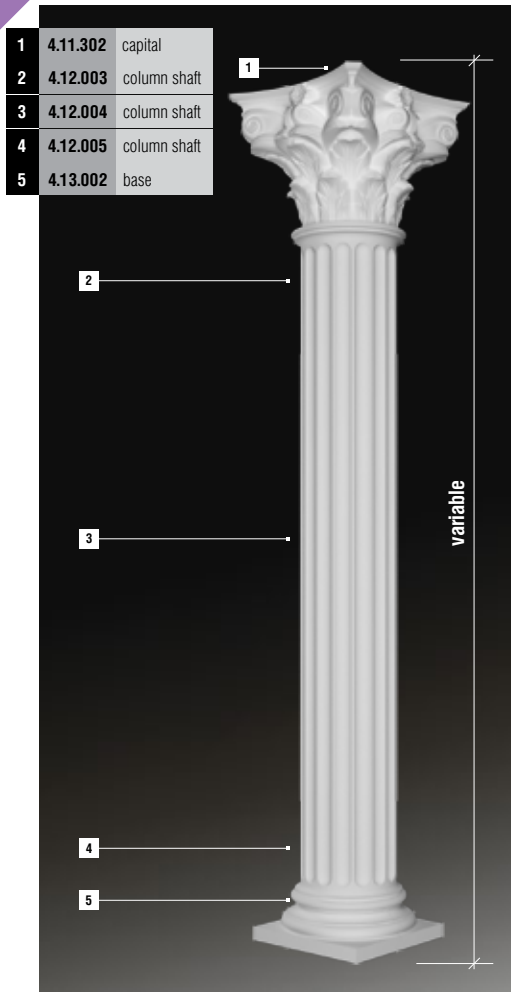
4.11.302 capital



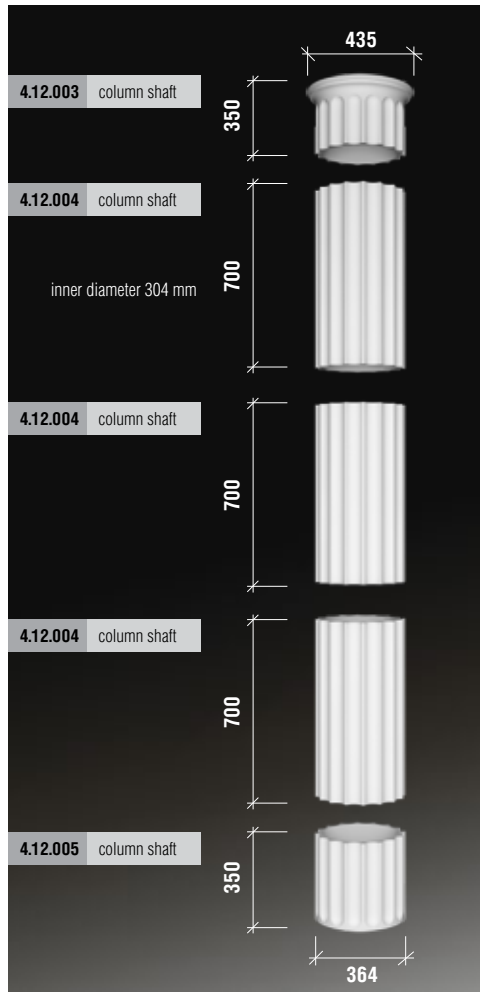
4.13.002 base



columns



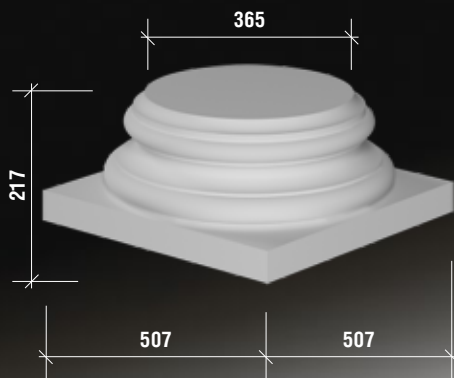
dimensions in millimeters



4.11.302 capital

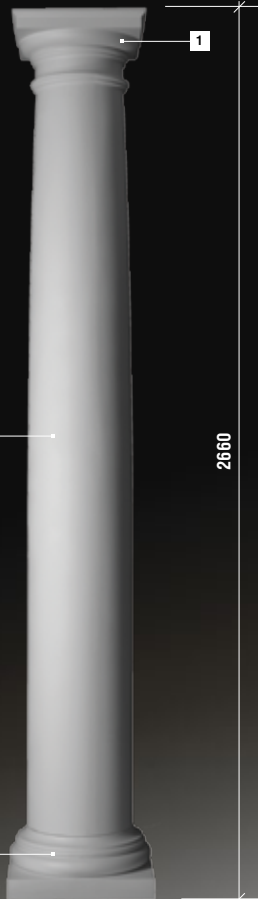


4.13.002 base



columns

1	4.11.101	capital
2	4.12.101	column shaft
3	4.13.101	base



4.12.101 column shaft

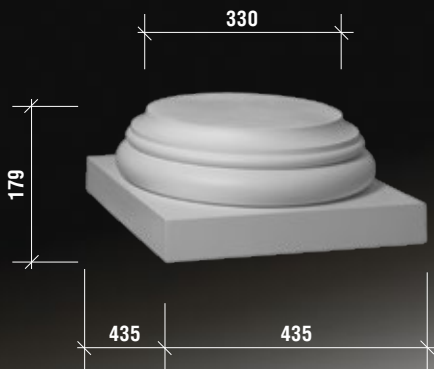


dimensions in millimeters

4.11.101 capital

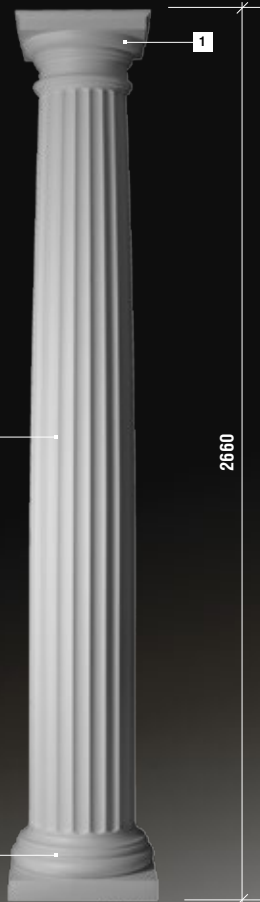


4.13.101 base



columns

1	4.11.101	capital
2	4.12.102	column shaft
3	4.13.101	base



4.12.102 column shaft

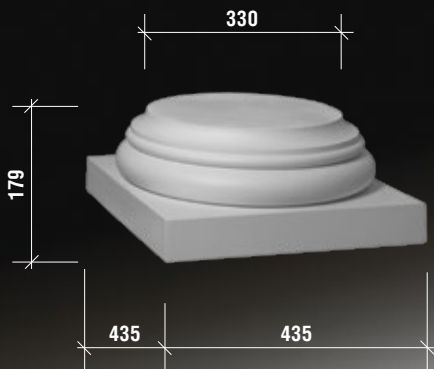


dimensions in millimeters

4.11.101 capital

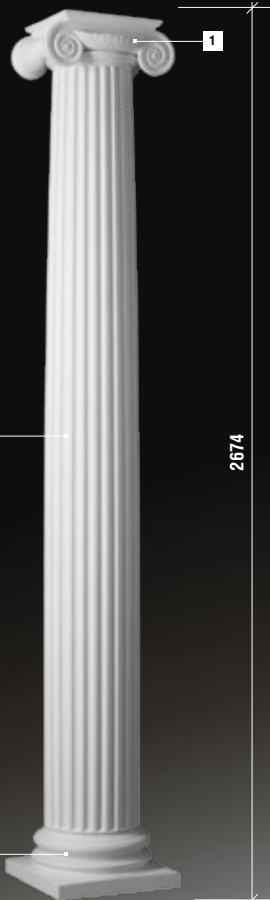


4.13.101 base



columns

1	4.11.201	capital
2	4.12.201	column shaft
3	4.13.202	base

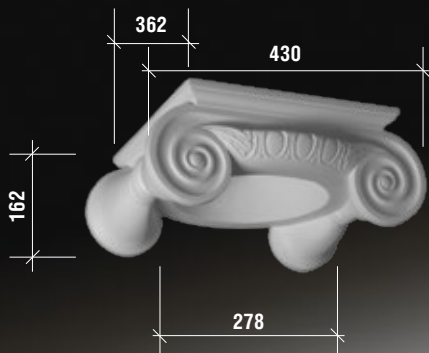


4.12.201	column shaft
----------	--------------

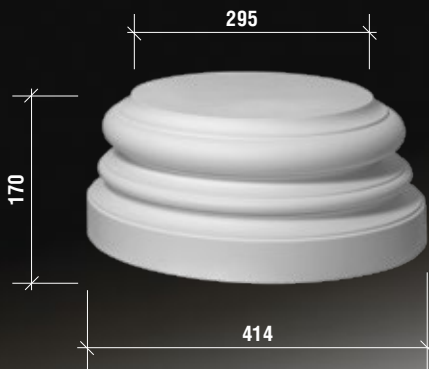


dimensions in millimeters

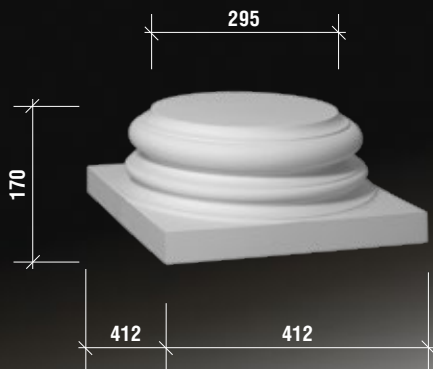
4.11.201 capital



4.13.201 base



4.13.202 base

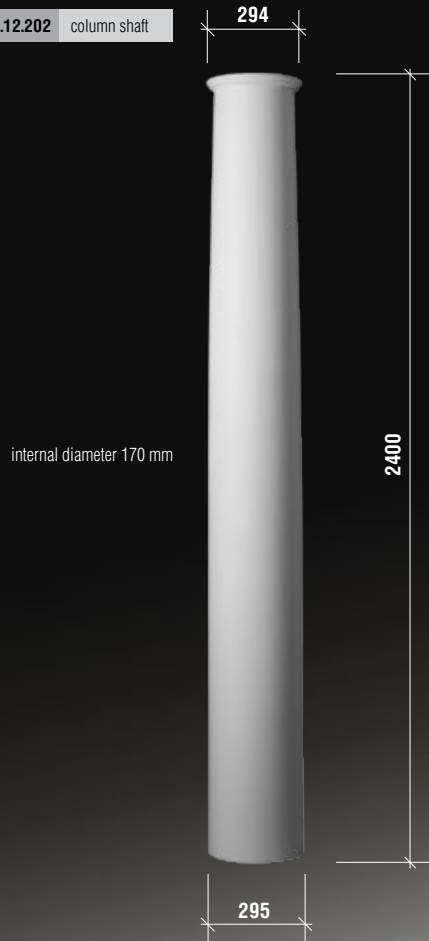


columns

1	4.11.201	capital
2	4.12.202	column shaft
3	4.13.202	base



4.12.202	column shaft
----------	--------------

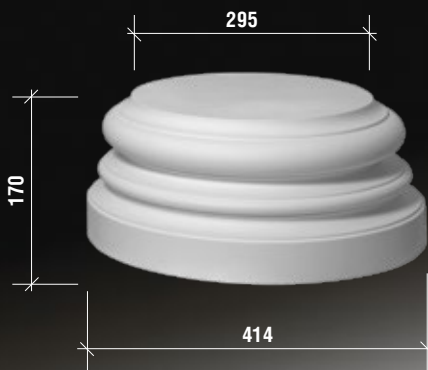


dimensions in millimeters

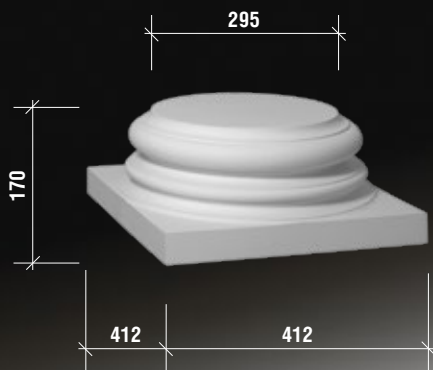
4.11.201 capital



4.13.201 base

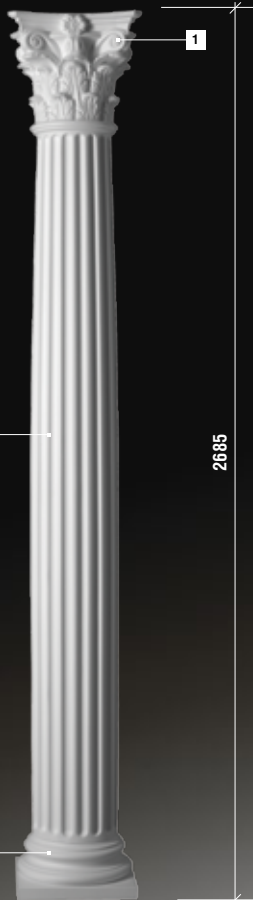


4.13.202 base

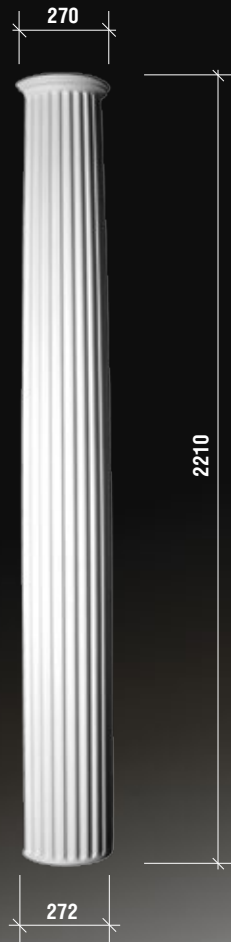


columns

1	4.11.301	capital
2	4.12.301	column shaft
3	4.13.302	base



4.12.301 column shaft

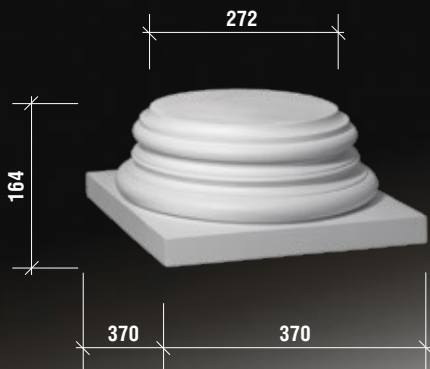


dimensions in millimeters

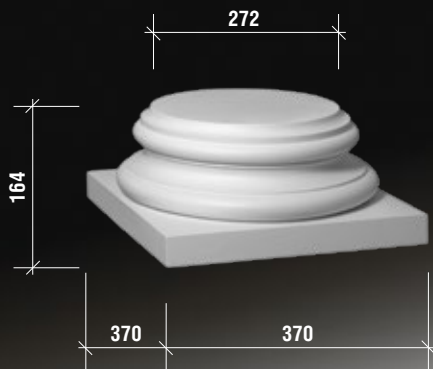
4.11.301 capital



4.13.301 base

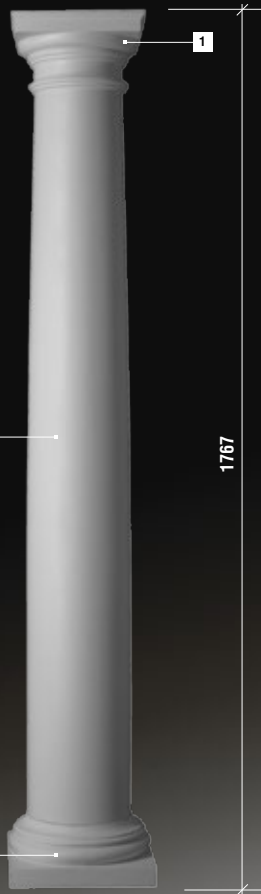


4.13.302 base



columns

1	4.41.101	capital
2	4.42.101	column shaft
3	4.43.101	base



4.42.101 column shaft

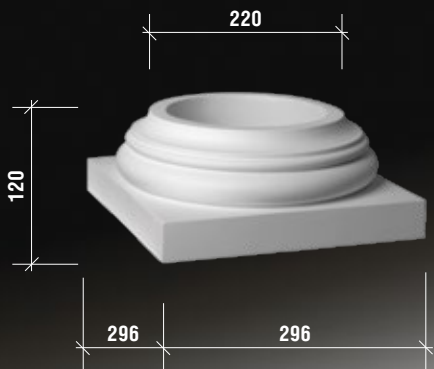


dimensions in millimeters

4.41.101 capital



4.43.101 base



columns

1	4.41.201	capital
2	4.42.201	column shaft
3	4.43.202	base



4.42.201	column shaft
----------	--------------

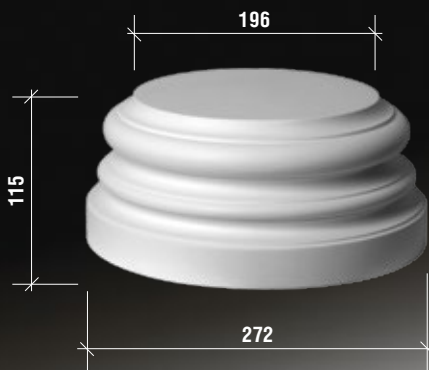


dimensions in millimeters

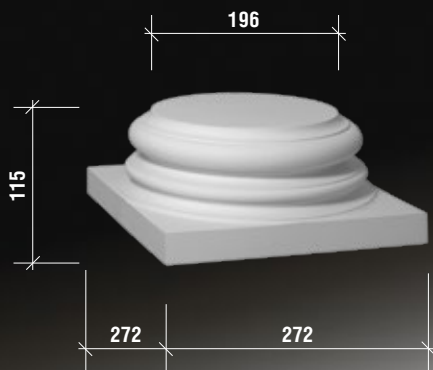
4.41.201 capital



4.43.201 base



4.43.202 base

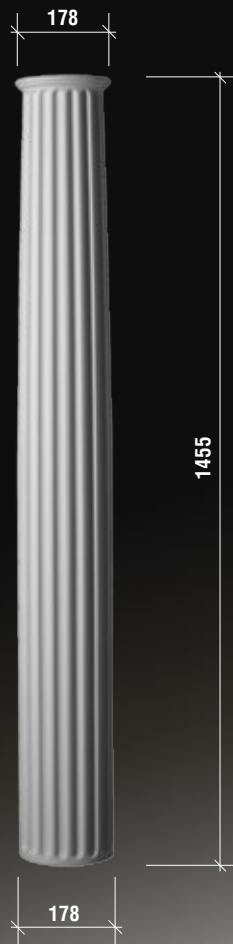


columns

1	4.41.301	capital
2	4.42.301	column shaft
3	4.43.301	base



4.42.301 column shaft

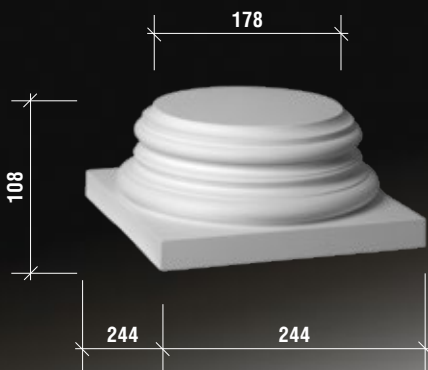


dimensions in millimeters

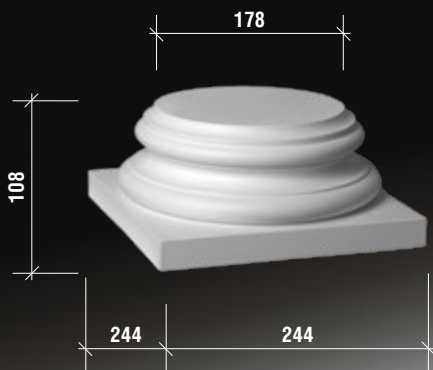
4.41.301 capital



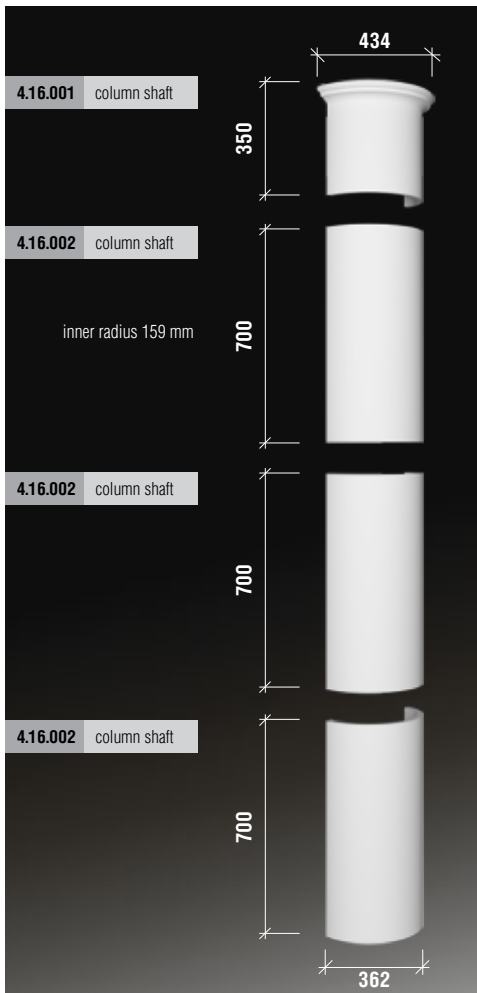
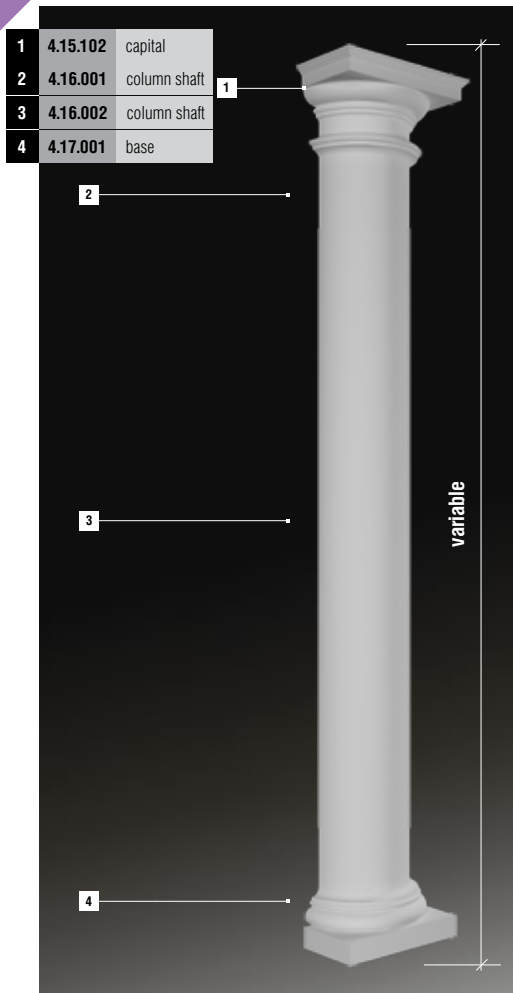
4.43.301 base



4.43.302 base



half columns

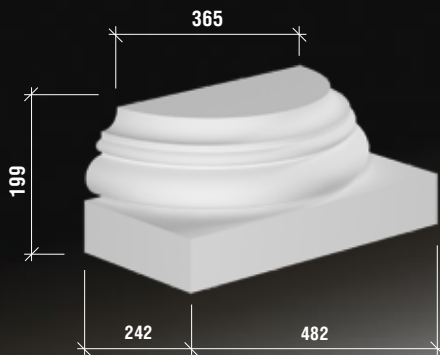


dimensions in millimeters

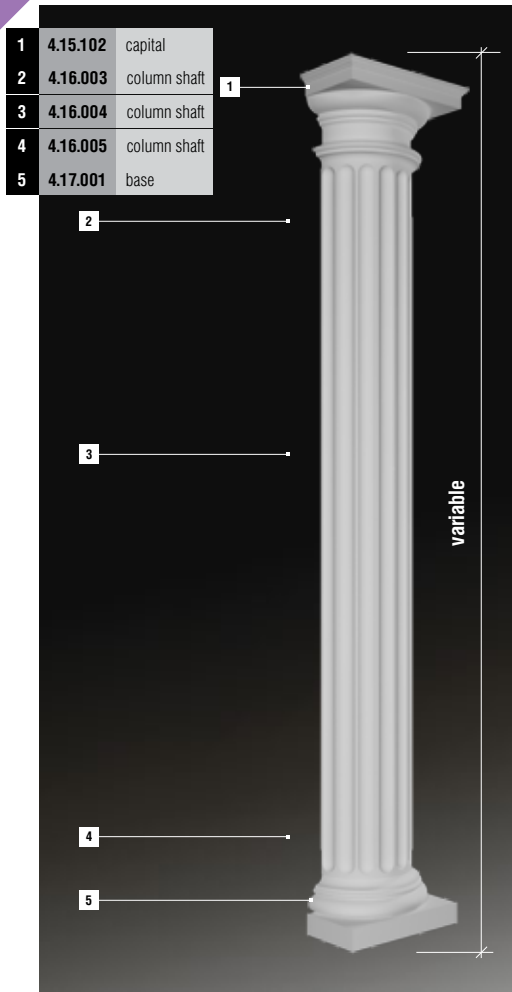
4.15.102 capital



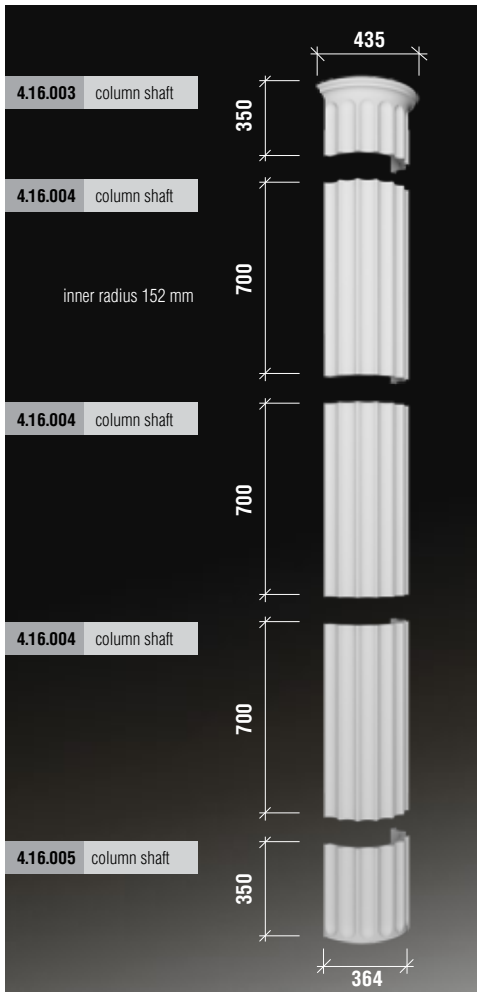
4.17.001 base



half columns



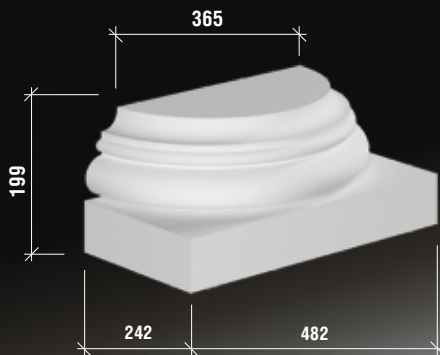
dimensions in millimeters



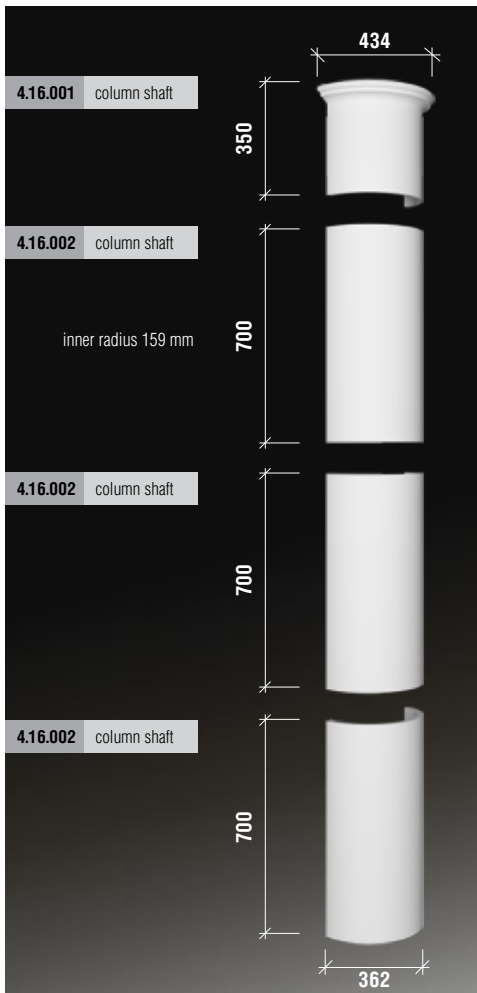
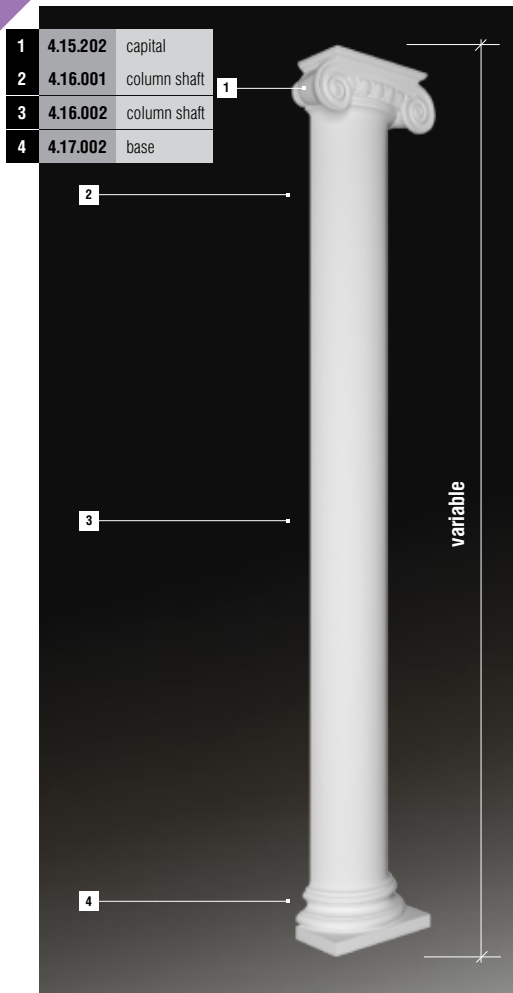
4.15.102 capital



4.17.001 base

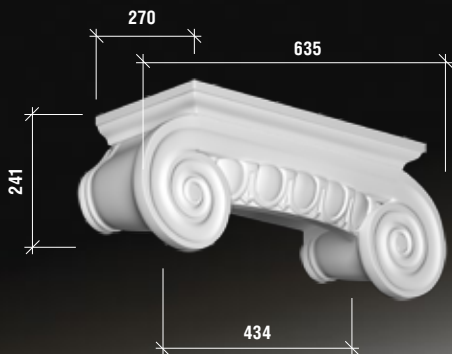


half columns

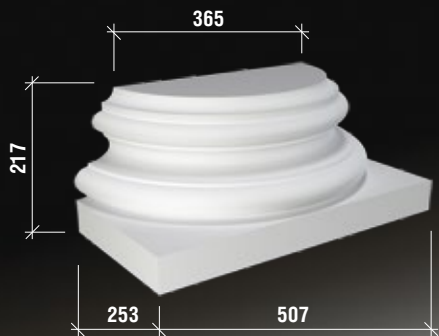


dimensions in millimeters

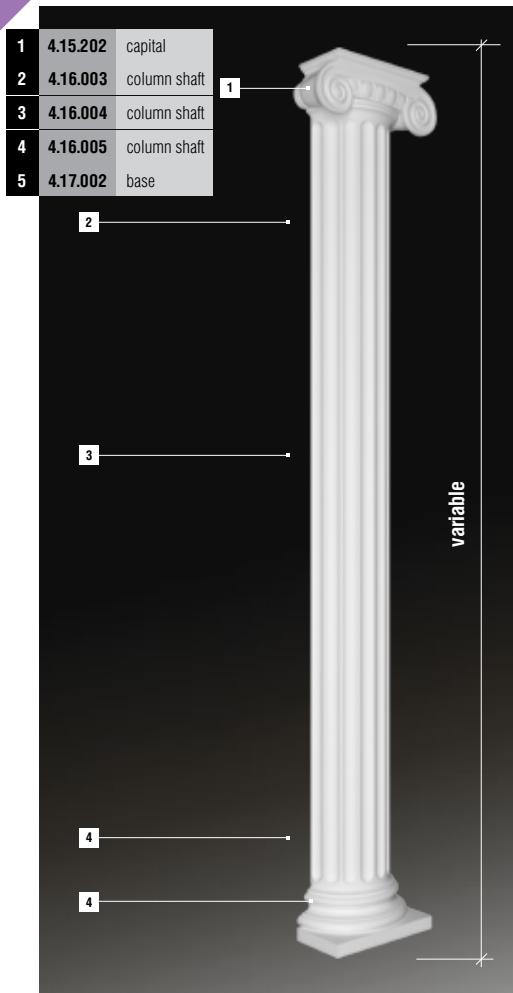
4.15.202 capital



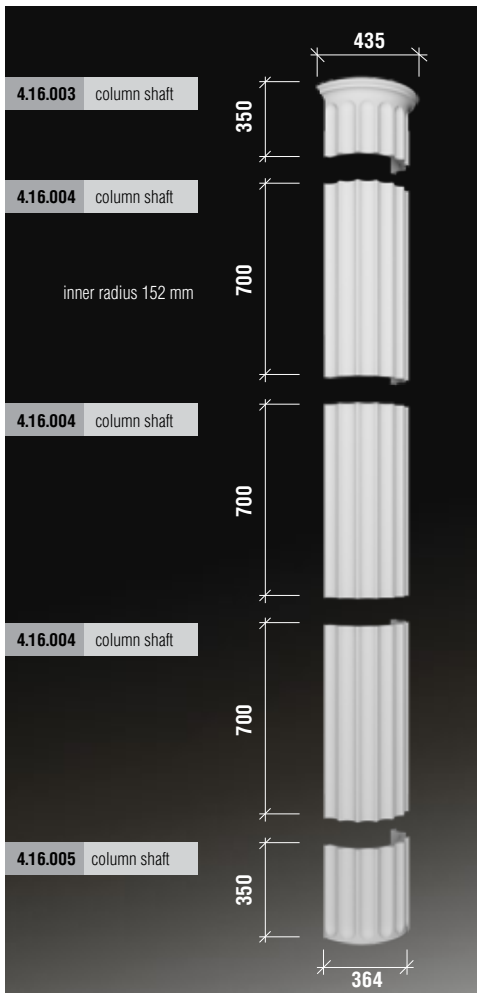
4.17.002 base



half columns

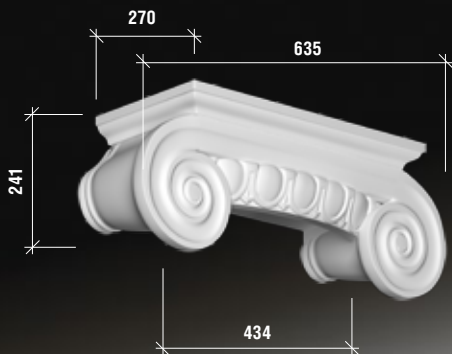


dimensions in millimeters

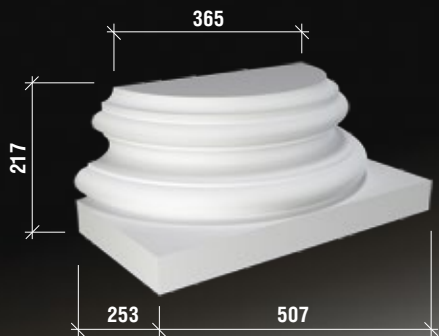


dimensions in millimeters

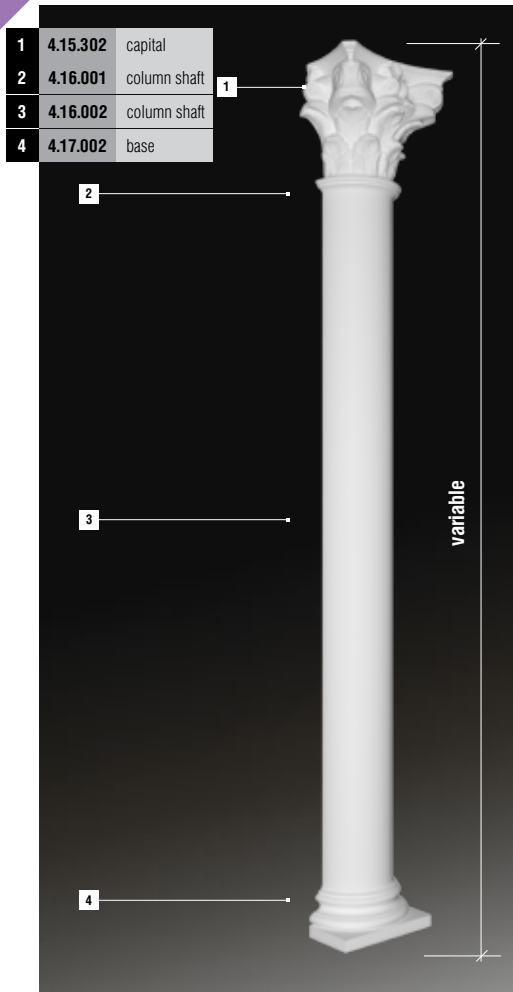
4.15.202 capital



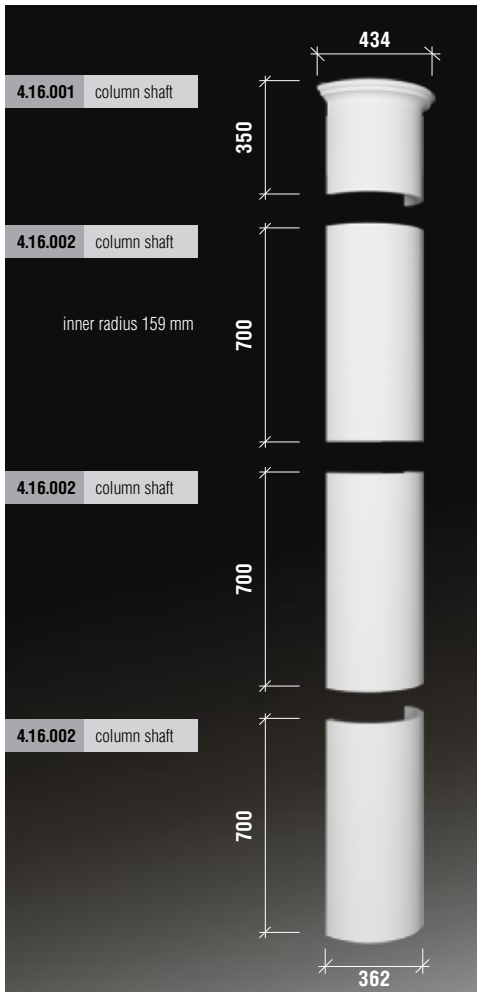
4.17.002 base



half columns



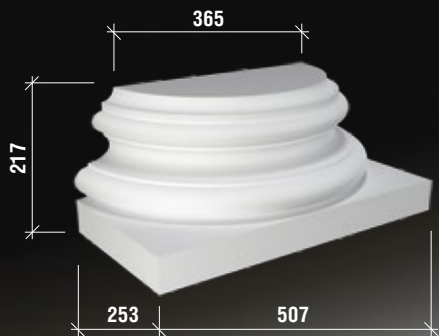
dimensions in millimeters



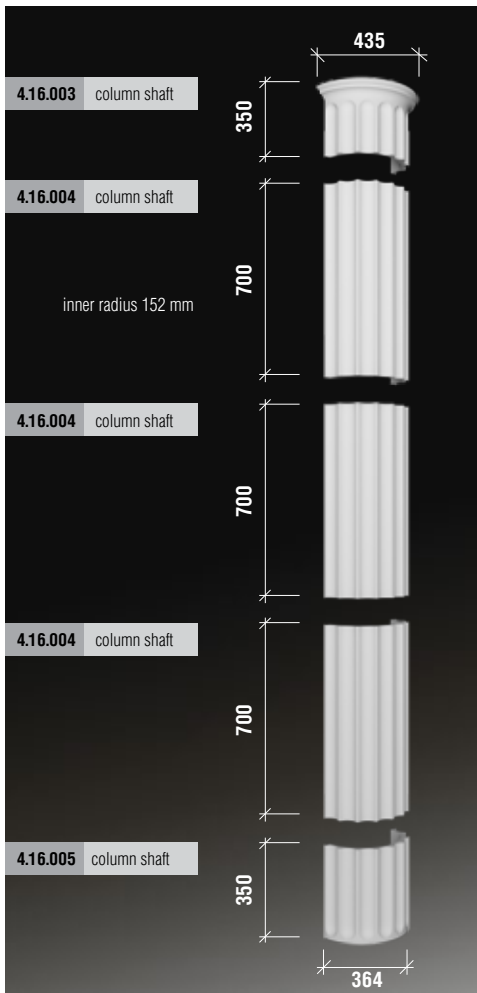
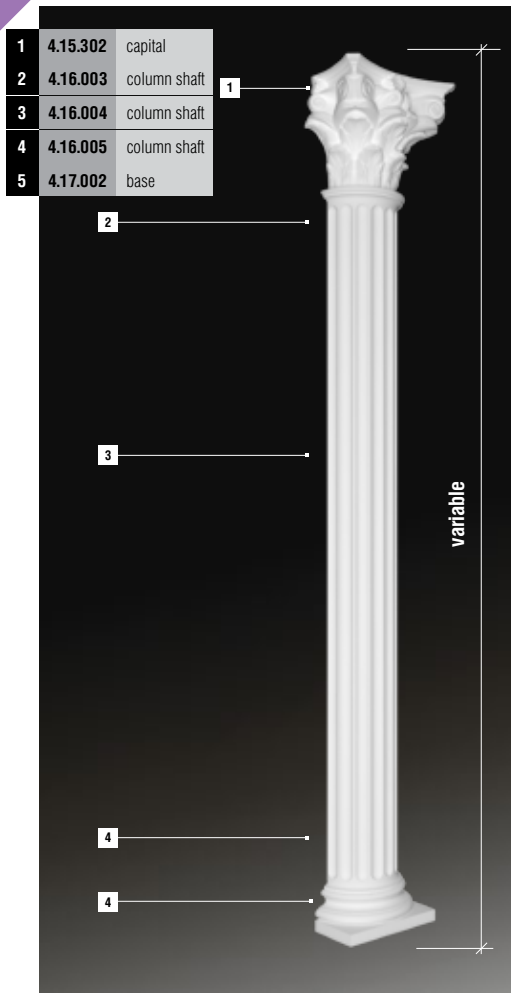
4.15.302 capital



4.17.002 base



half columns

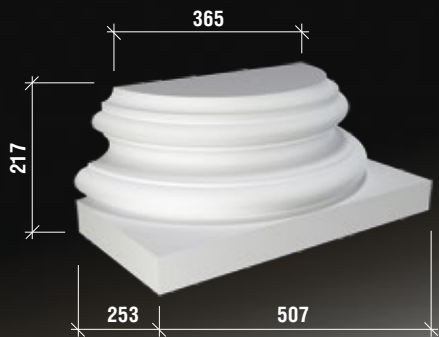


dimensions in millimeters

4.15.302 capital

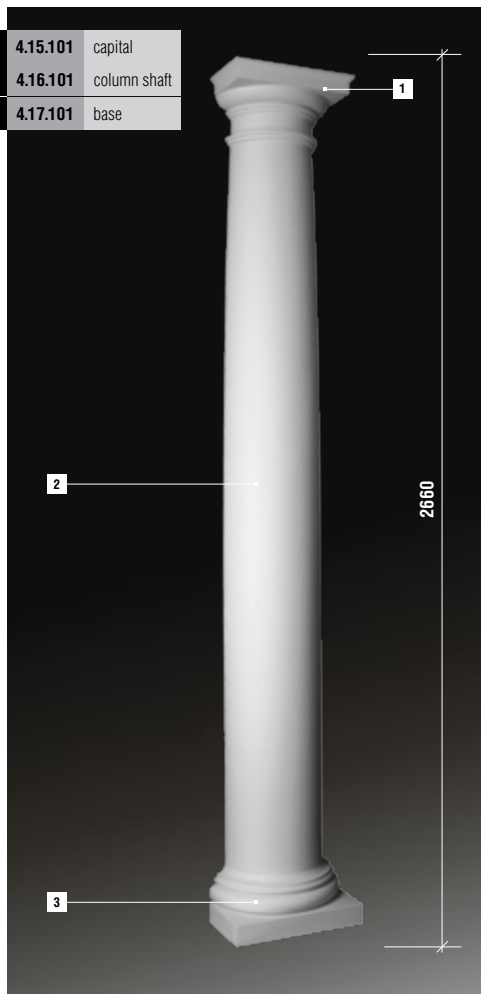


4.17.002 base

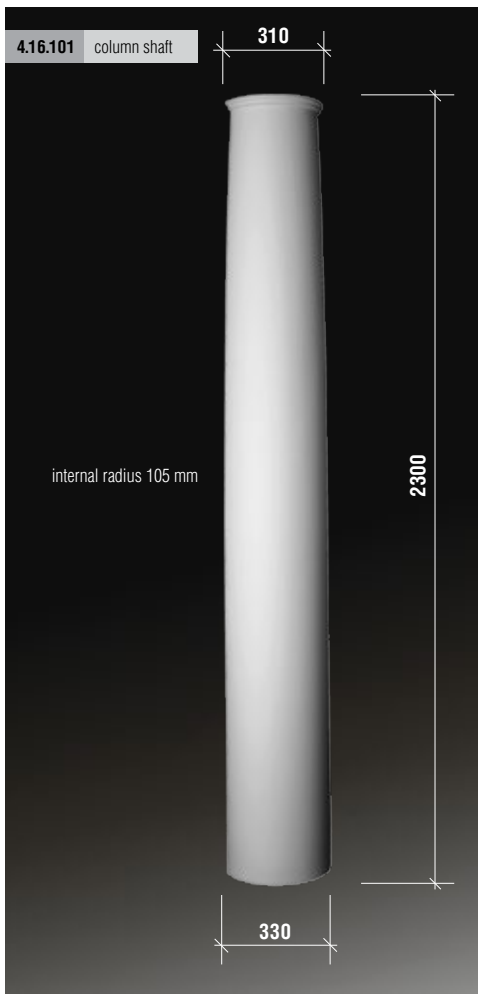


half columns

1	4.15.101	capital
2	4.16.101	column shaft
3	4.17.101	base



4.16.101 column shaft

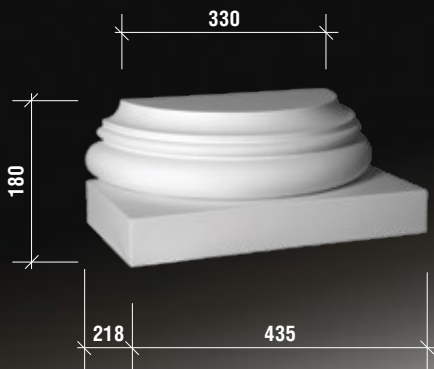


dimensions in millimeters

4.15.101 capital

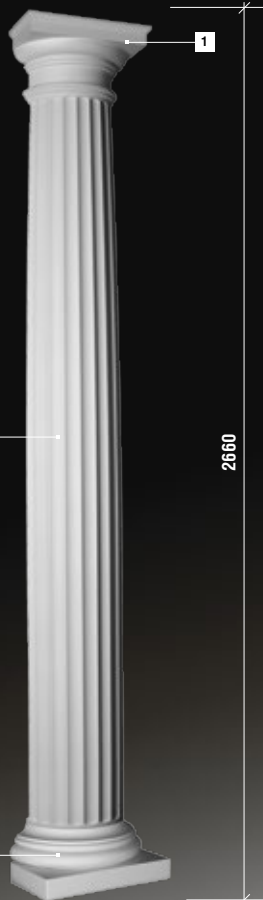


4.17.101 base



half columns

1	4.15.101	capital
2	4.16.102	column shaft
3	4.17.101	base



4.16.102 column shaft

310

internal radius 110 mm

2300

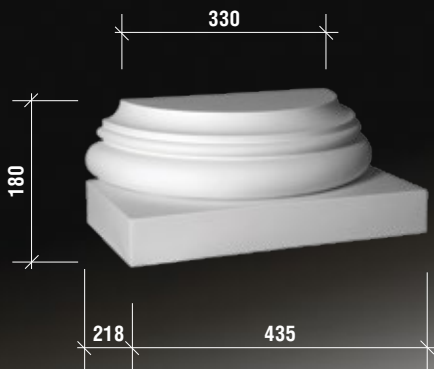
330

dimensions in millimeters

4.15.101 capital

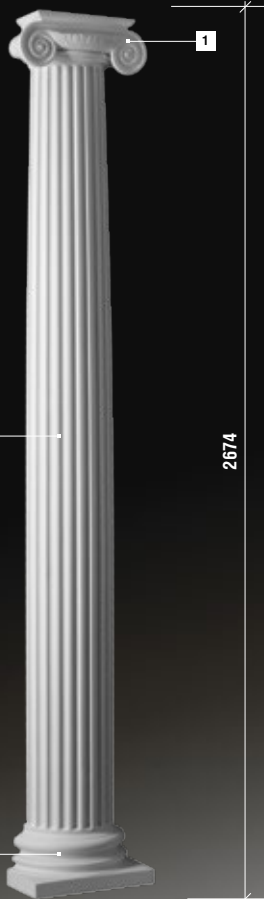


4.17.101 base



half columns

1	4.15.201	capital
2	4.16.201	column shaft
3	4.17.202	base



4.16.201 column shaft

294

internal radius 85 mm

2395

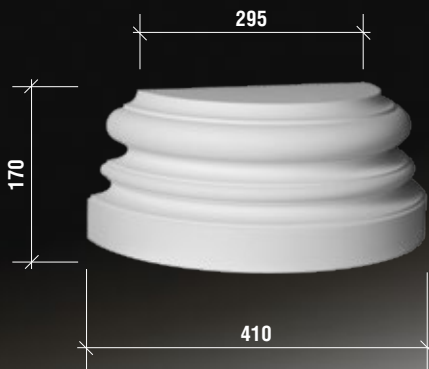
295

dimensions in millimeters

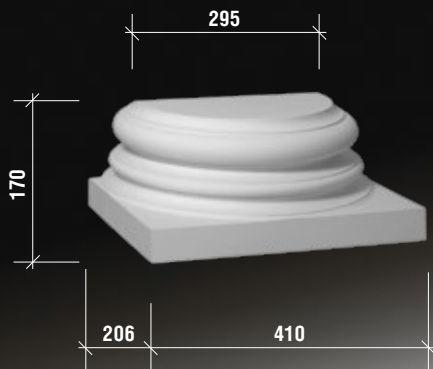
4.15.201 capital



4.17.201 base

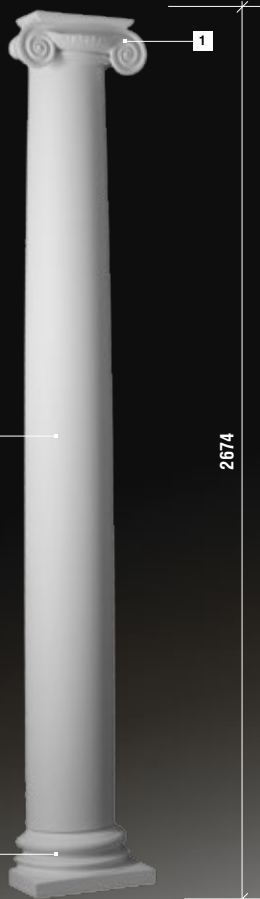


4.17.202 base

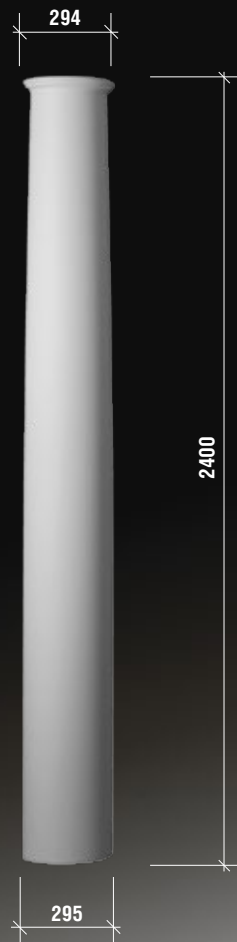


half columns

1	4.15.201	capital
2	4.16.202	column shaft
3	4.17.202	base



4.16.202	column shaft
----------	--------------

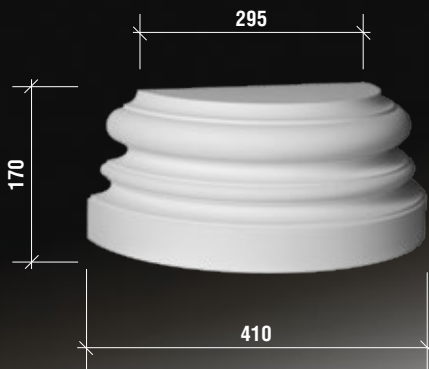


dimensions in millimeters

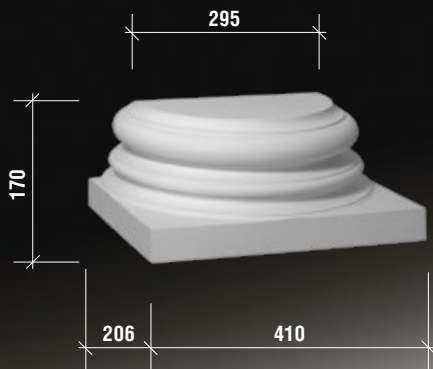
4.15.201 capital



4.17.201 base

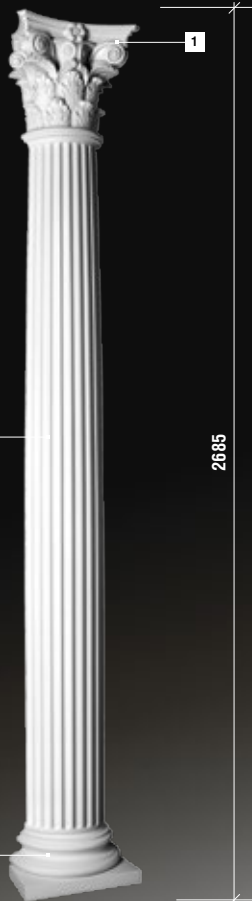


4.17.202 base



half columns

1	4.15.301	capital
2	4.16.301	column shaft
3	4.17.302	base



4.16.301 column shaft

270

internal radius 80 mm

2210

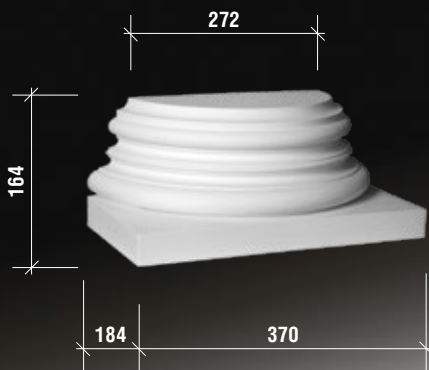
2 7 2

dimensions in millimeters

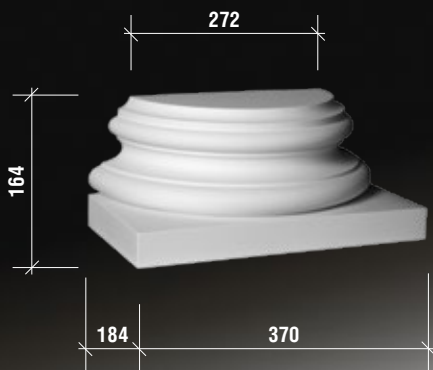
4.15.301 capital



4.17.301 base

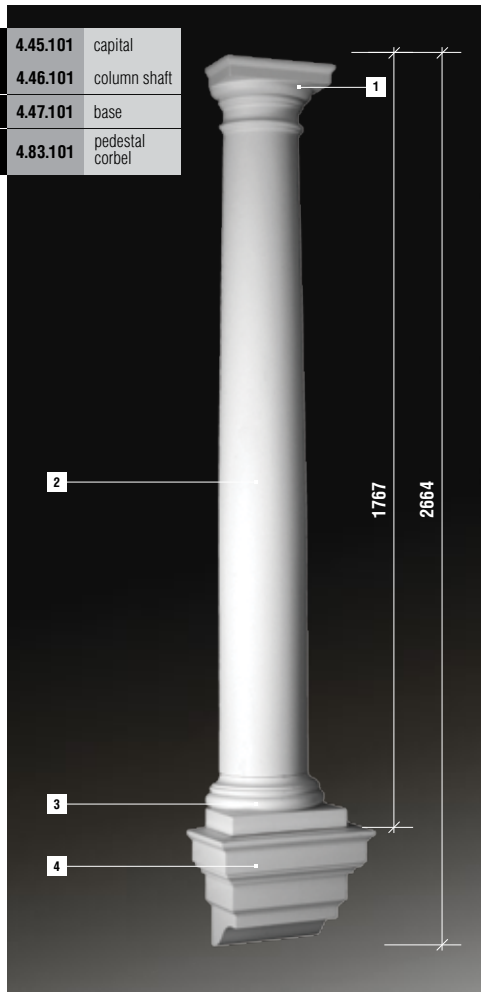


4.17.302 base

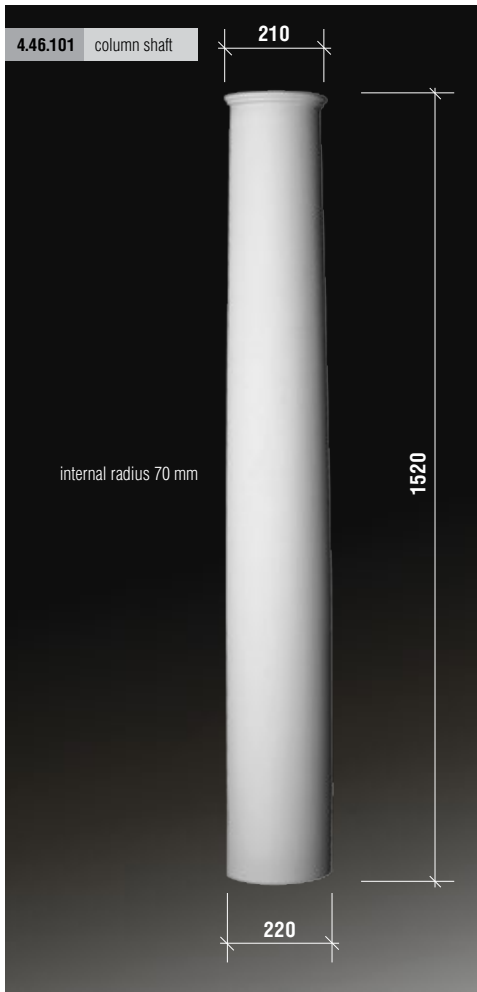


half columns

1	4.45.101	capital
2	4.46.101	column shaft
3	4.47.101	base
4	4.83.101	pedestal corbel



4.46.101 column shaft

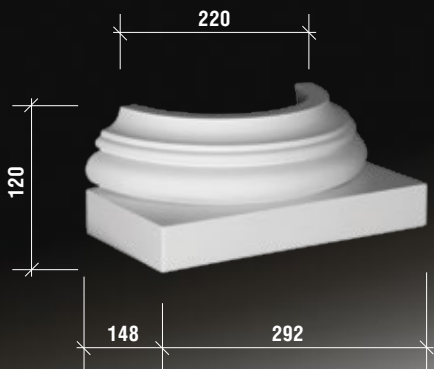


dimensions in millimeters

4.45.101 capital



4.47.101 base



4.83.101 pedestal corbel



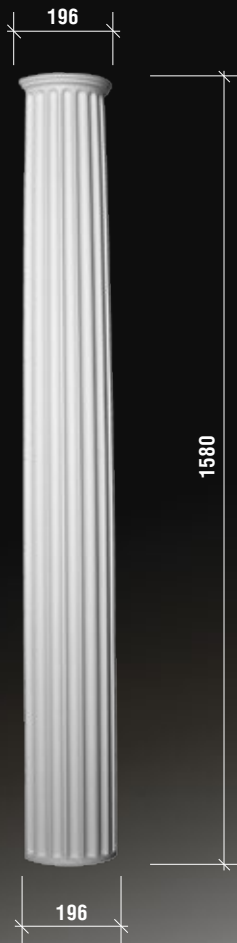
half columns

1	4.45.201	capital
2	4.46.201	column shaft
3	4.47.201	base
4	4.83.201	pedestal corbel



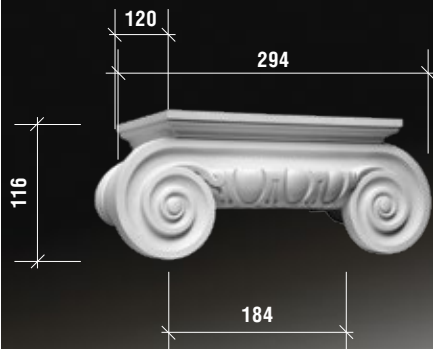
4.46.201 column shaft

internal radius 55 mm

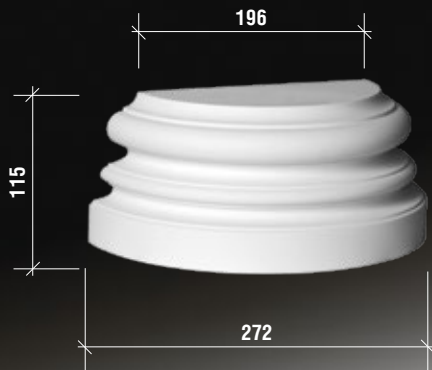


dimensions in millimeters

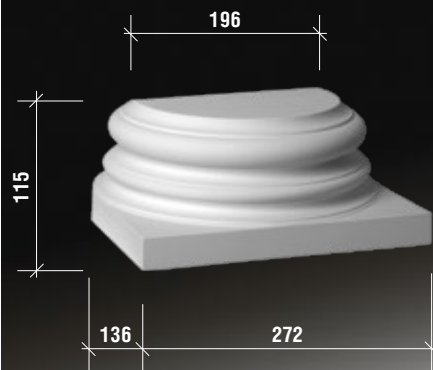
4.45.201 capital



4.47.201 base



4.47.202 base



4.83.201 pedestal corbel

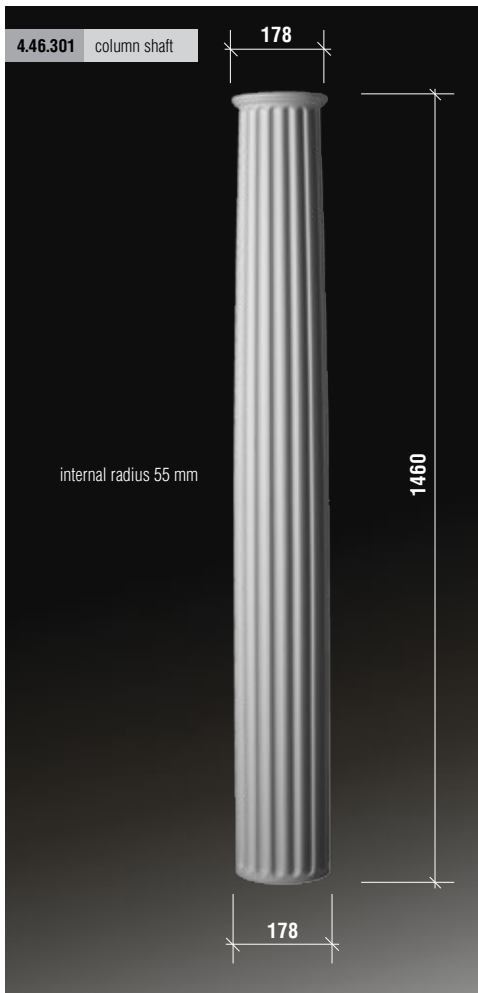


half columns

1	4.45.301	capital
2	4.46.301	column shaft
3	4.47.302	base
4	4.83.301	pedestal corbel



4.46.301	column shaft
----------	--------------

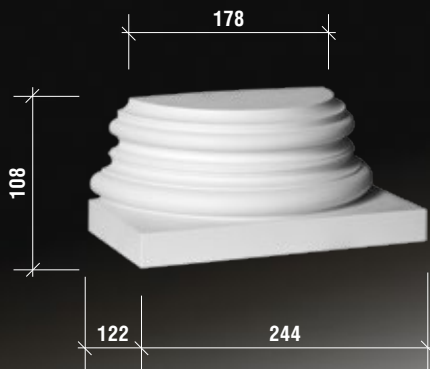


dimensions in millimeters

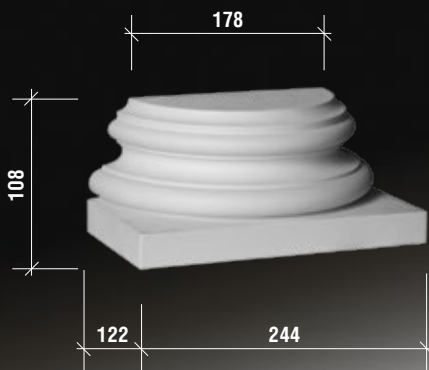
4.45.301 capital



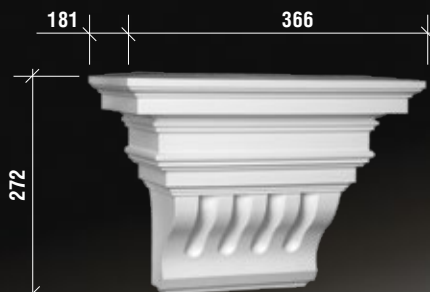
4.47.301 base



4.47.302 base



4.83.301 pedestal corbel

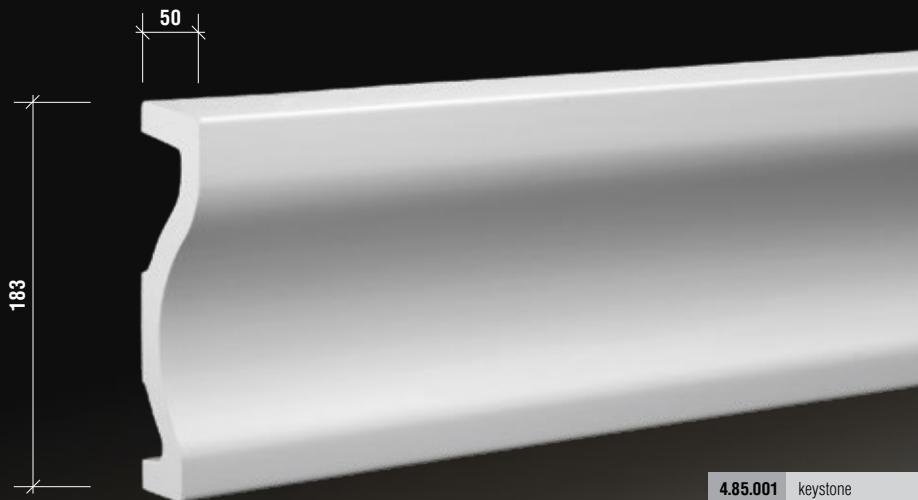


window frames

platbands	156
arch frames	162
keystones	165
window jambs	170
window ledges	171
corbels	180
pediment	182

platbands

4.84.001	platband	platband length 2 meters
4.84.051	platband	platband length 2,3 meters



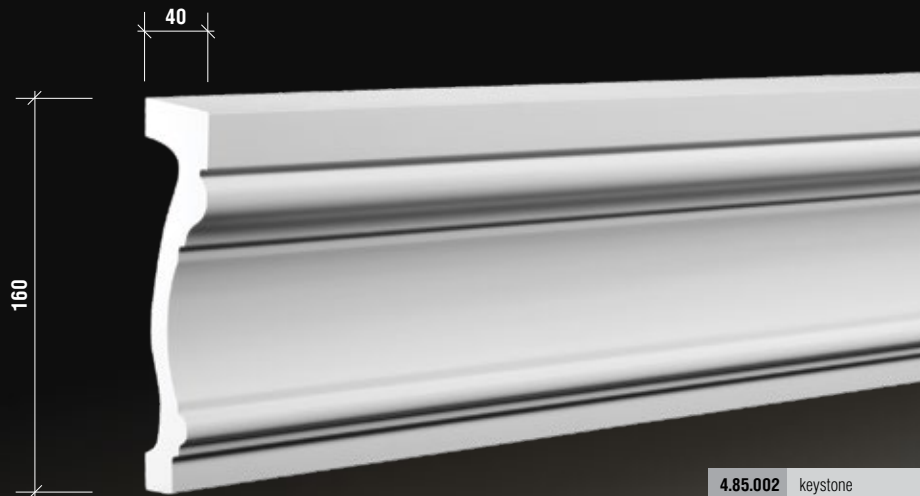
4.85.001 keystone



keystone depth 65 mm

4.84.002	platband	platband length 2,3 meters
-----------------	----------	----------------------------

4.84.052	platband	platband length 2 meters
-----------------	----------	--------------------------



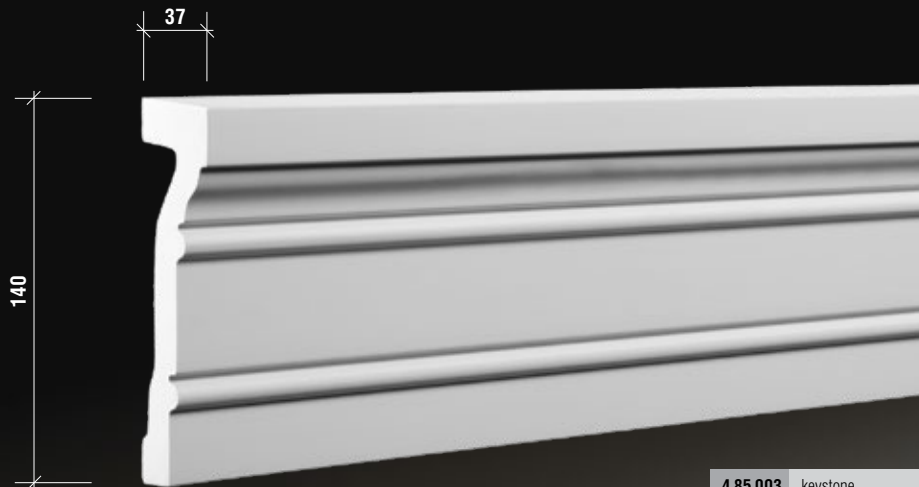
4.85.002	keystone
-----------------	----------



platbands

4.84.003 platband platband length 2,3 meters

4.84.053 platband platband length 2 meters



4.85.003 keystone



dimensions in millimeters

4.84.004 platband

platband length 2 meters



platbands

4.84.005

platband

platband length 2 meters



dimensions in millimeters

4.84.006 platband

platband length 2 meters



arch frames

4.87.031

arch frame

4.87.031 FLEX

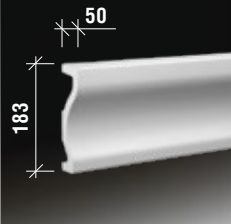
flexible arch frame

variable radius R600-900



4.84.001

platband



dimensions in millimeters

4.87.032

arch frame

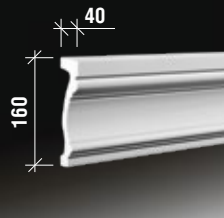
4.87.032 FLEX

flexible arch frame

variable radius R550-850



4.84.002 platband



arch frames

4.87.033

arch frame

4.87.033 FLEX

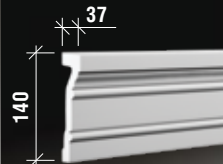
flexible arch frame

variable radius R450-750



4.84.003

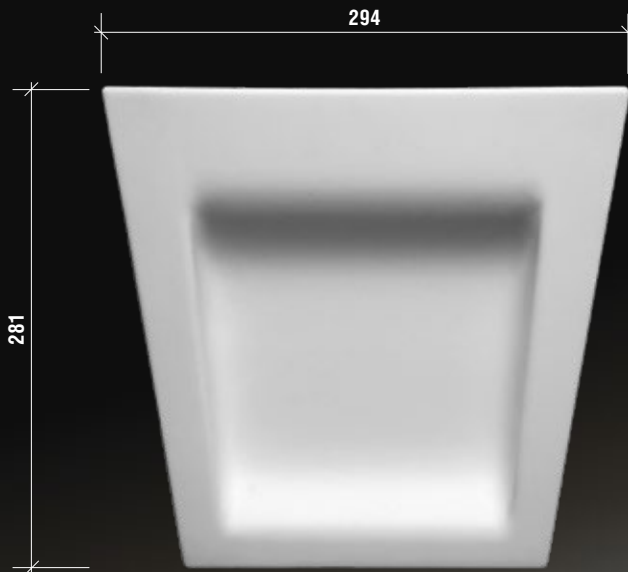
platband



dimensions in millimeters

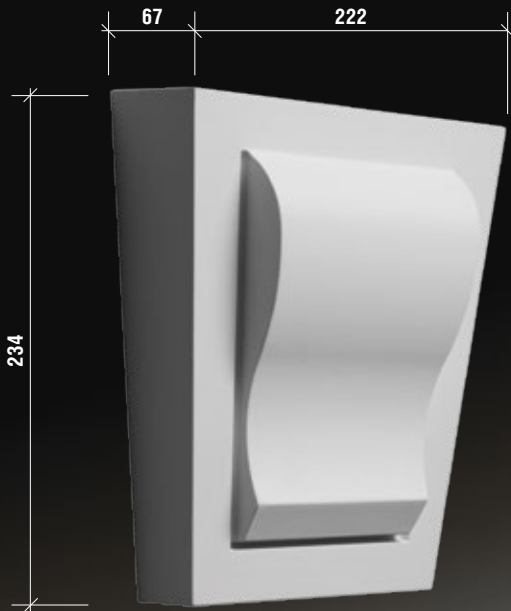
4.85.001 keystone

keystone depth 65 mm



keystones

4.85.002 keystone

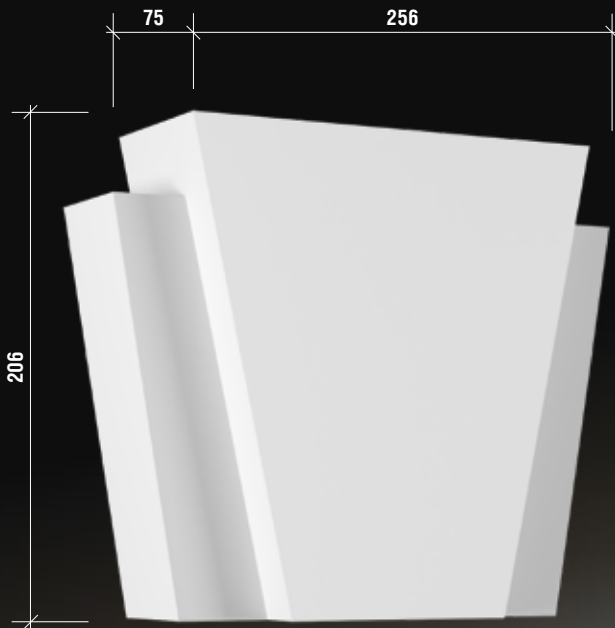


dimensions in millimeters

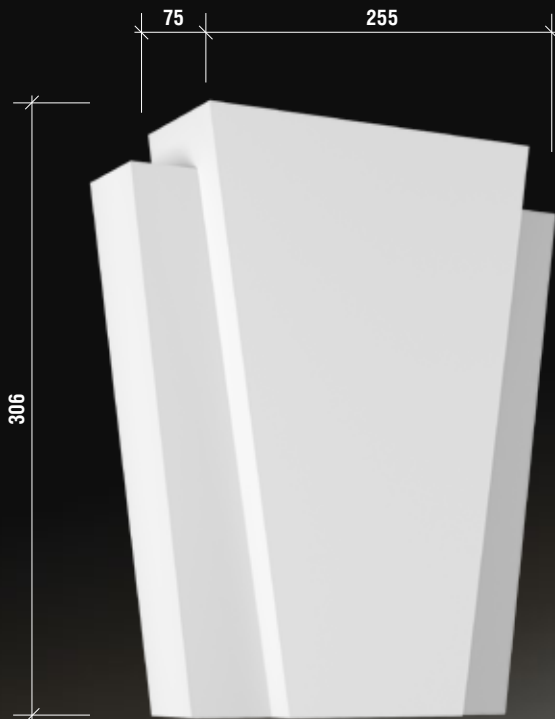
4.85.003 keystone

keystones

4.85.004 keystone



dimensions in millimeters

4.85.005 keystone

window jamb

4.88.001 window jamb

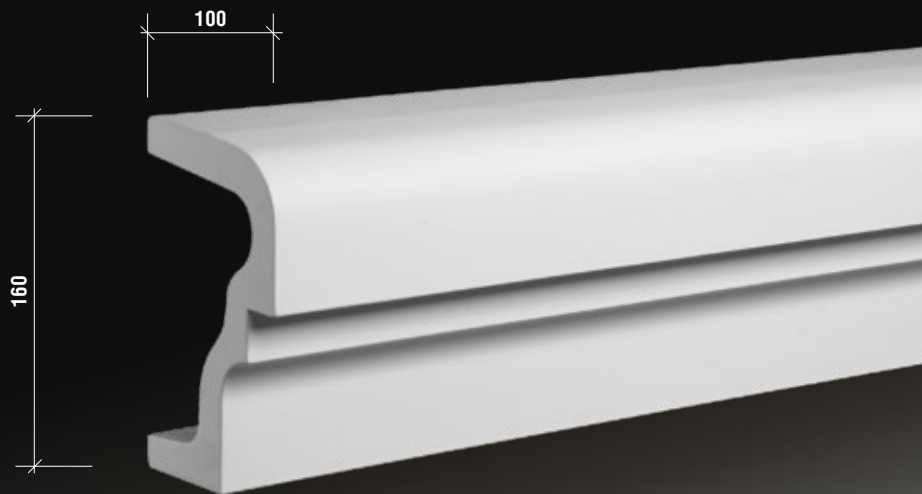
window jamb length 2000 mm



dimensions in millimeters

4.82.001 window ledges

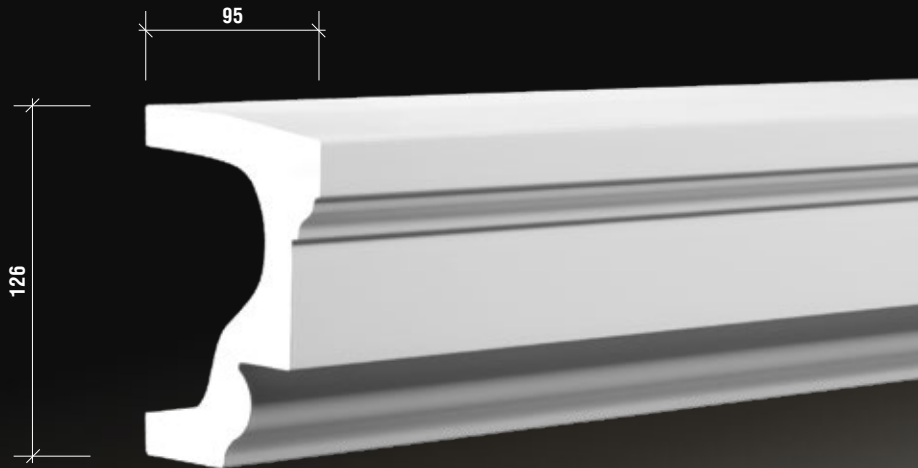
window ledges length 2 meters



window ledges

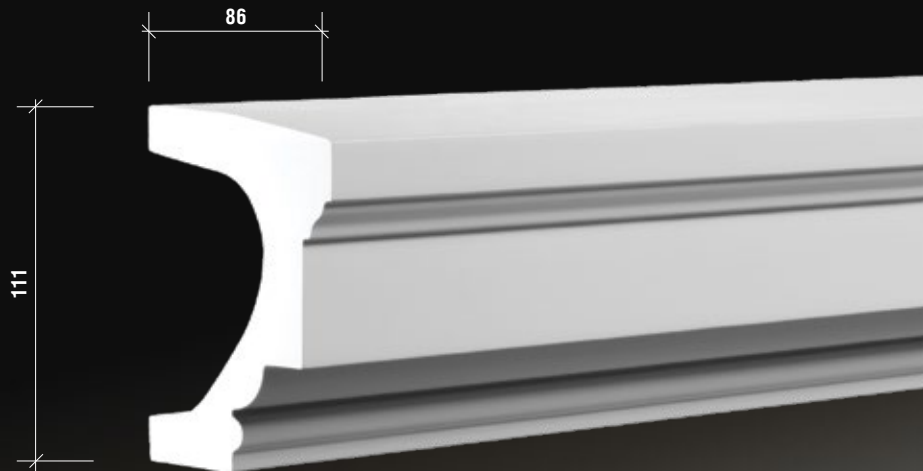
4.82.002 window ledges

window ledges length 2 meters



dimensions in millimeters

4.82.003 window ledges



window ledges

4.82.101 window ledges

window ledges length 2 meters



dimensions in millimeters

4.82.201 window ledges

window ledges length 2 meters



window ledges

4.82.202 window ledges

window ledges length 2 meters



dimensions in millimeters

4.82.301 window ledges

window ledges length 2 meters



window ledges

4.82.302 window ledges

window ledges length 2 meters

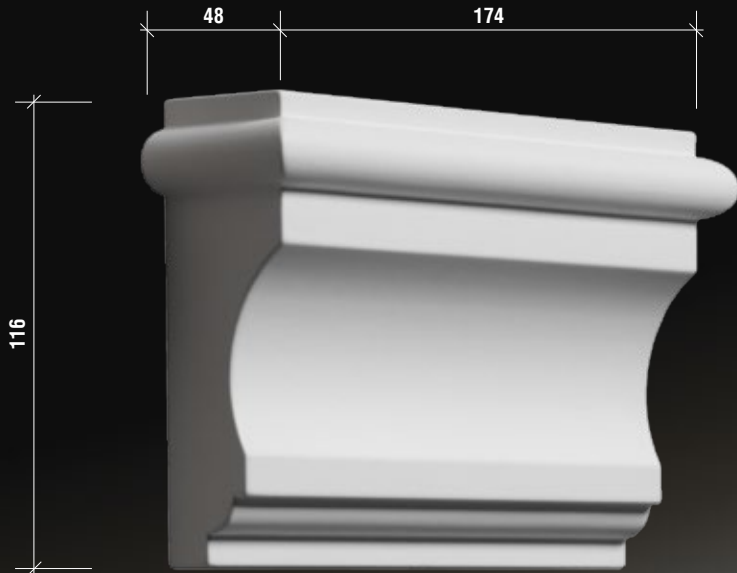


dimensions in millimeters



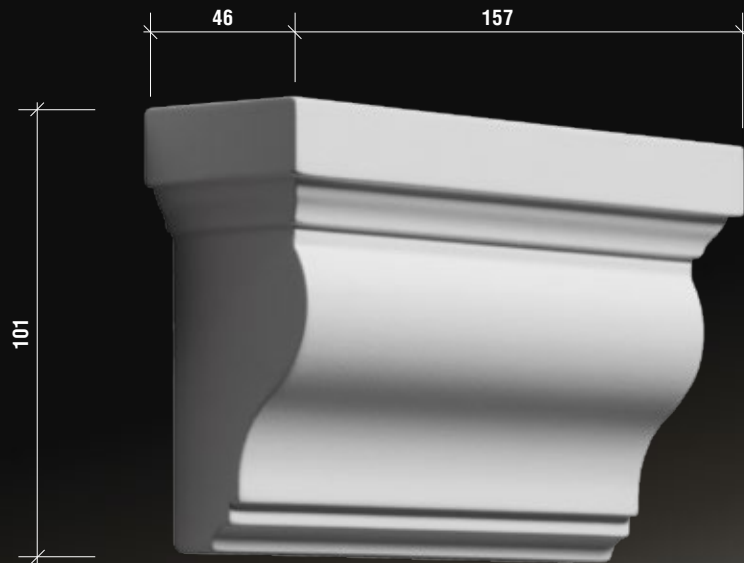
corbels

4.83.002 corbel



dimensions in millimeters

4.83.003 corbel



pediment



dimensions in millimeters

4.89.001 pediment

Pediment depth 54 mm



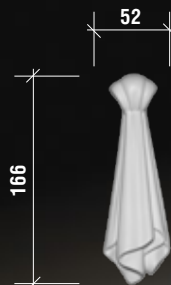
4.99.001 ornament

ornament depth 44 mm



4.99.002 ornament

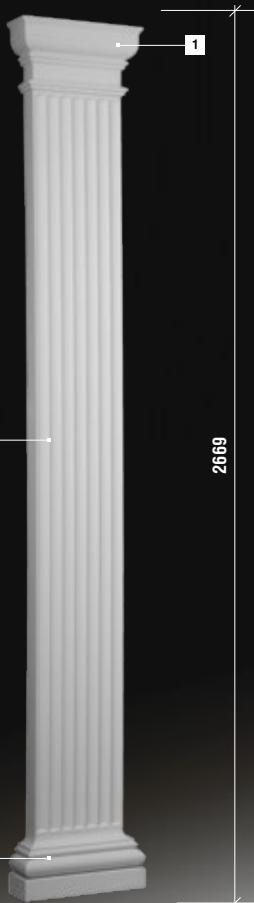
ornament depth 28 mm



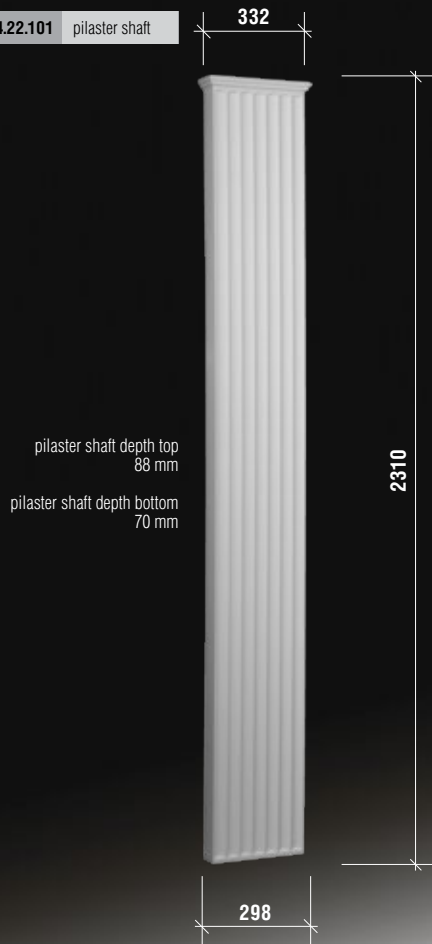
pilasters

pilasters

1	4.21.101	capital
2	4.22.101	pilaster shaft
3	4.23.101	base



4.22.101 pilaster shaft

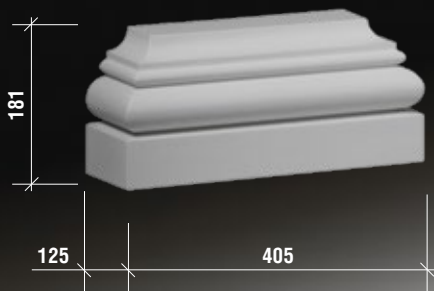


dimensions in millimeters

4.21.101 capital

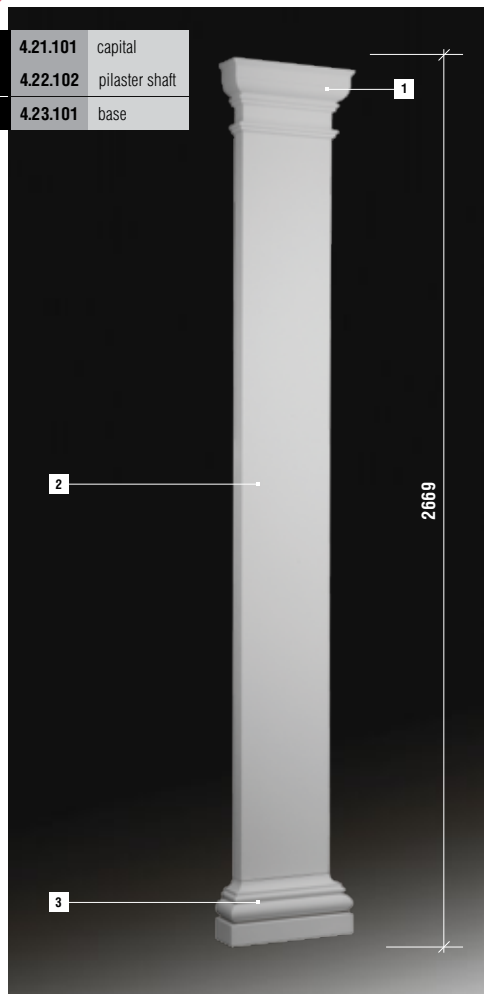


4.23.101 base

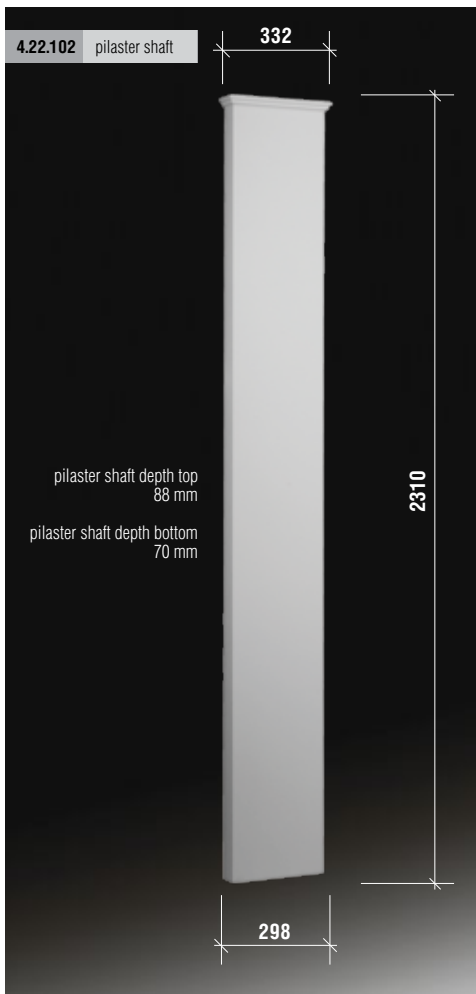


pilasters

1	4.21.101	capital
2	4.22.102	pilaster shaft
3	4.23.101	base



4.22.102	pilaster shaft
----------	----------------

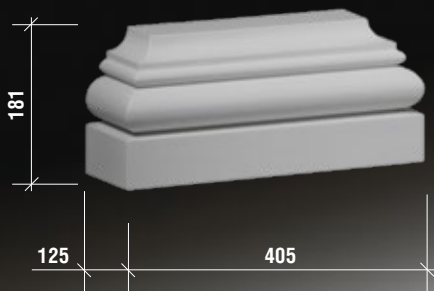


dimensions in millimeters

4.21.101 capital

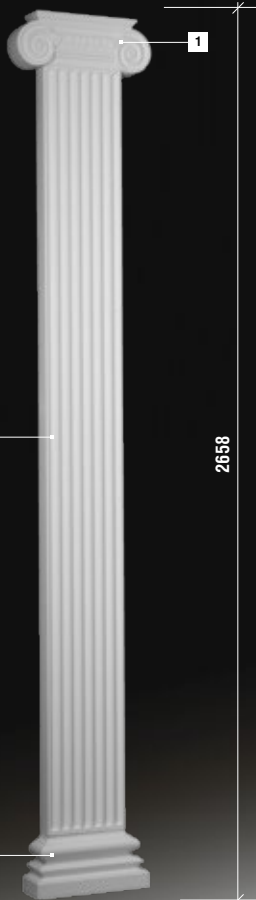


4.23.101 base



pilasters

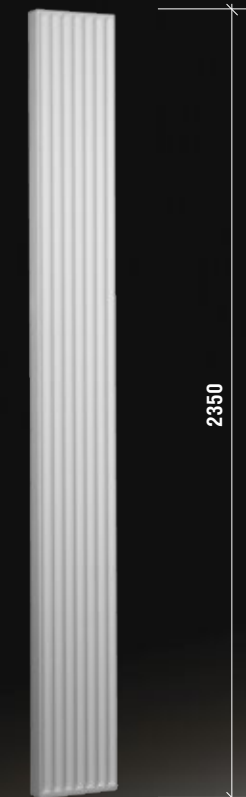
1	4.21.201	capital
2	4.22.201	pilaster shaft
3	4.23.201	base



4.22.201 pilaster shaft

260

pilaster shaft depth
62 mm



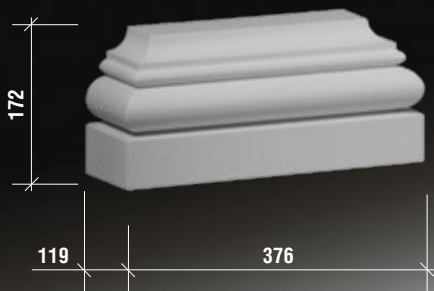
260

dimensions in millimeters

4.21.201 capital

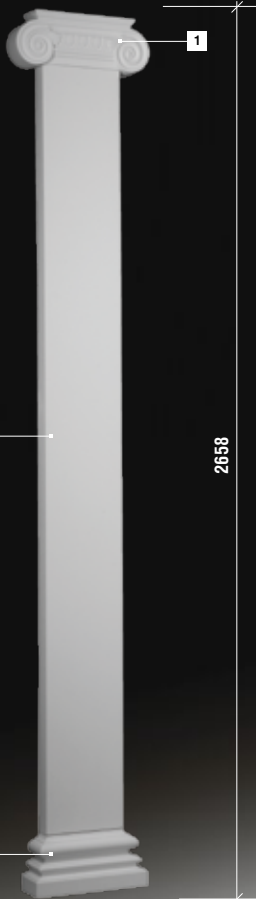


4.23.201 base



pilasters

1	4.21.201	capital
2	4.22.202	pilaster shaft
3	4.23.201	base



4.22.202	pilaster shaft
----------	----------------

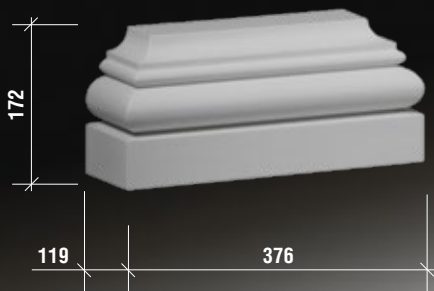


dimensions in millimeters

4.21.201 capital

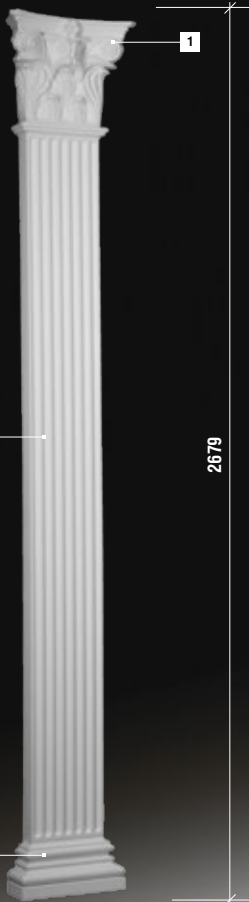


4.23.201 base

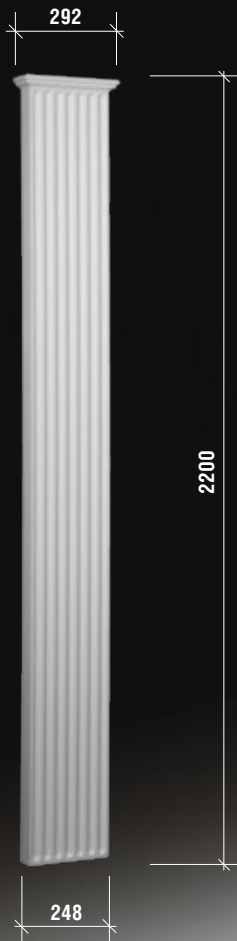


pilasters

1	4.21.301	capital
2	4.22.301	pilaster shaft
3	4.23.301	base



4.22.301	pilaster shaft
-----------------	----------------

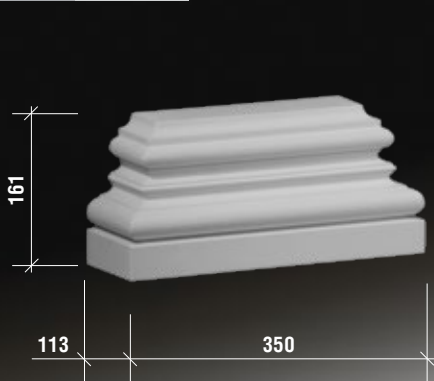


dimensions in millimeters

4.21.301 capital



4.23.301 base

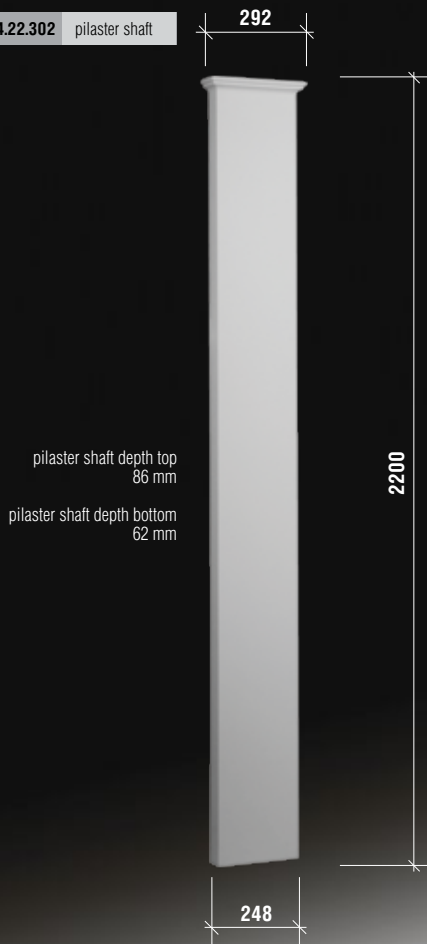


pilasters

1	4.21.301	capital
2	4.22.302	pilaster shaft
3	4.23.301	base



4.22.302	pilaster shaft
----------	----------------

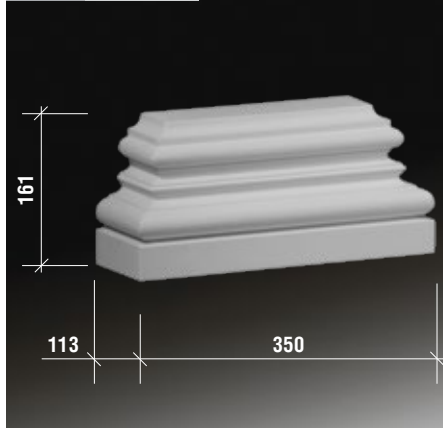


dimensions in millimeters

4.21.301 capital

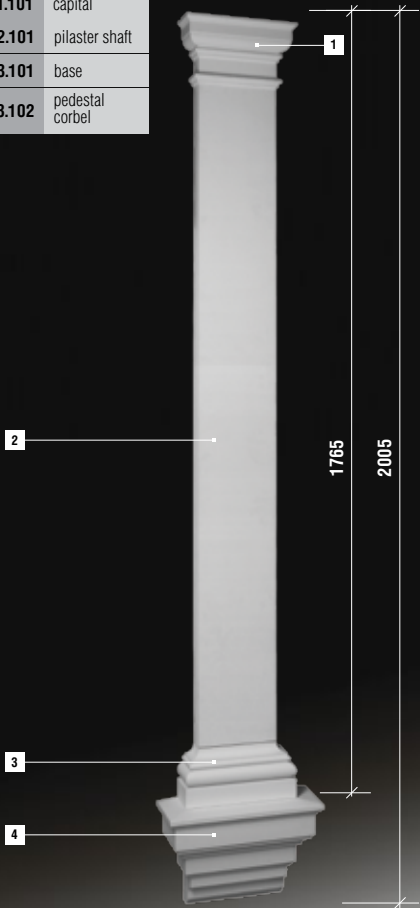


4.23.301 base



pilasters

1	4.51.101	capital
2	4.52.101	pilaster shaft
3	4.53.101	base
4	4.83.102	pedestal corbel



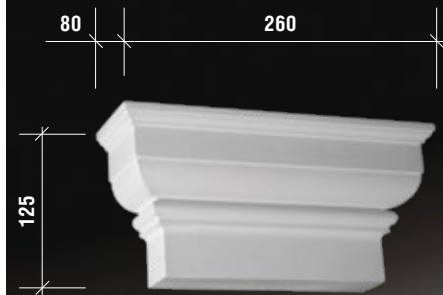
4.52.101 pilaster shaft

pilaster shaft depth
54 mm

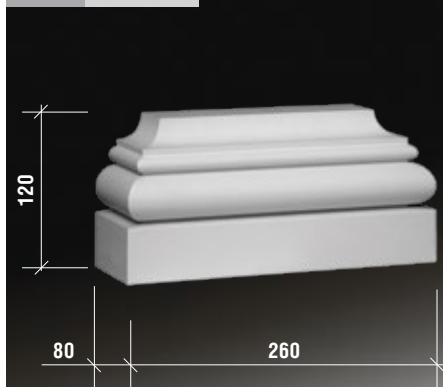


dimensions in millimeters

4.51.101 capital



4.53.101 base

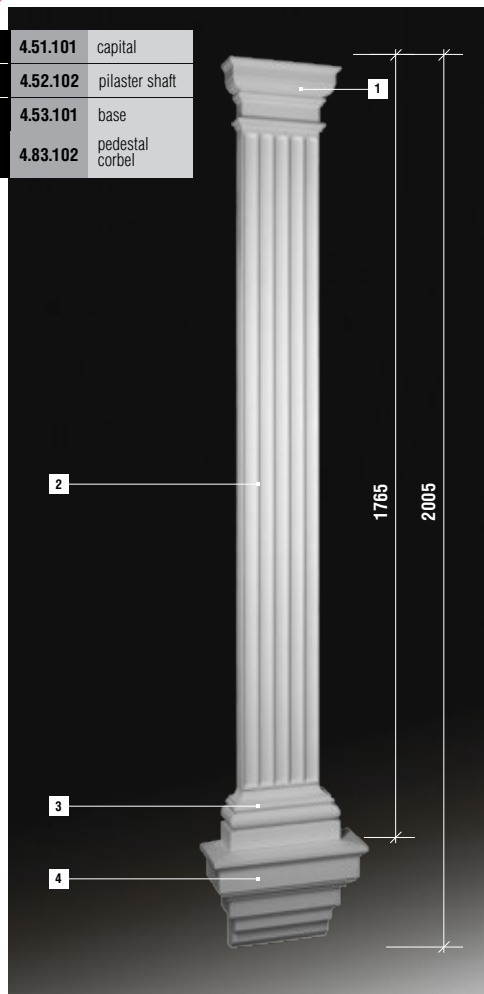


4.83.102 pedestal corbel

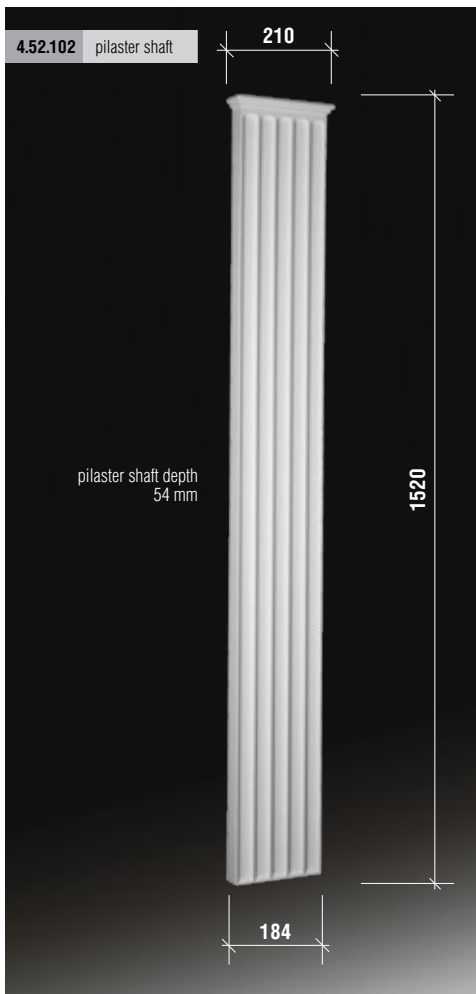


pilasters

1	4.51.101	capital
2	4.52.102	pilaster shaft
3	4.53.101	base
4	4.83.102	pedestal corbel

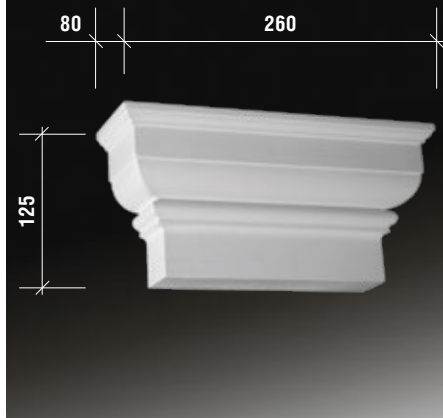


4.52.102 pilaster shaft

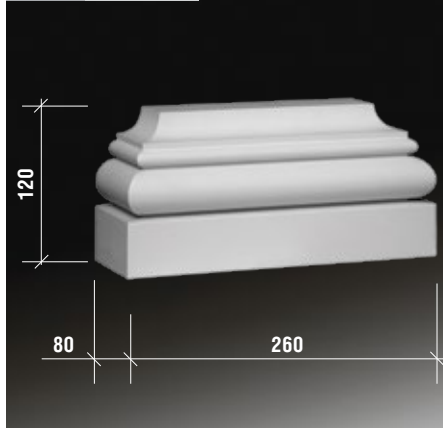


dimensions in millimeters

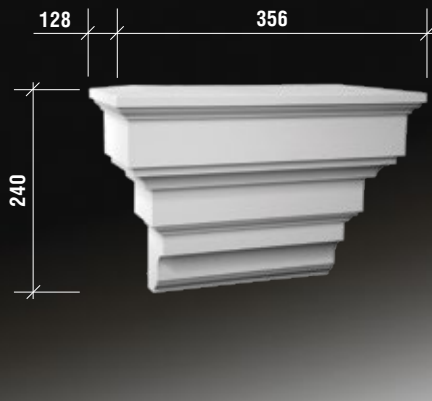
4.51.101 capital



4.53.101 base

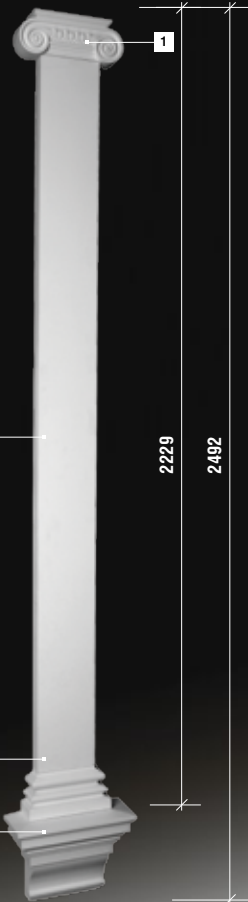


4.83.102 pedestal corbel



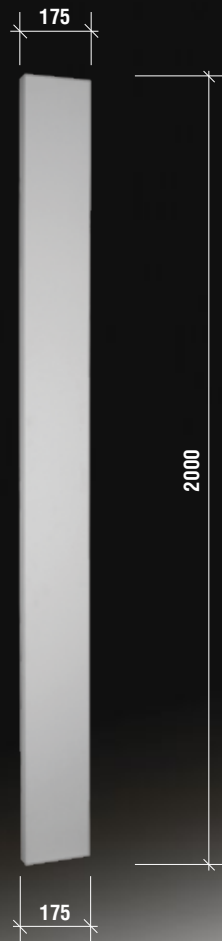
pilasters

1	4.51.201	capital
2	4.52.201	pilaster shaft
3	4.53.201	base
4	4.83.202	pedestal corbel



4.52.201	pilaster shaft
----------	----------------

pilaster shaft depth
42 mm

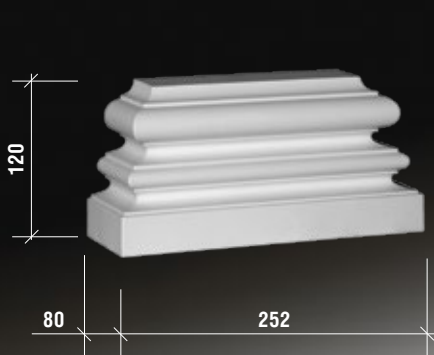


dimensions in millimeters

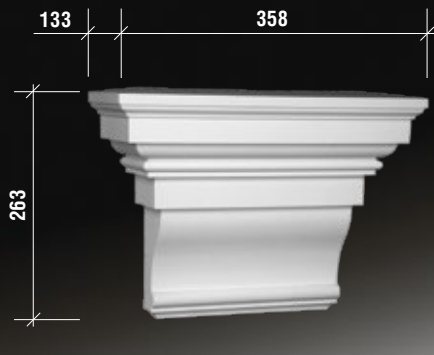
4.51.201 capital



4.53.201 base

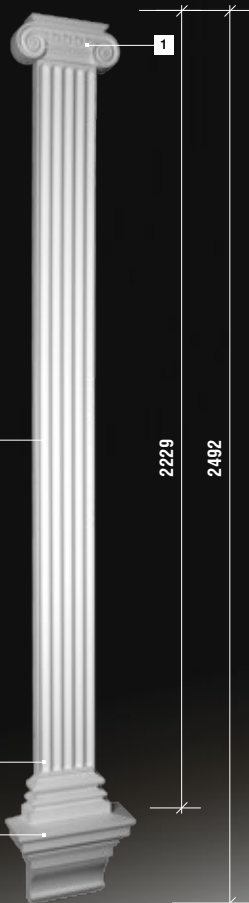


4.83.202 pedestal corbel



pilasters

1	4.51.201	capital
2	4.52.202	pilaster shaft
3	4.53.201	base
4	4.83.202	pedestal corbel



4.52.202 pilaster shaft

175

pilaster shaft depth
42 mm

2000

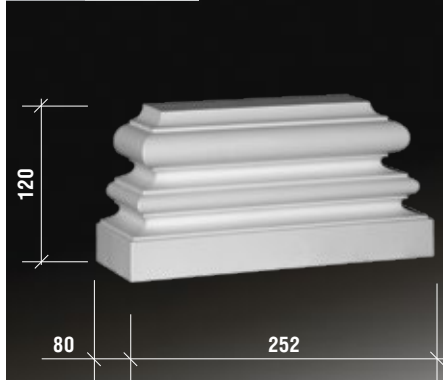
175

dimensions in millimeters

4.51.201 capital



4.53.201 base

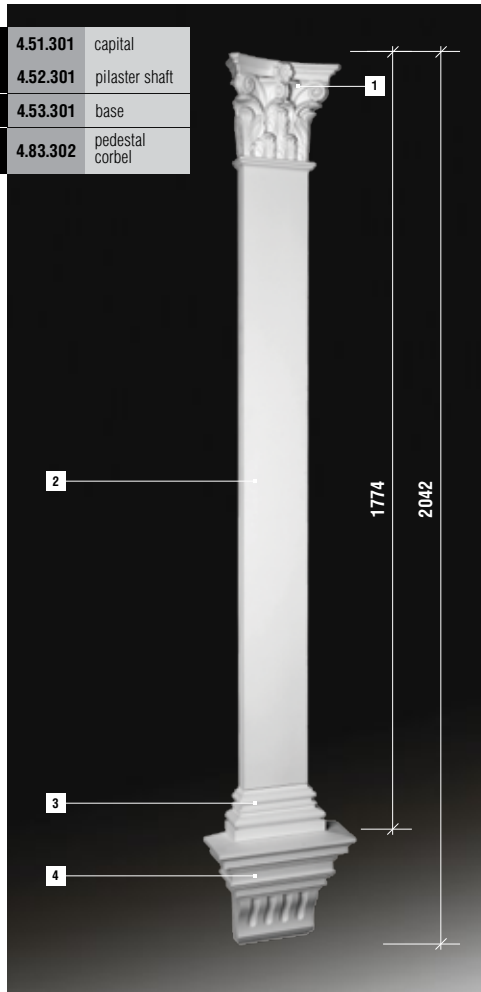


4.83.202 pedestal corbel



pilasters

1	4.51.301	capital
2	4.52.301	pilaster shaft
3	4.53.301	base
4	4.83.302	pedestal corbel



4.52.301	pilaster shaft
----------	----------------

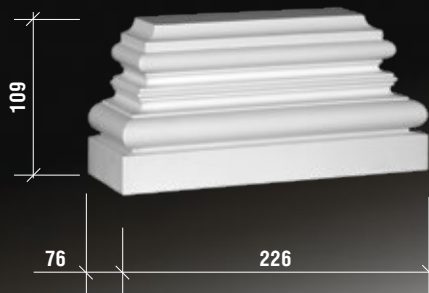


dimensions in millimeters

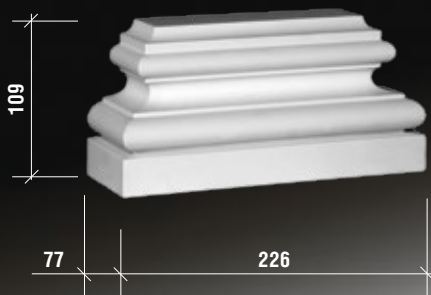
4.51.301 capital



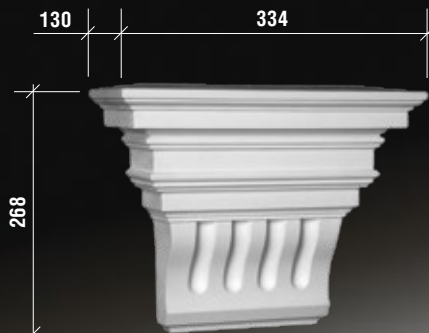
4.53.301 base



4.53.302 base

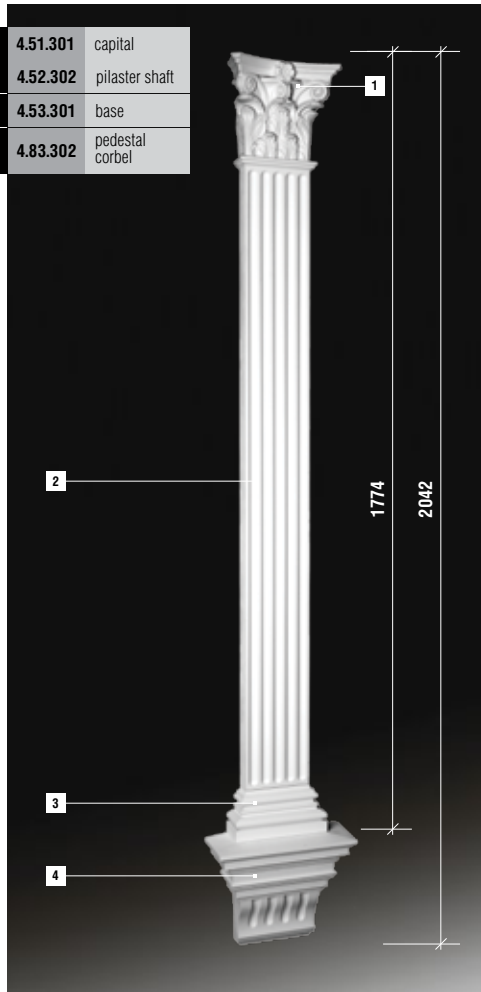


4.83.302 pedestal corbel

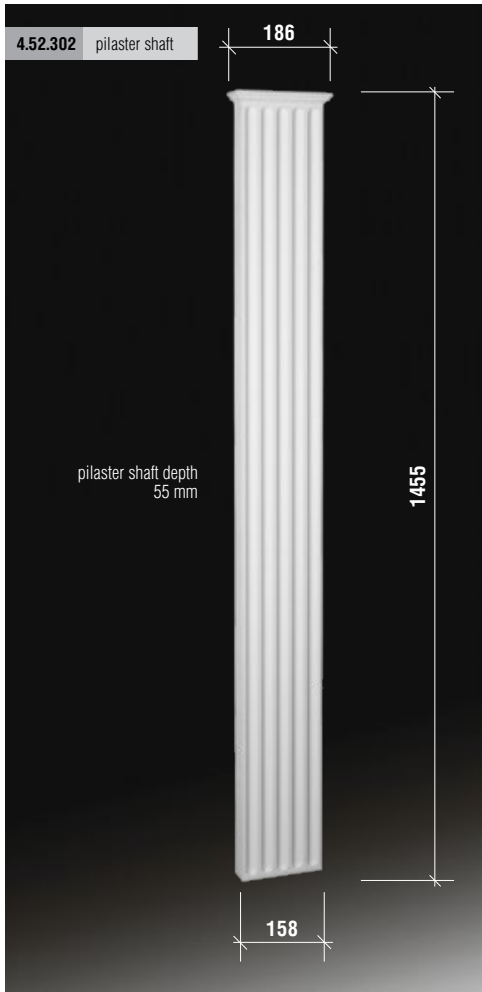


pilasters

1	4.51.301	capital
2	4.52.302	pilaster shaft
3	4.53.301	base
4	4.83.302	pedestal corbel



4.52.302	pilaster shaft
----------	----------------

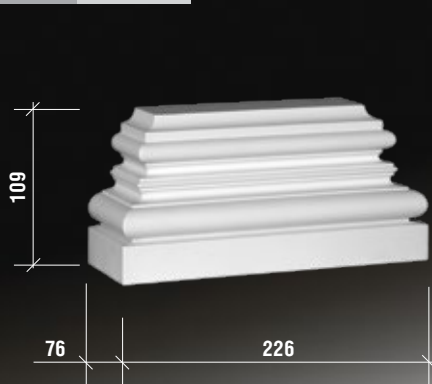


dimensions in millimeters

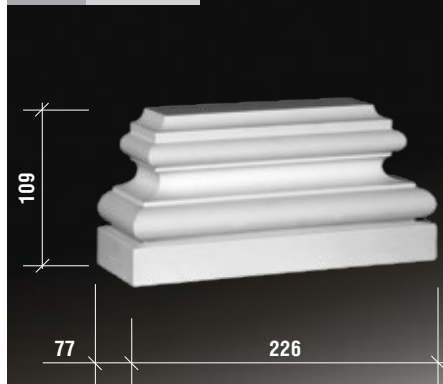
4.51.301 capital



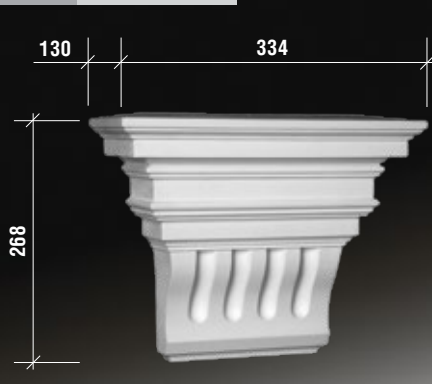
4.53.301 base



4.53.302 base



4.83.302 pedestal corbel



bossages

bossages

4.86.001 bossage

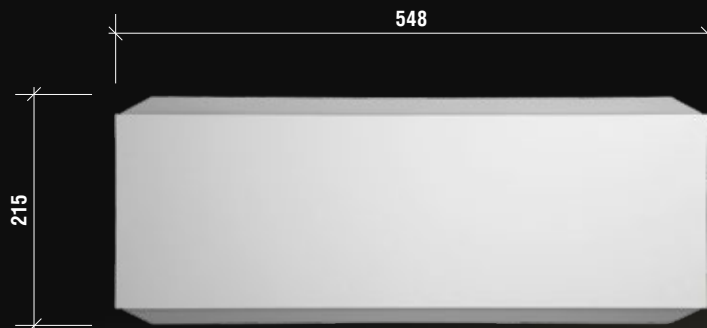
bossage depth 42 mm



dimensions in millimeters

4.86.002 bossage

bossage depth 38 mm



bossages

4.86.003 bossage

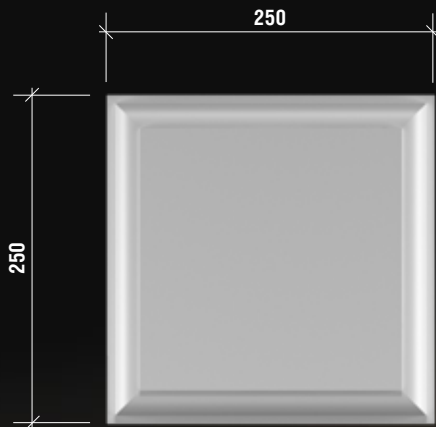
bossage depth 40 mm



dimensions in millimeters

4.86.004 bossage

bossage depth 40 mm



bossages

4.86.005 bossage

bossage depth 42 mm



dimensions in millimeters

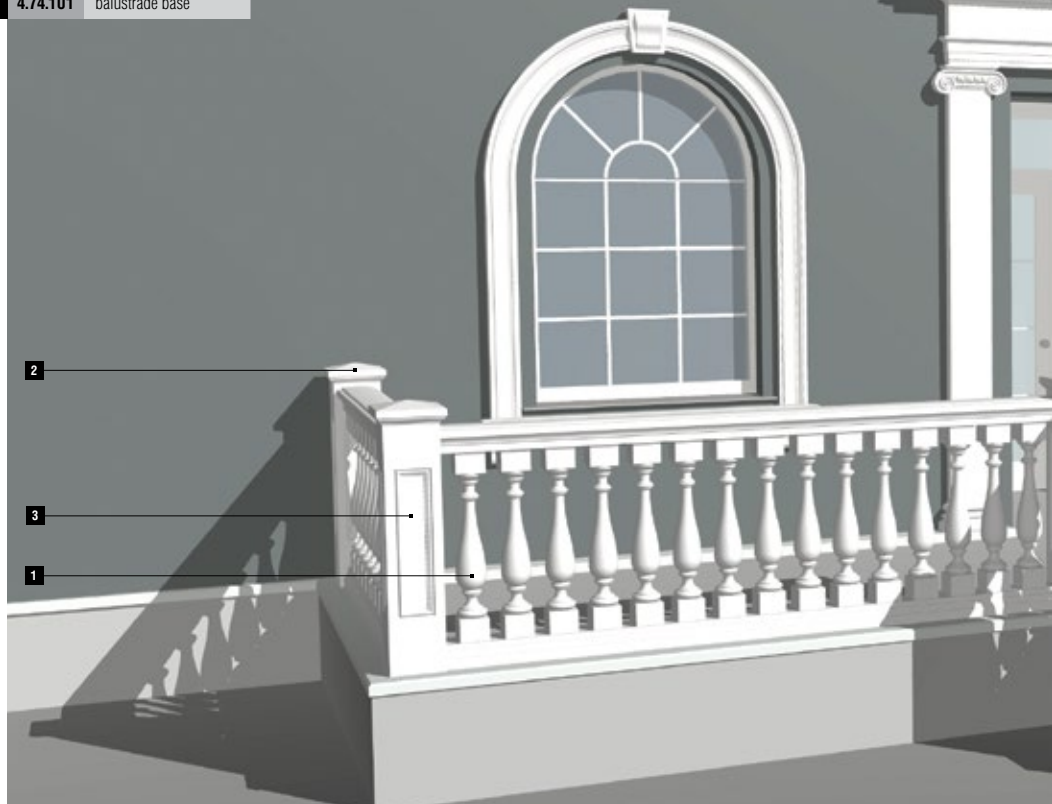


examples

balustrades	220
main entrances	227
cornices	
main cornices	256
facade mouldings	292
window frames	
windows with pilasters	330
windows with half columns	344
windows with keystones	351
bossages	361
examples	365

balustrades

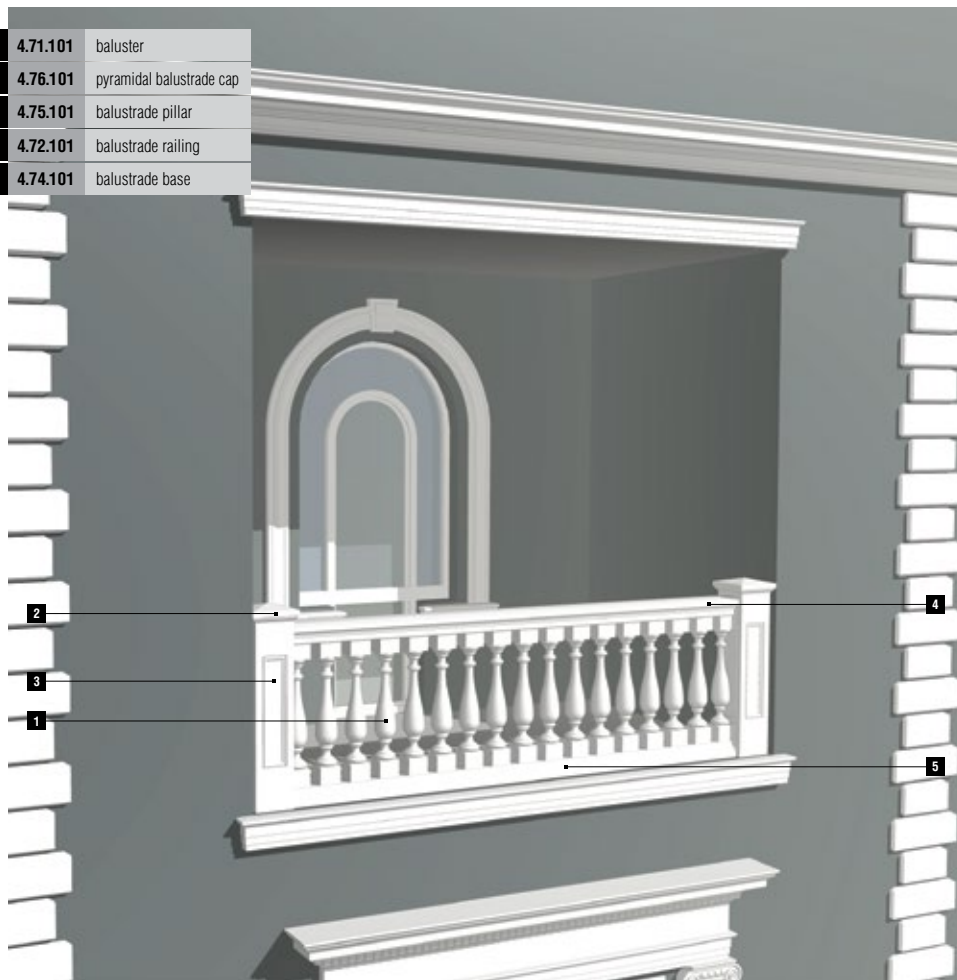
1	4.71.101	baluster
2	4.76.101	pyramidal balustrade cap
3	4.75.101	balustrade pillar
4	4.72.101	balustrade railing
5	4.74.101	balustrade base



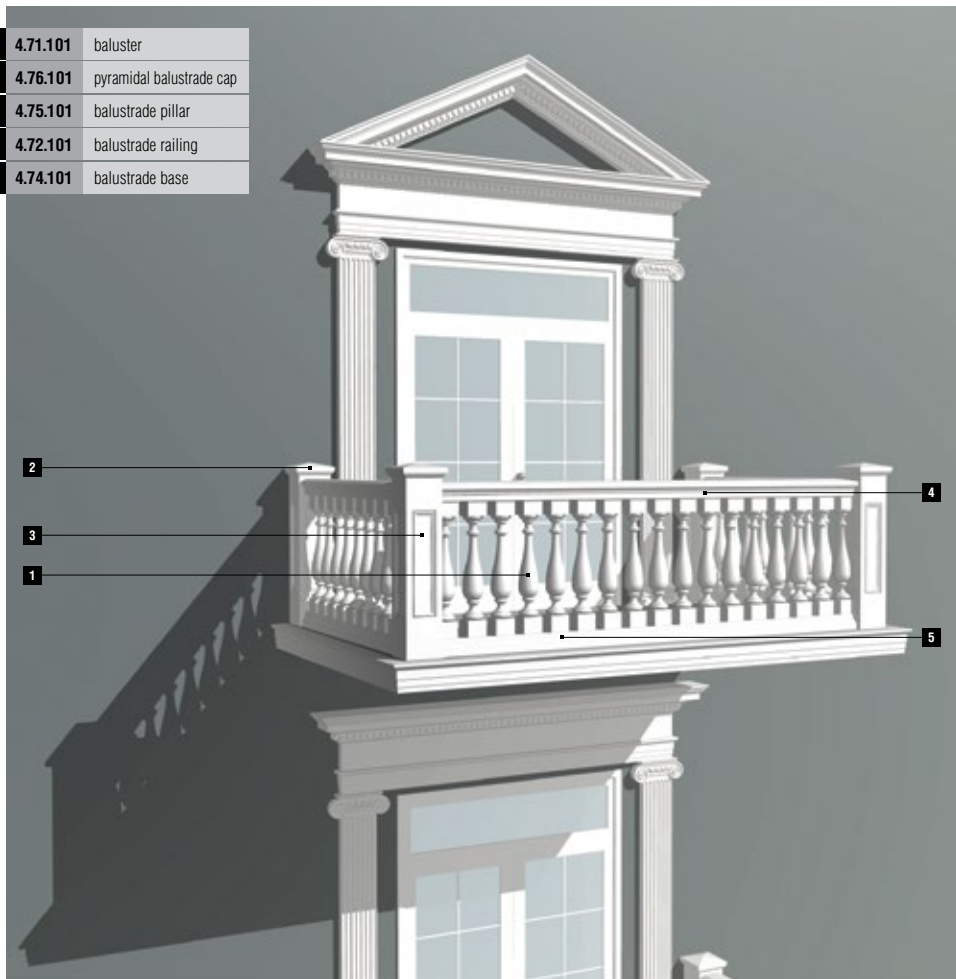


balustrades

1	4.71.101	baluster
2	4.76.101	pyramidal balustrade cap
3	4.75.101	balustrade pillar
4	4.72.101	balustrade railing
5	4.74.101	balustrade base

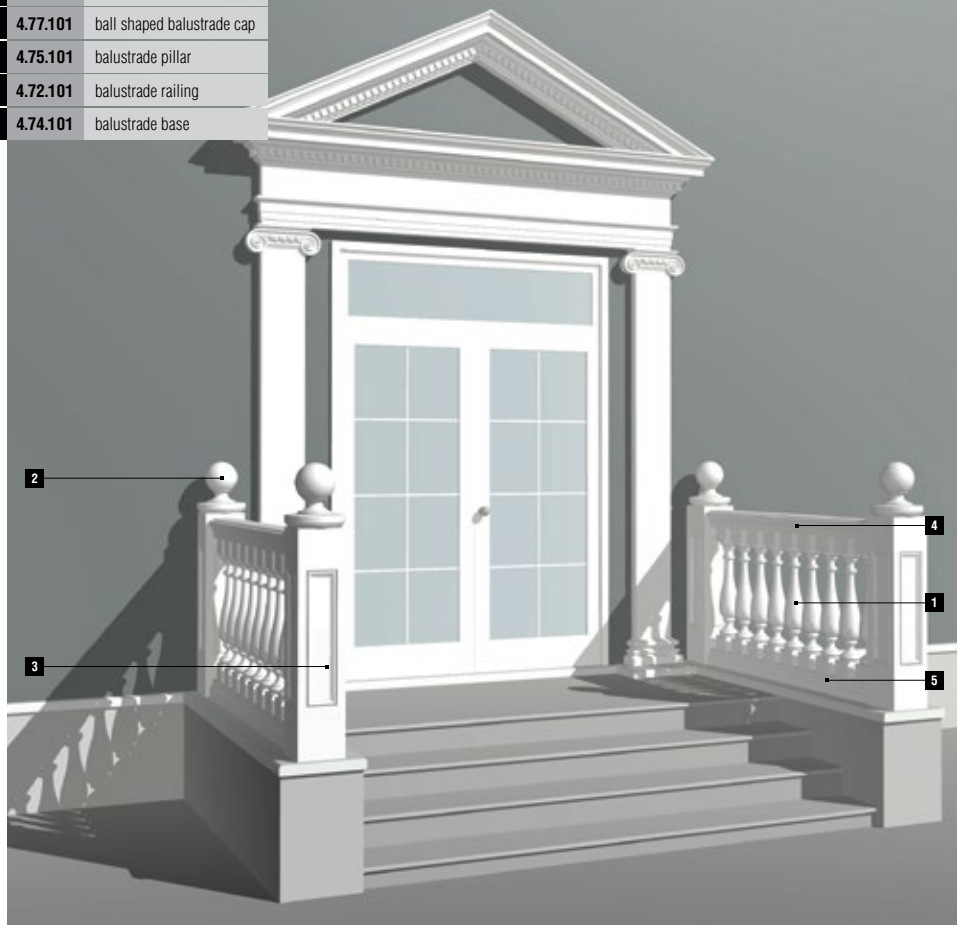


1	4.71.101	baluster
2	4.76.101	pyramidal balustrade cap
3	4.75.101	balustrade pillar
4	4.72.101	balustrade railing
5	4.74.101	balustrade base

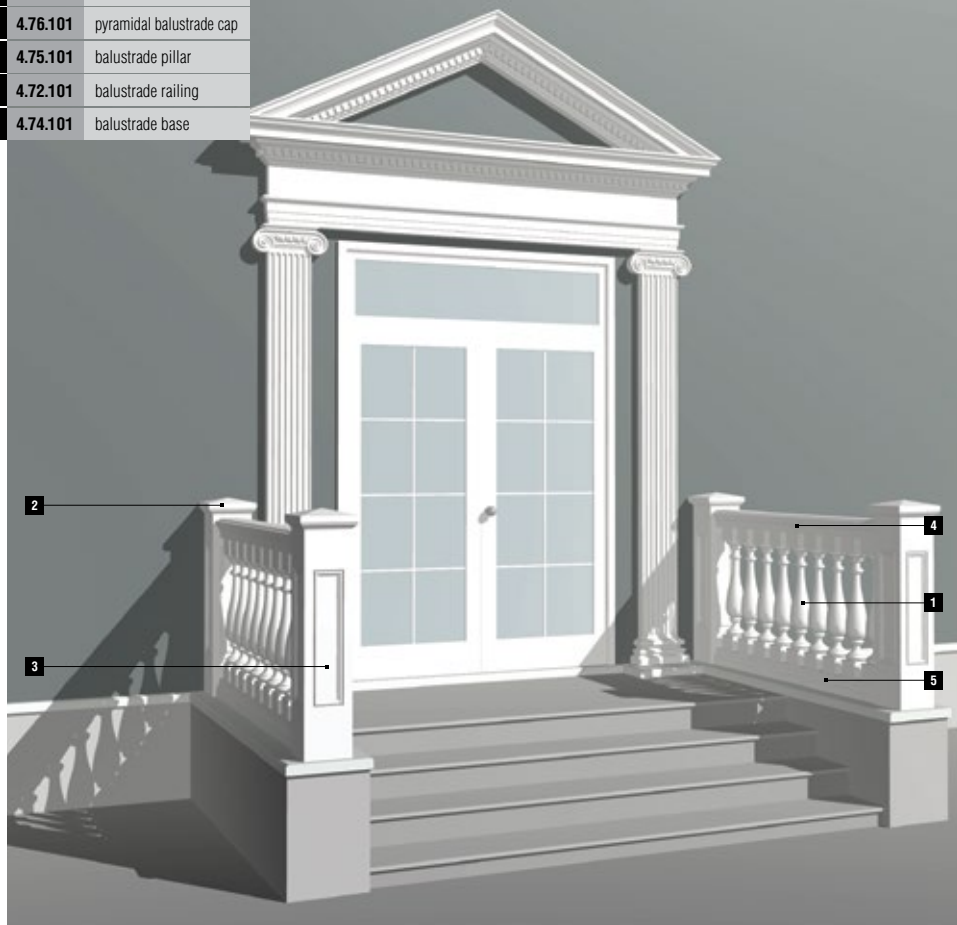


balustrades

1	4.71.101	baluster
2	4.77.101	ball shaped balustrade cap
3	4.75.101	balustrade pillar
4	4.72.101	balustrade railing
5	4.74.101	balustrade base



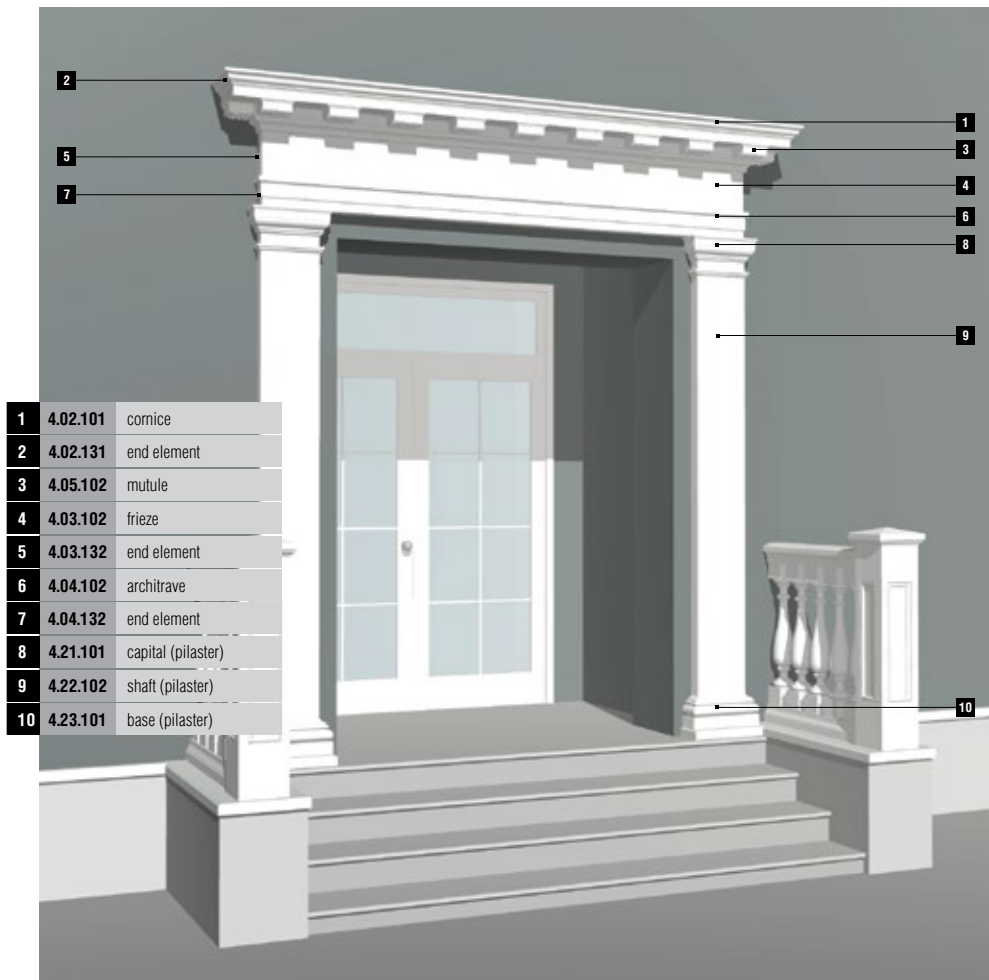
1	4.71.101	baluster
2	4.76.101	pyramidal balustrade cap
3	4.75.101	balustrade pillar
4	4.72.101	balustrade railing
5	4.74.101	balustrade base



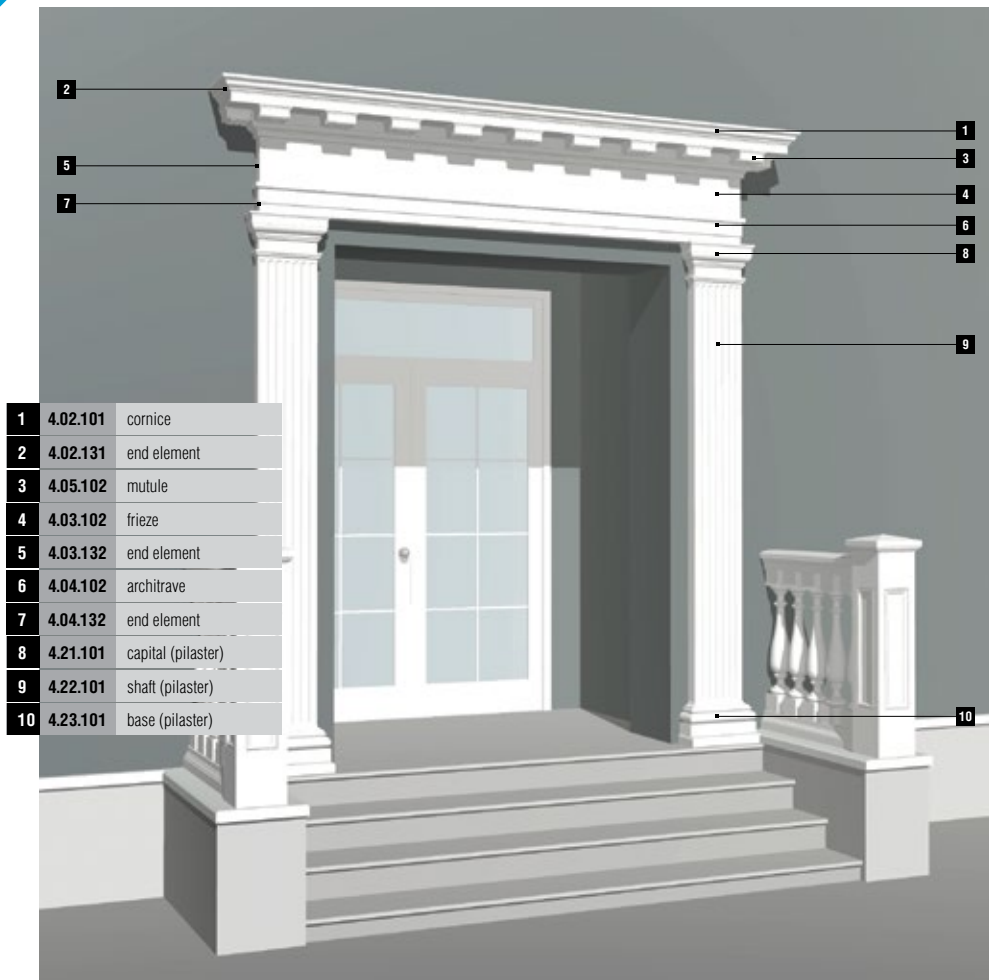
balustrades

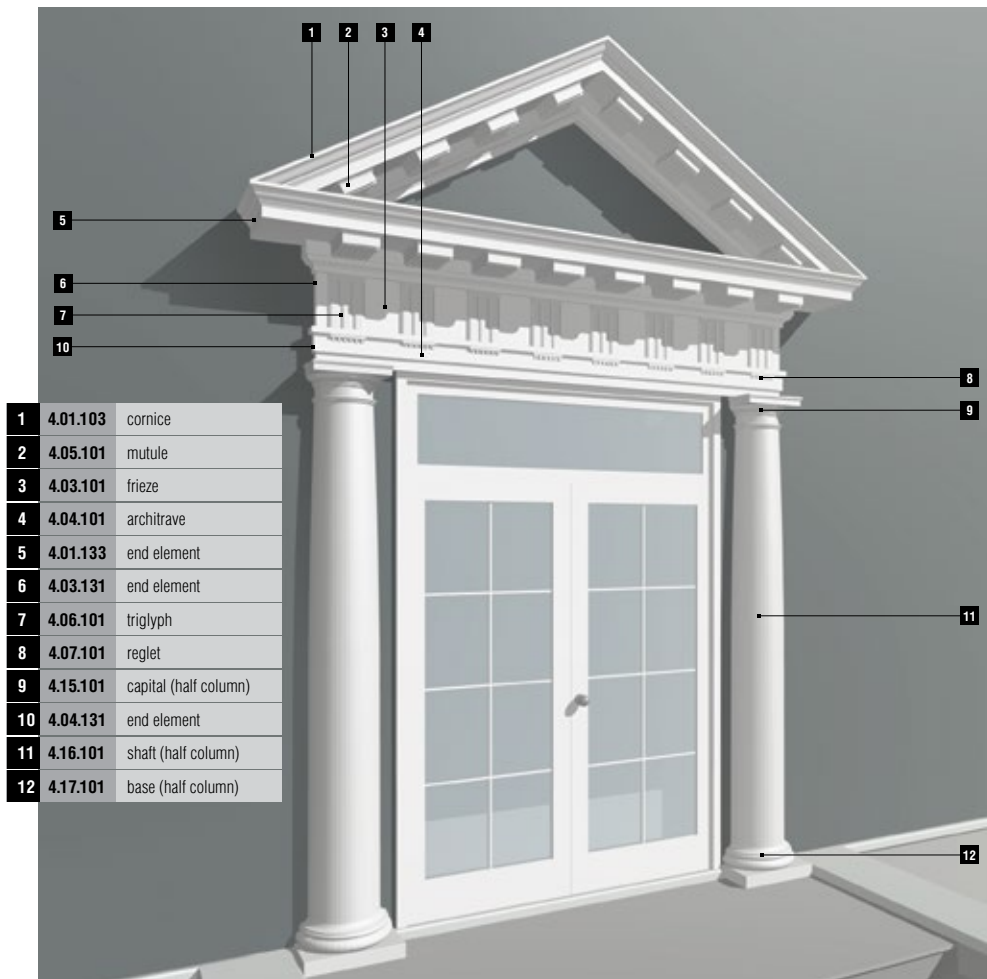
1	4.71.101	baluster
2	4.76.101	pyramidal balustrade cap
3	4.75.101	balustrade pillar
4	4.72.101	balustrade railing
5	4.74.101	balustrade base



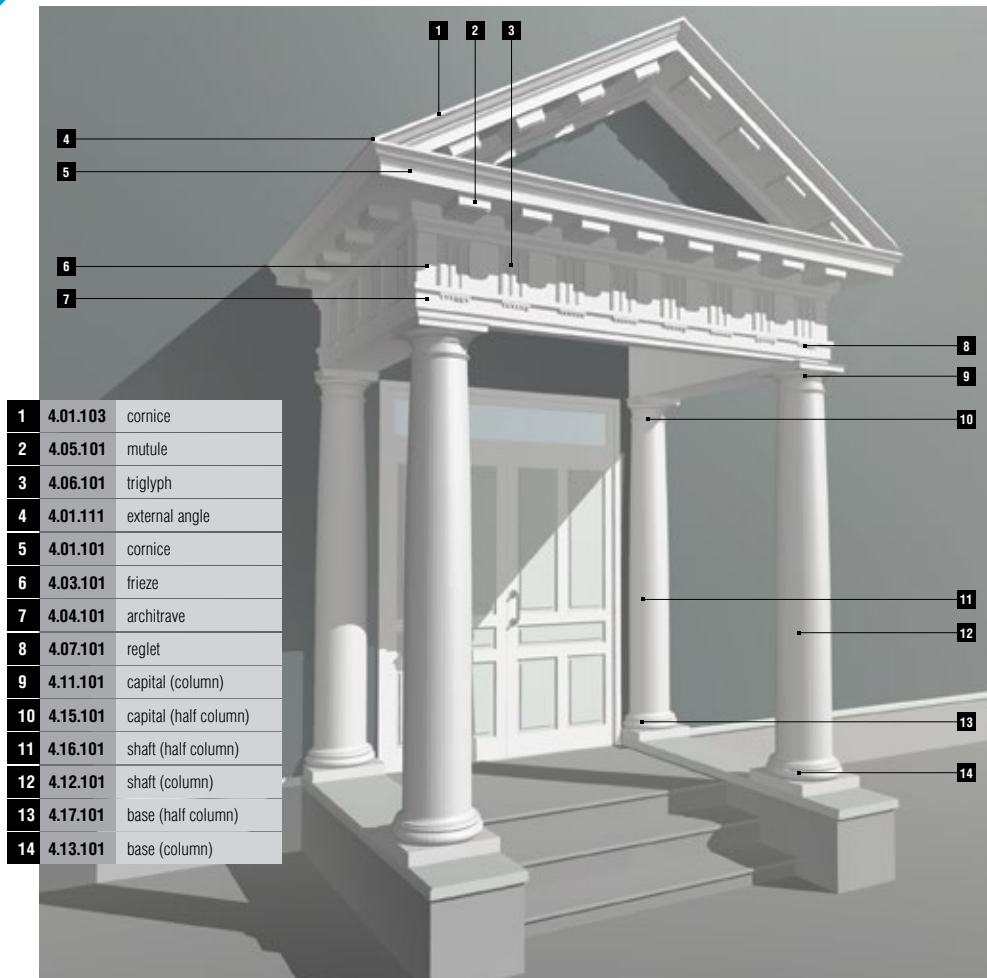


main entrances

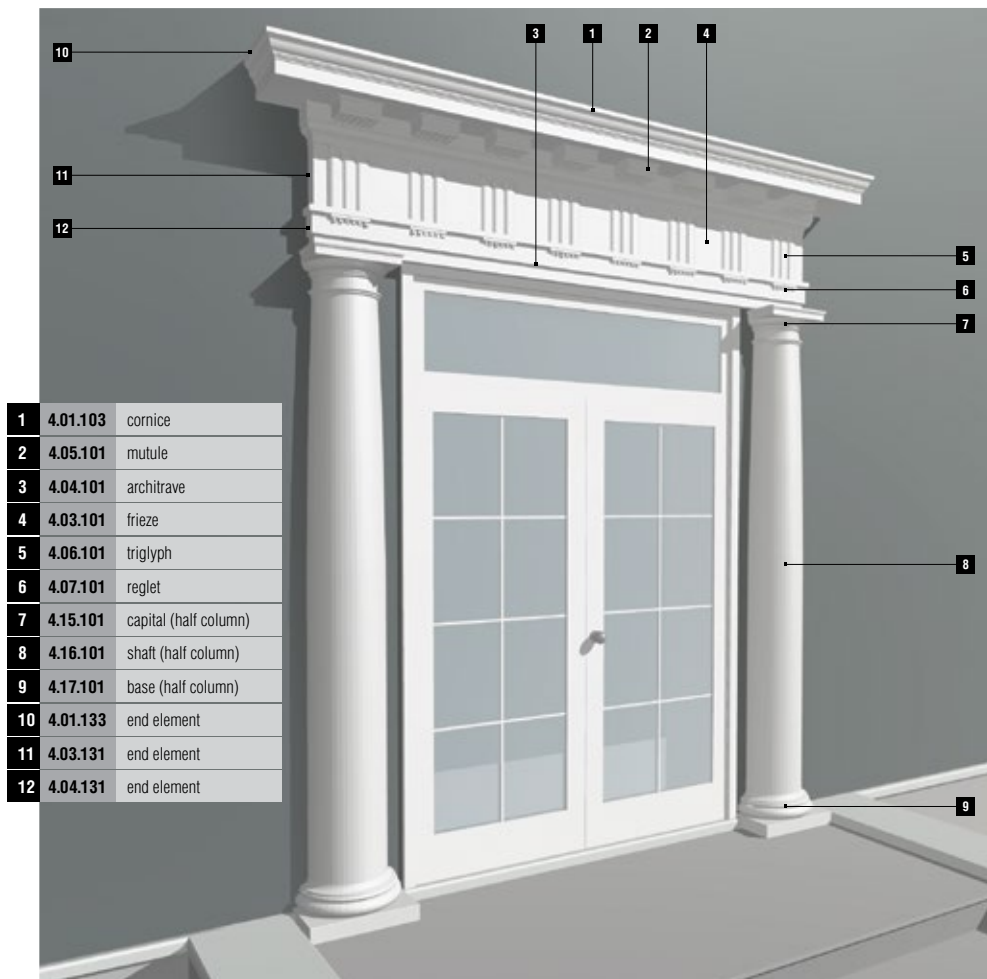




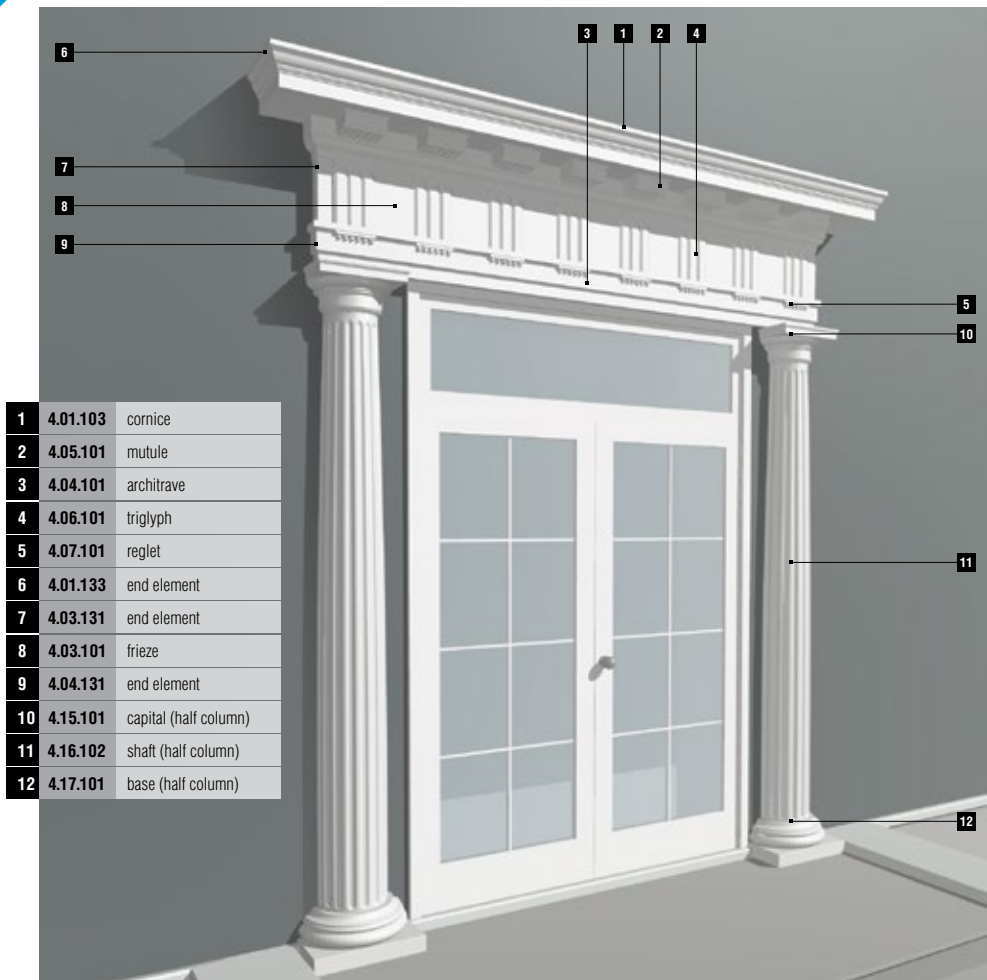
main entrances



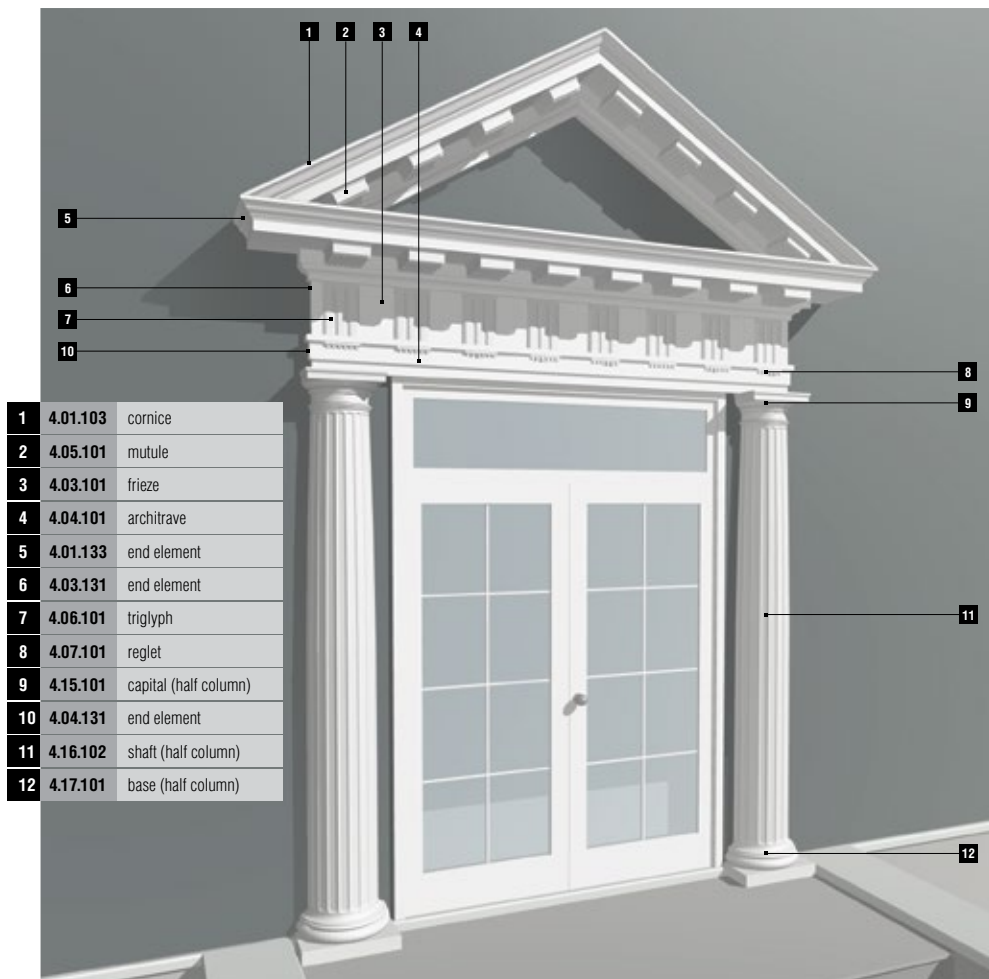
1	4.01.103	cornice
2	4.05.101	mutule
3	4.06.101	triglyph
4	4.01.111	external angle
5	4.01.101	cornice
6	4.03.101	frieze
7	4.04.101	architrave
8	4.07.101	reglet
9	4.11.101	capital (column)
10	4.15.101	capital (half column)
11	4.16.101	shaft (half column)
12	4.12.101	shaft (column)
13	4.17.101	base (half column)
14	4.13.101	base (column)



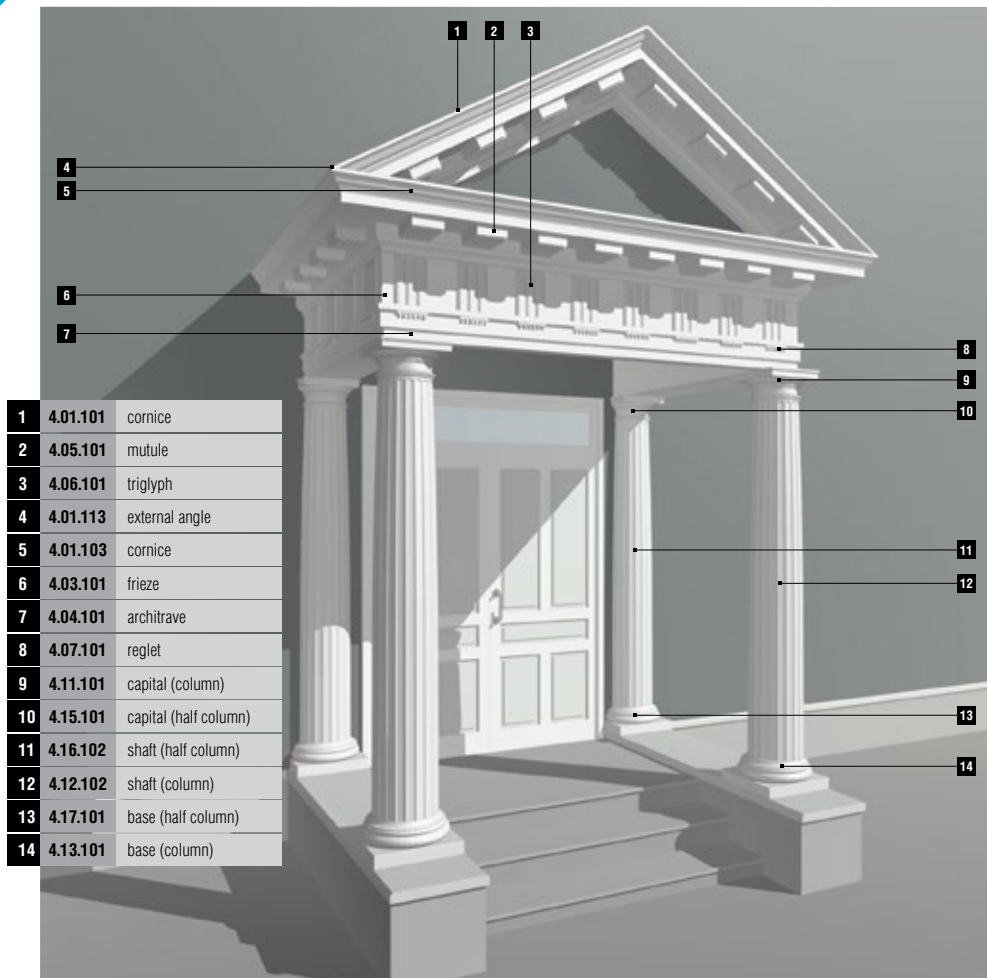
main entrances



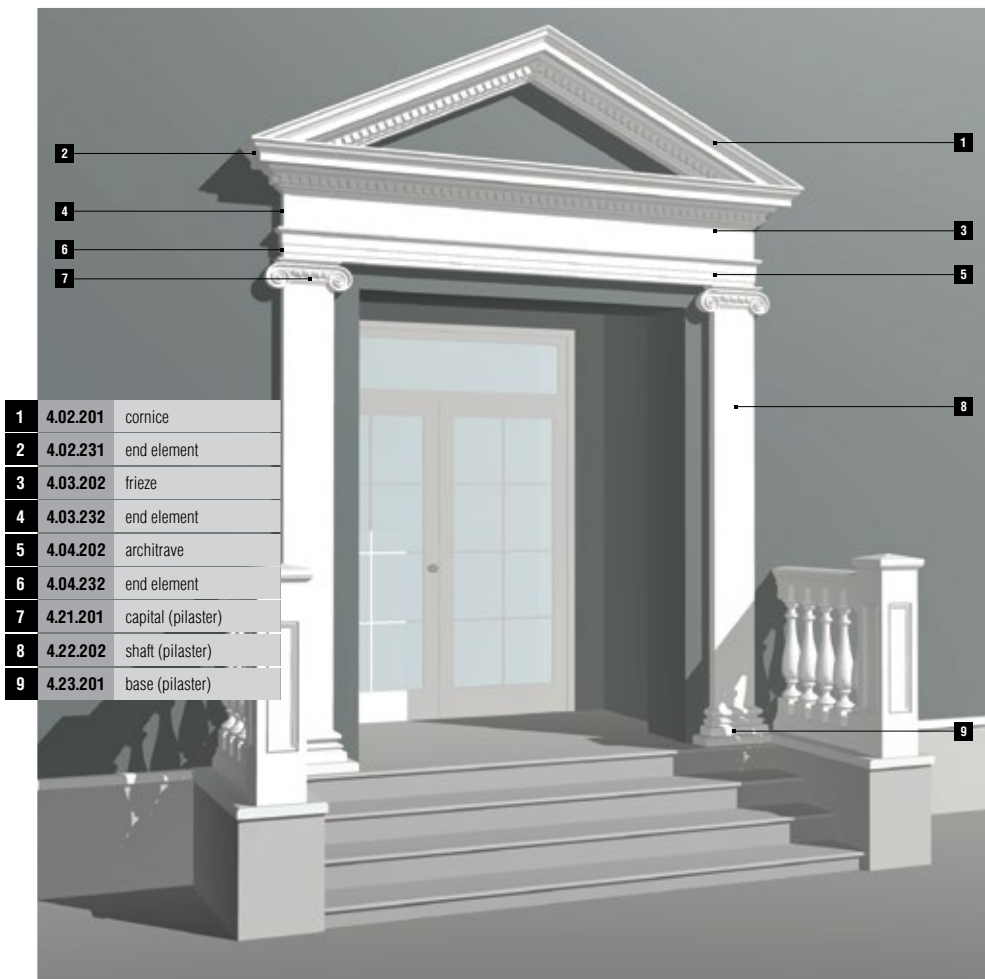
1	4.01.103	cornice
2	4.05.101	mutule
3	4.04.101	architrave
4	4.06.101	triglyph
5	4.07.101	reglet
6	4.01.133	end element
7	4.03.131	end element
8	4.03.101	frieze
9	4.04.131	end element
10	4.15.101	capital (half column)
11	4.16.102	shaft (half column)
12	4.17.101	base (half column)



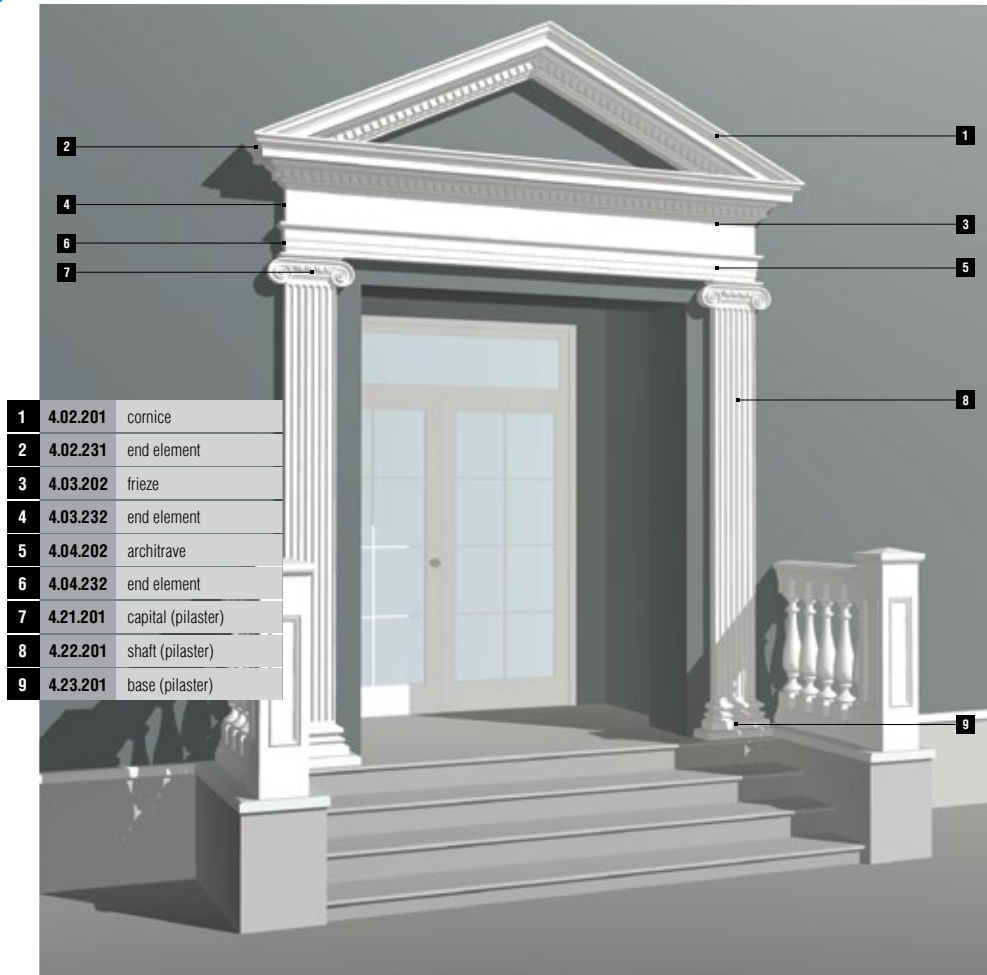
main entrances



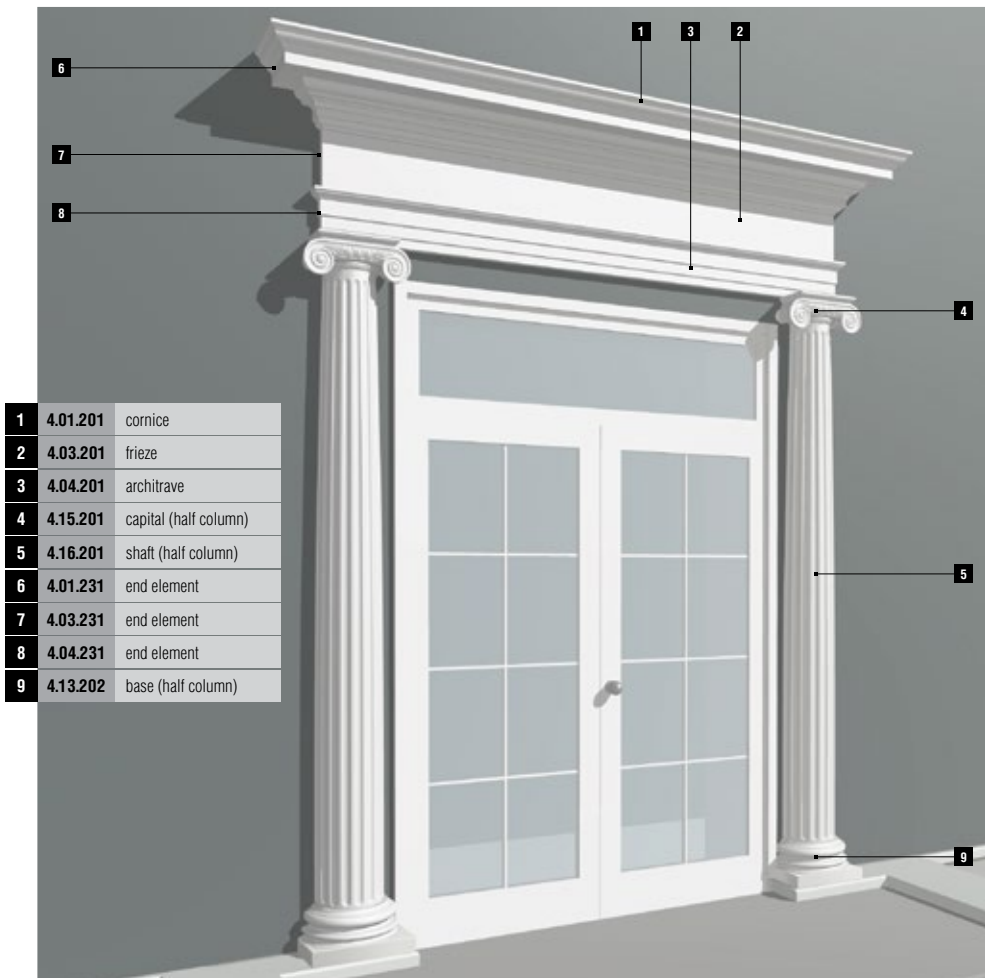
1	4.01.101	cornice
2	4.05.101	mutule
3	4.06.101	triglyph
4	4.01.113	external angle
5	4.01.103	cornice
6	4.03.101	frieze
7	4.04.101	architrave
8	4.07.101	reglet
9	4.11.101	capital (column)
10	4.15.101	capital (half column)
11	4.16.102	shaft (half column)
12	4.12.102	shaft (column)
13	4.17.101	base (half column)
14	4.13.101	base (column)



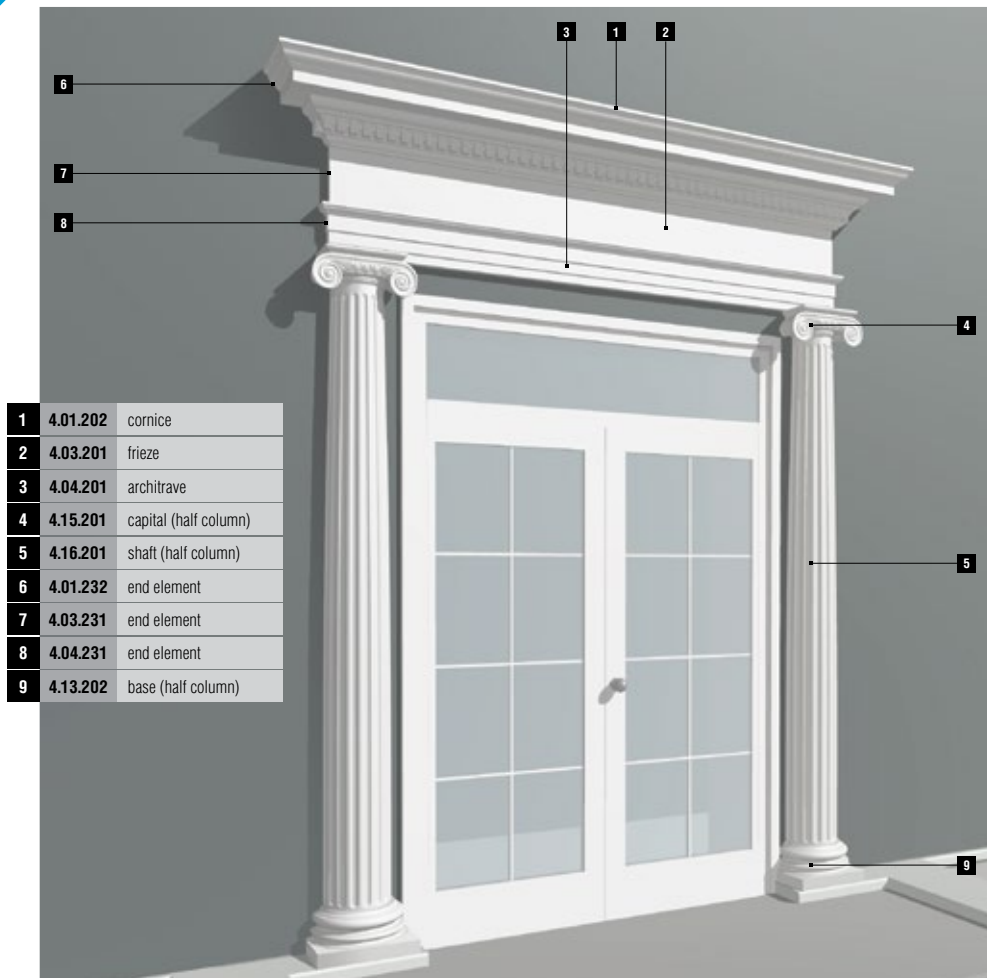
main entrances



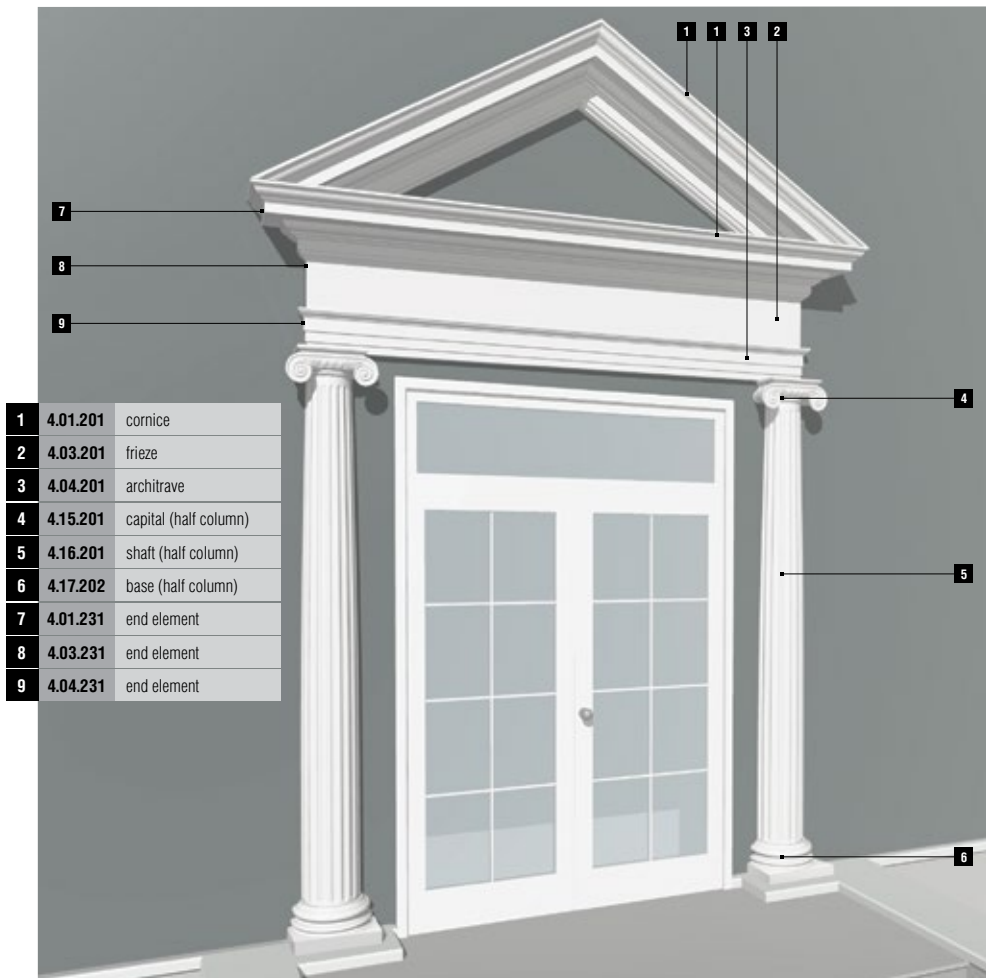
1	4.02.201	cornice
2	4.02.231	end element
3	4.03.202	frieze
4	4.03.232	end element
5	4.04.202	architrave
6	4.04.232	end element
7	4.21.201	capital (pilaster)
8	4.22.201	shaft (pilaster)
9	4.23.201	base (pilaster)



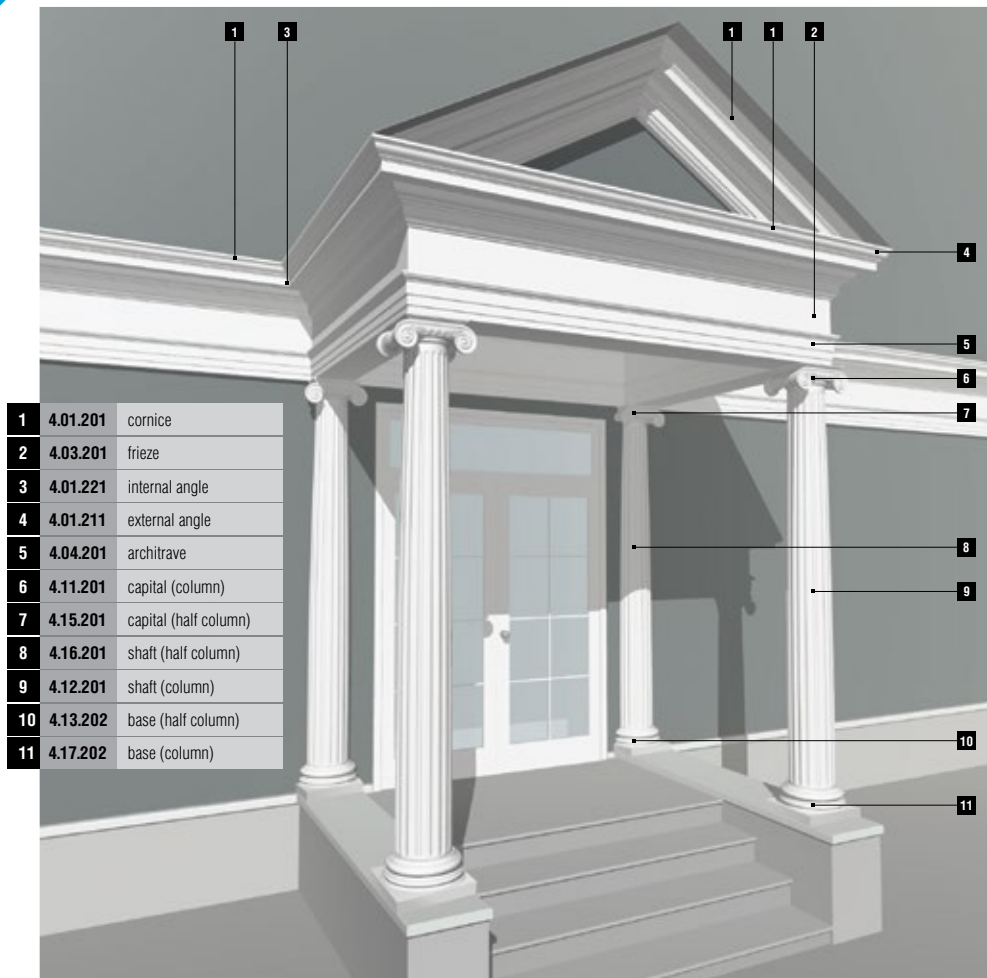
main entrances

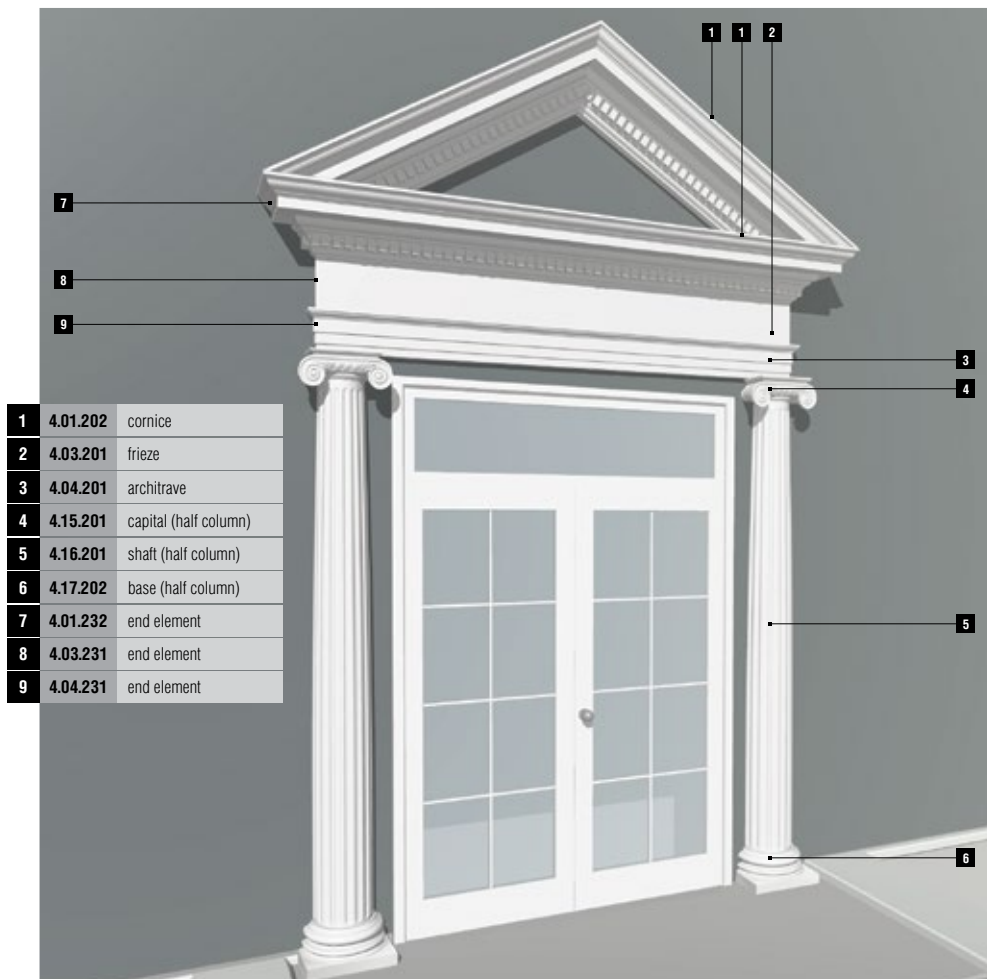


1	4.01.202	cornice
2	4.03.201	frieze
3	4.04.201	architrave
4	4.15.201	capital (half column)
5	4.16.201	shaft (half column)
6	4.01.232	end element
7	4.03.231	end element
8	4.04.231	end element
9	4.13.202	base (half column)

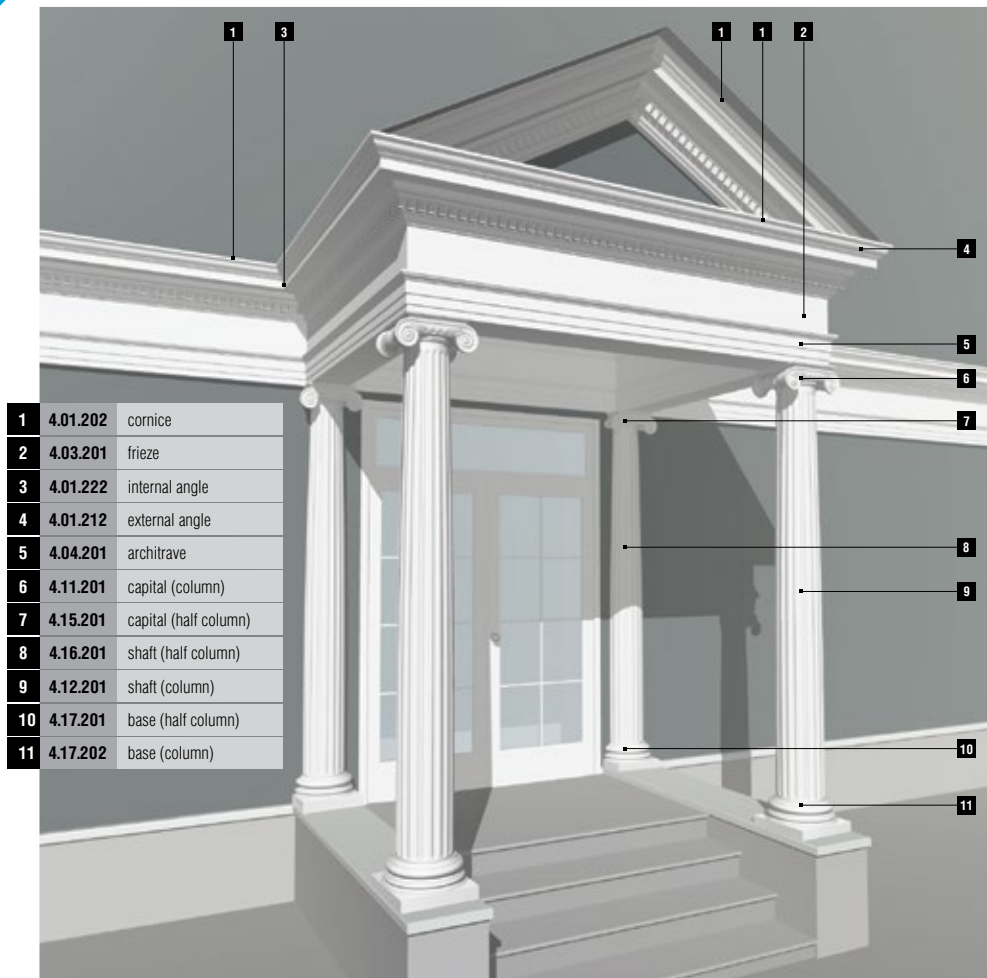


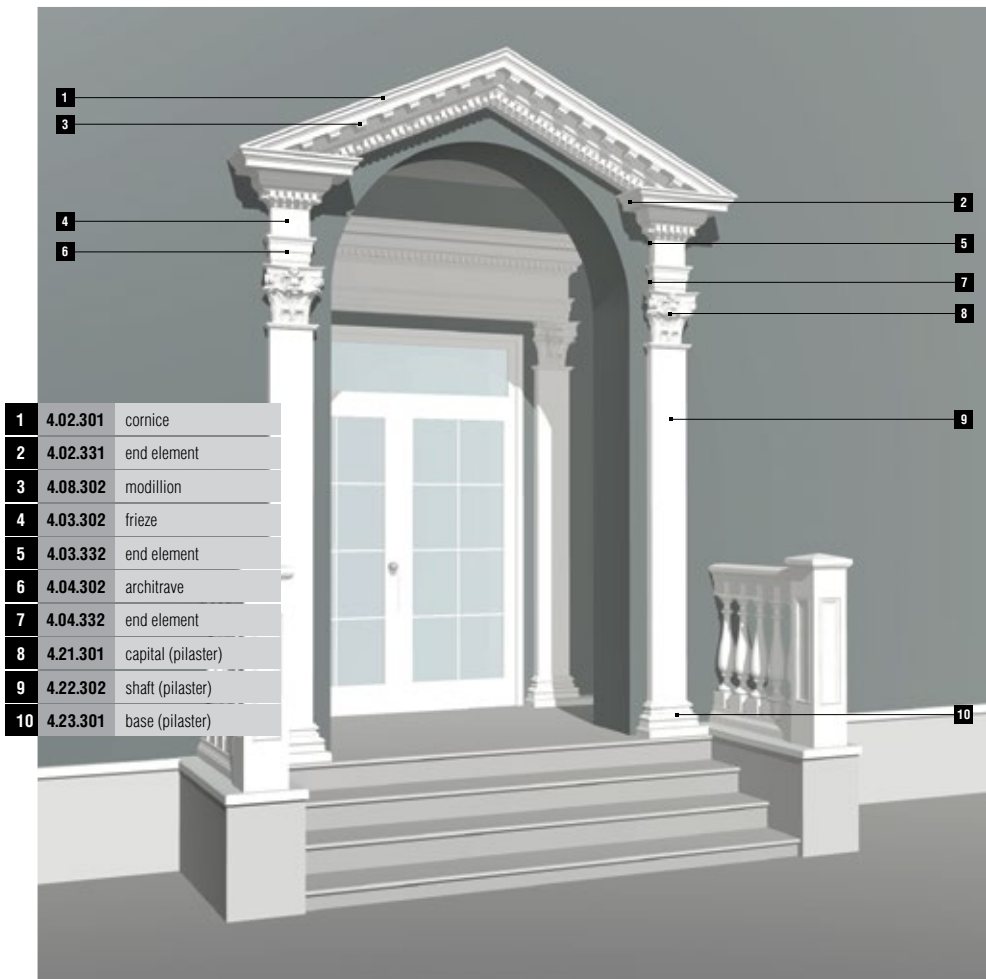
main entrances



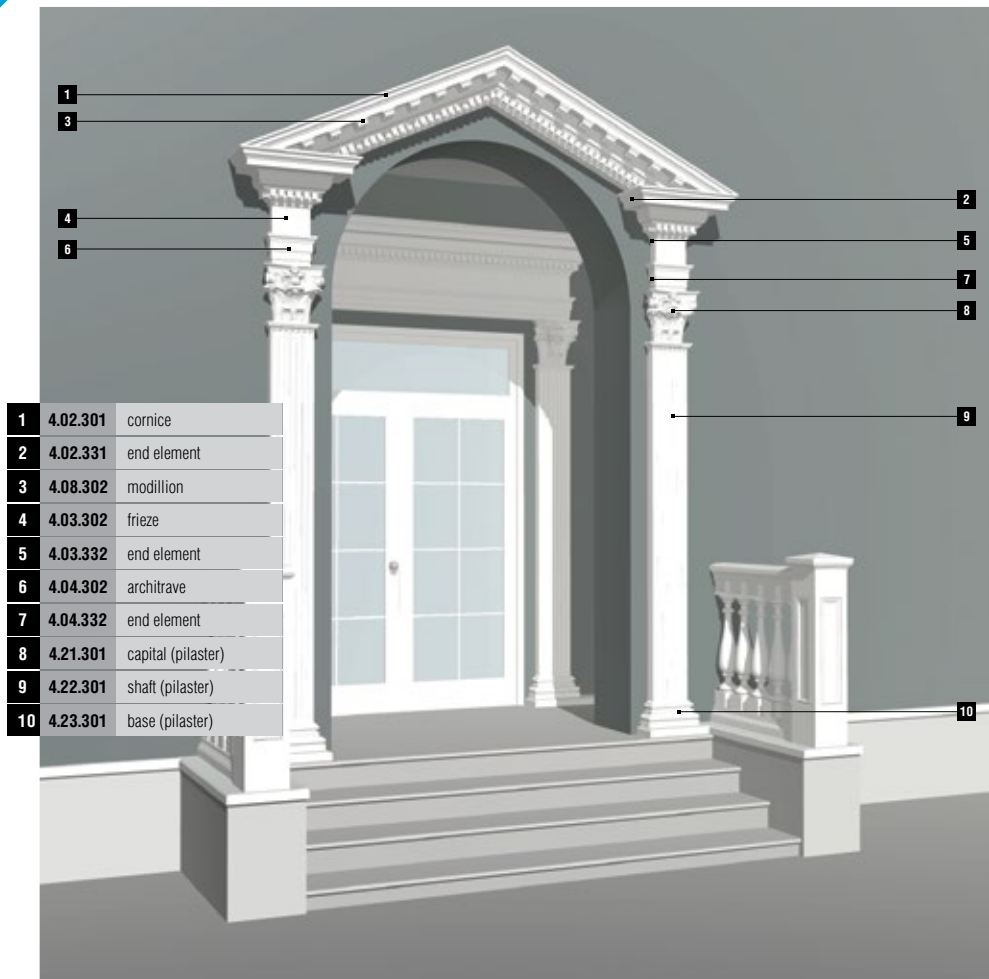


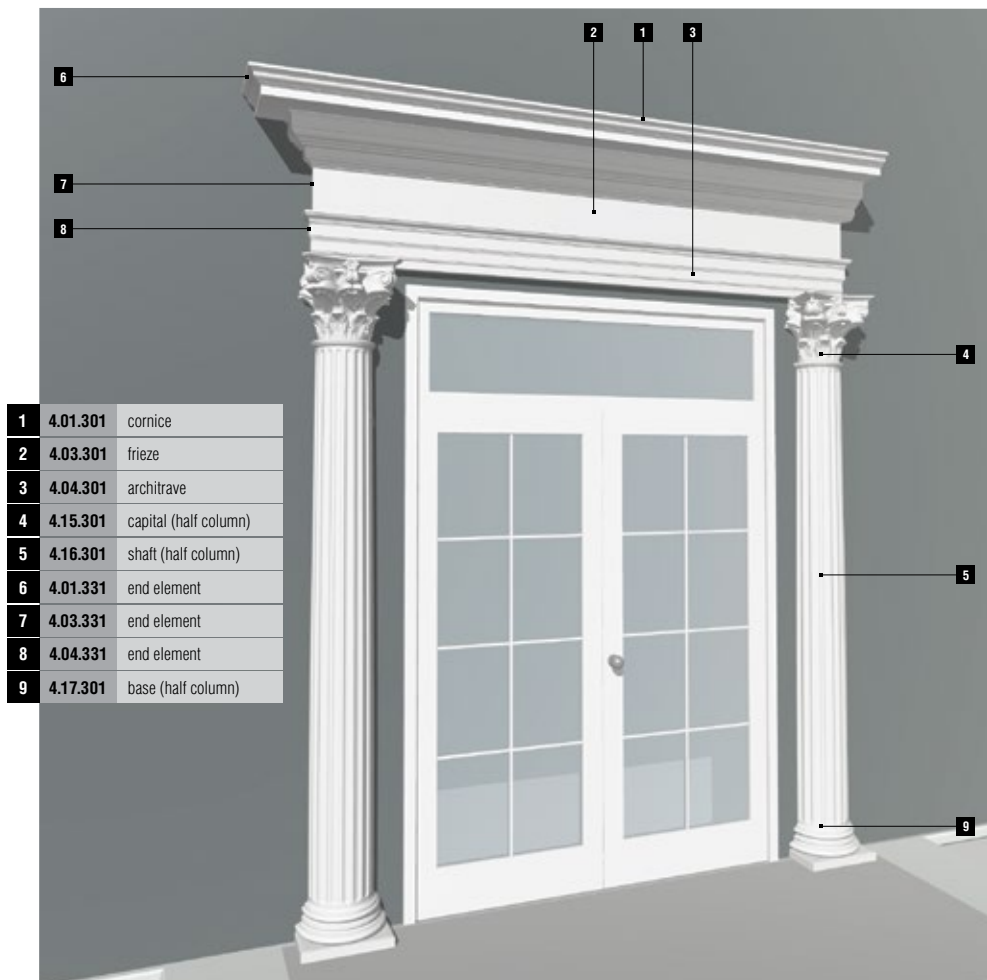
main entrances





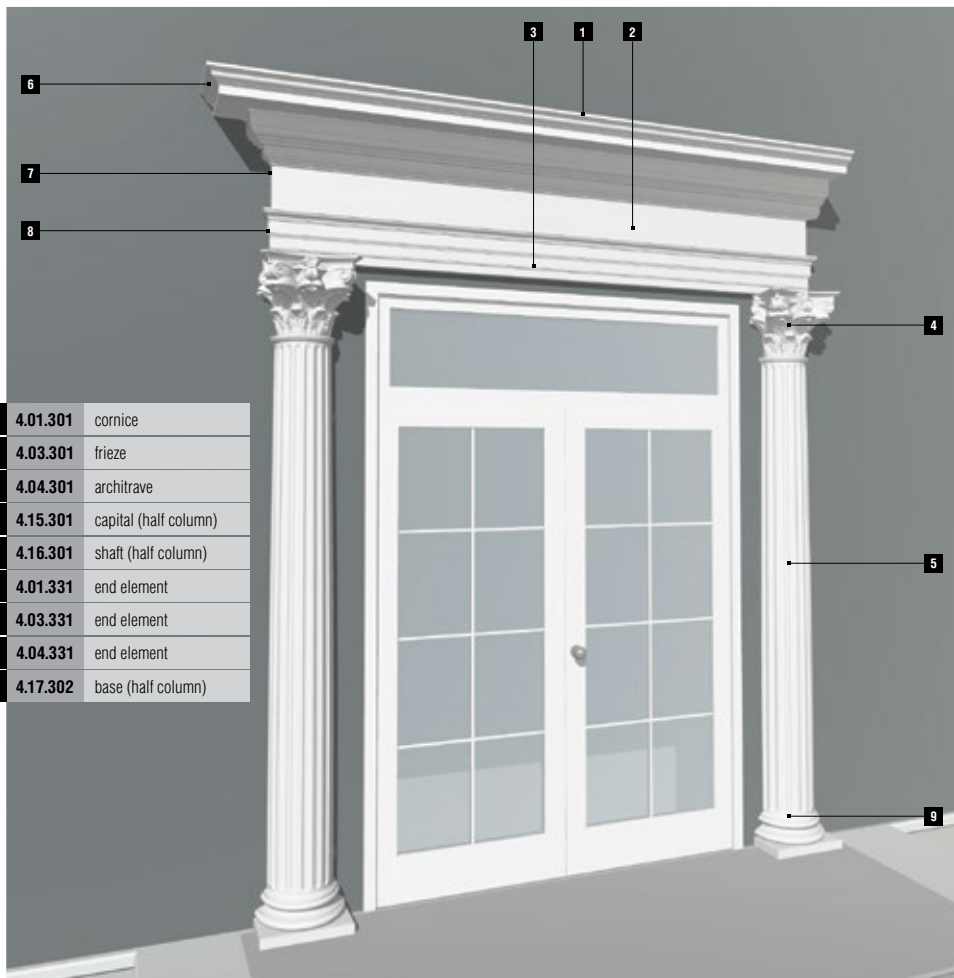
main entrances

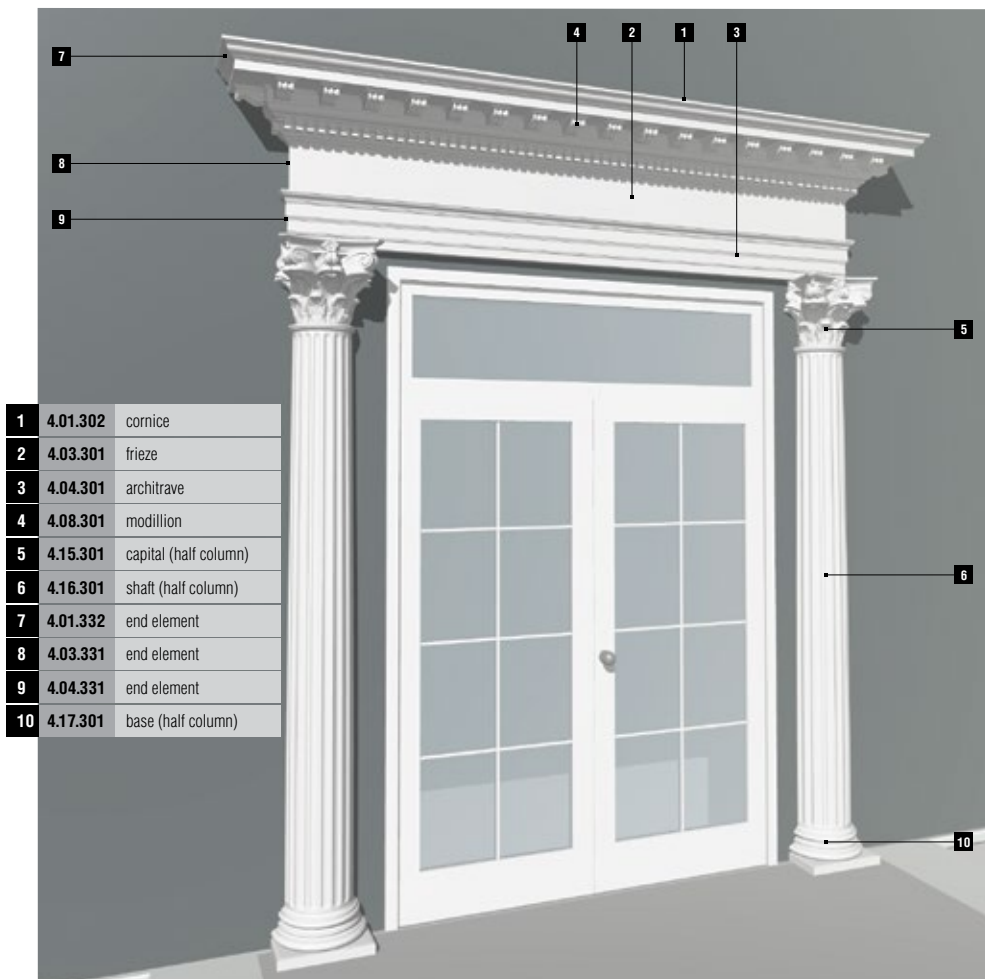




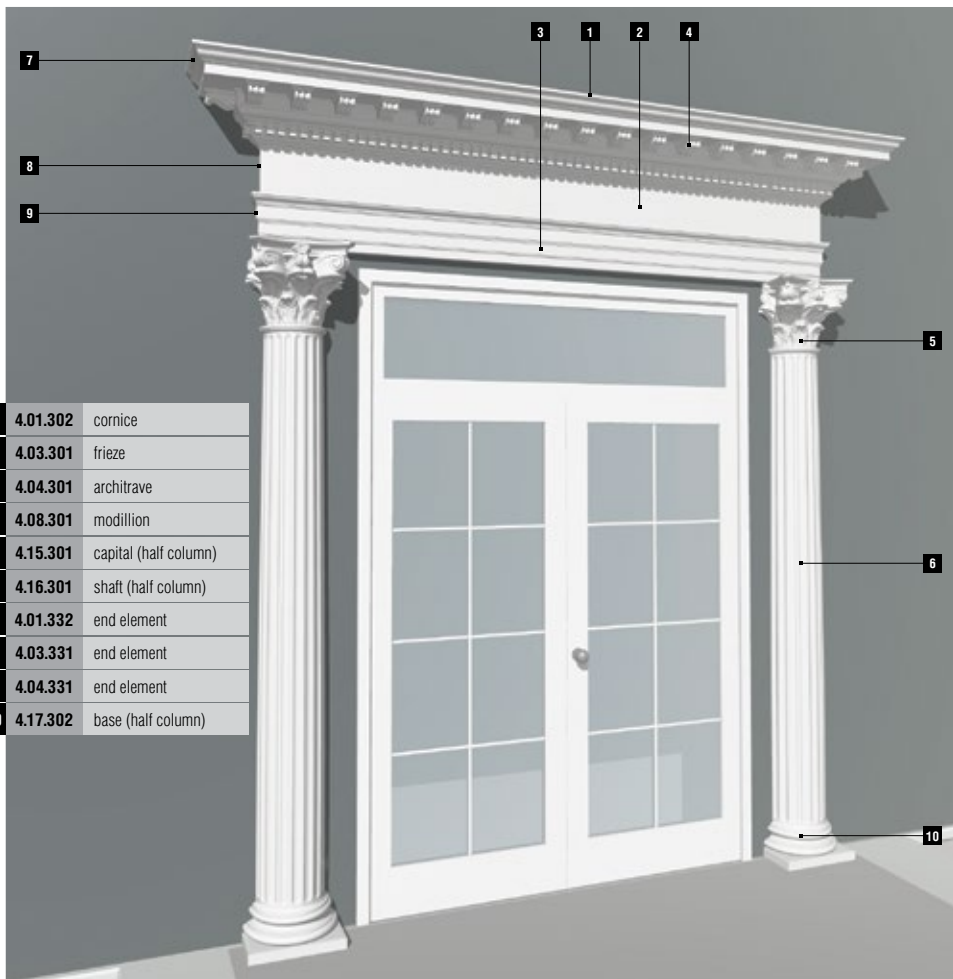
main entrances

1	4.01.301	cornice
2	4.03.301	frieze
3	4.04.301	architrave
4	4.15.301	capital (half column)
5	4.16.301	shaft (half column)
6	4.01.331	end element
7	4.03.331	end element
8	4.04.331	end element
9	4.17.302	base (half column)

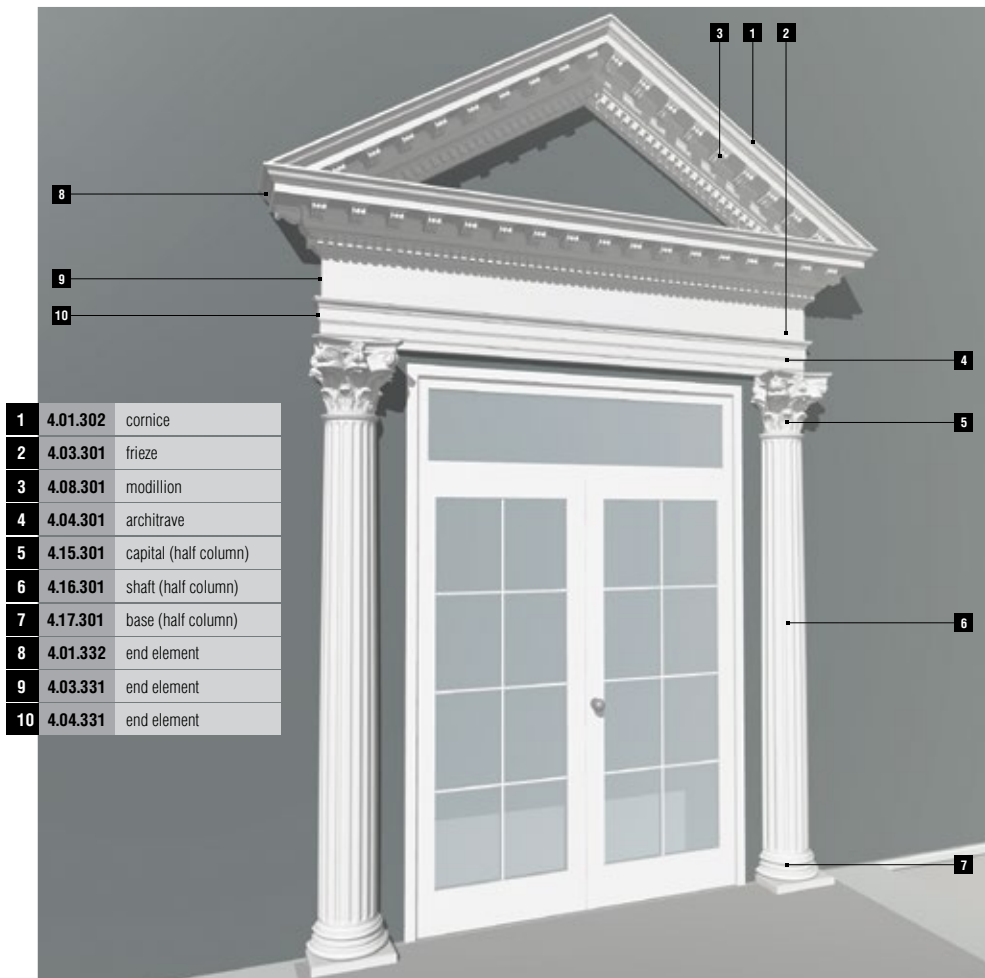




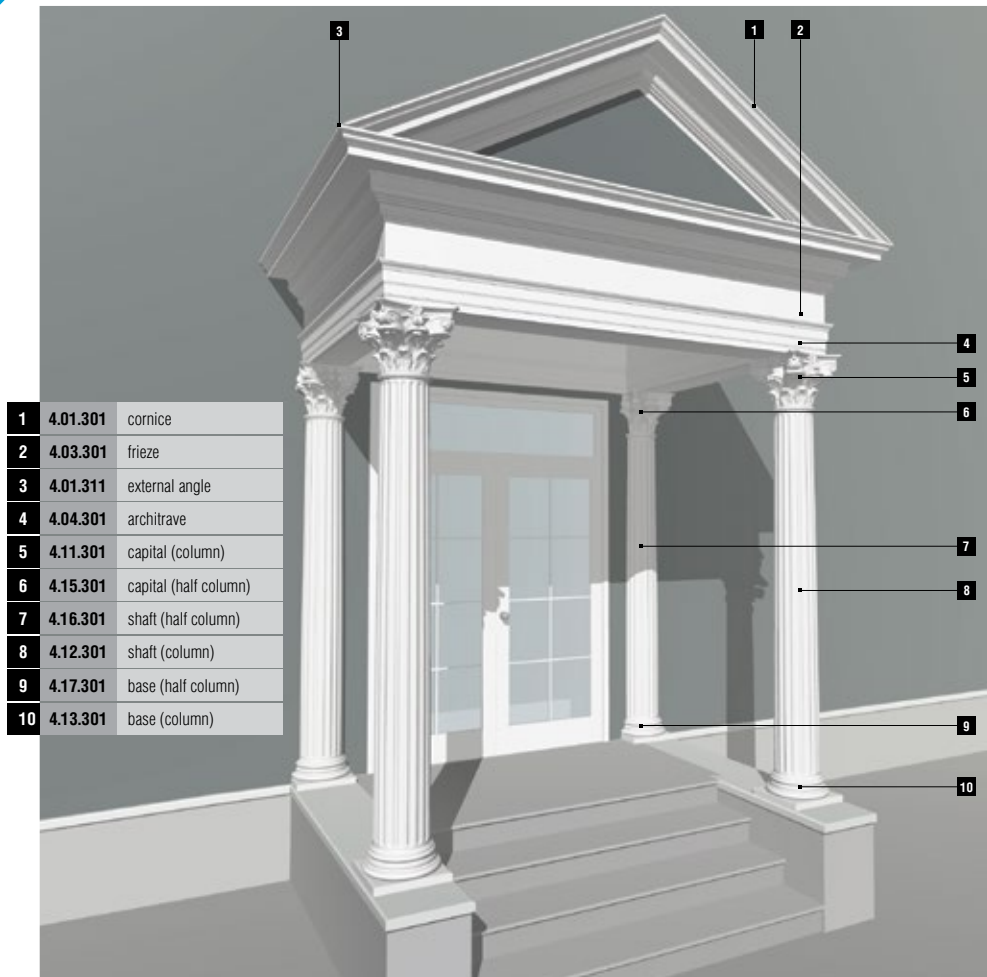
main entrances



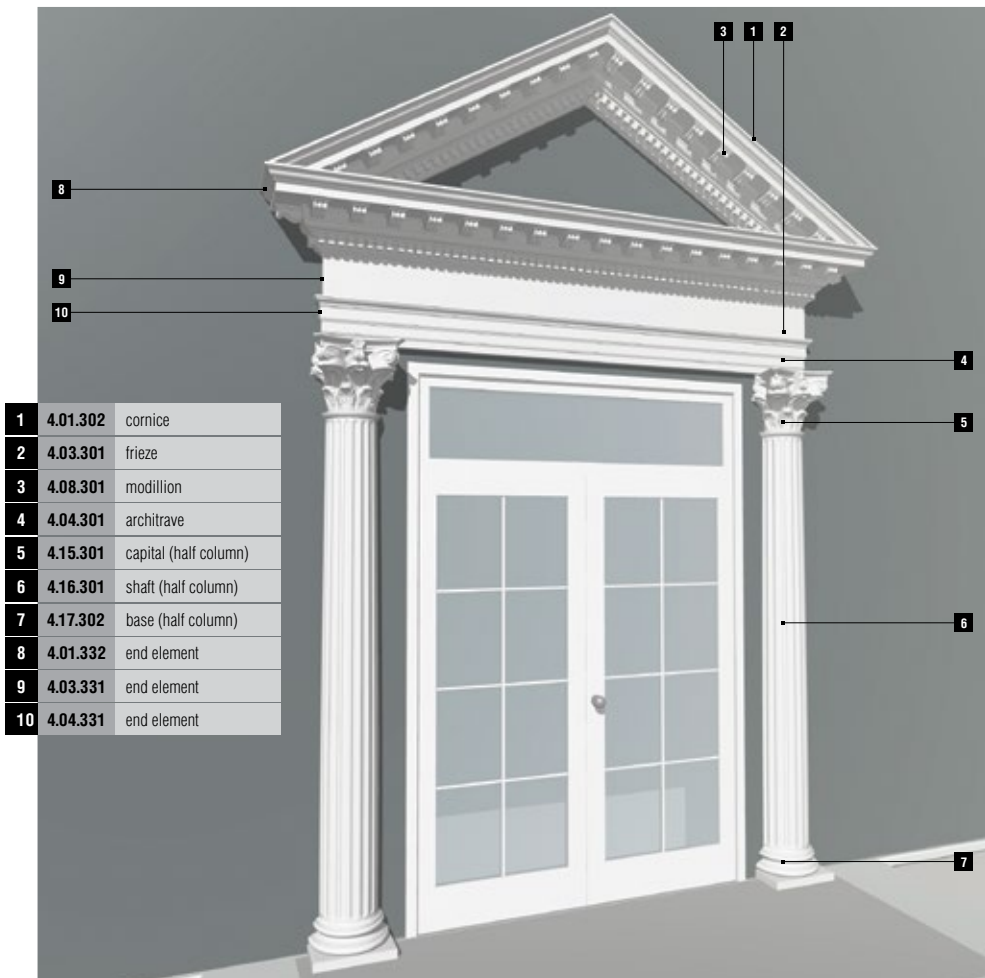
1	4.01.302	cornice
2	4.03.301	frieze
3	4.04.301	architrave
4	4.08.301	modillion
5	4.15.301	capital (half column)
6	4.16.301	shaft (half column)
7	4.01.332	end element
8	4.03.331	end element
9	4.04.331	end element
10	4.17.302	base (half column)



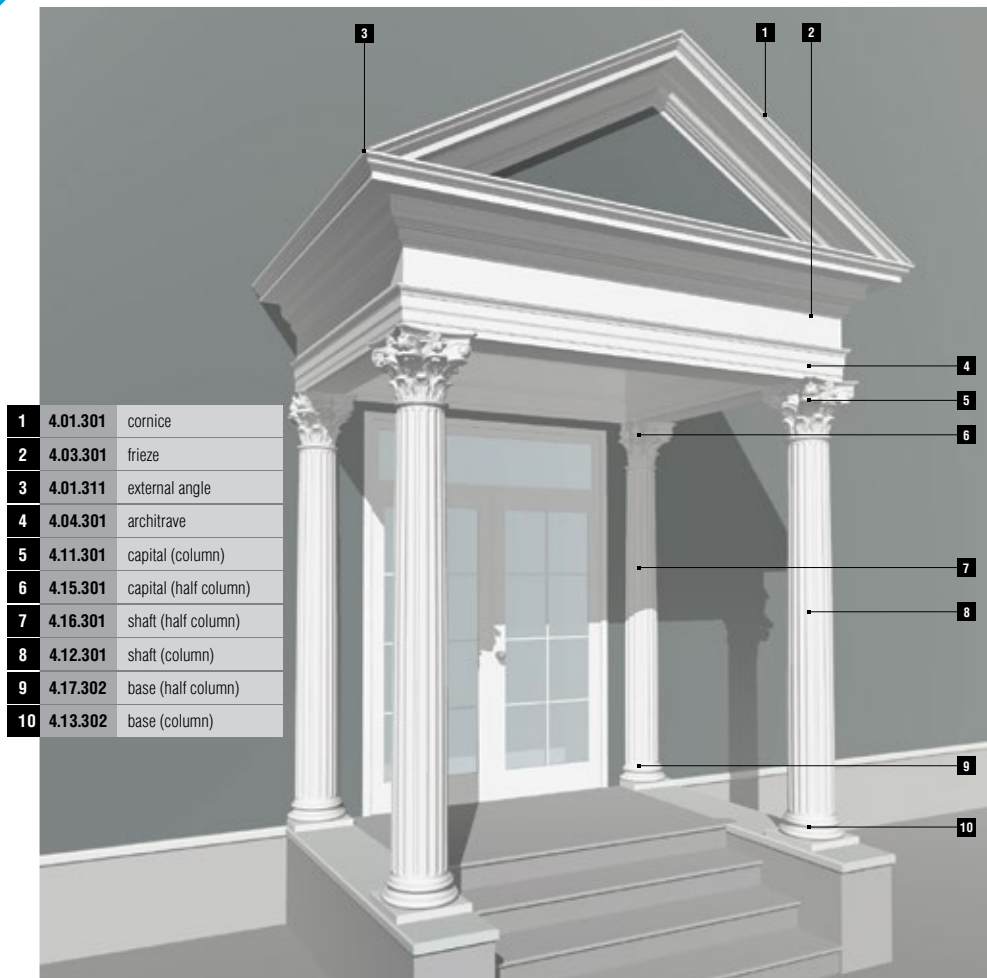
main entrances



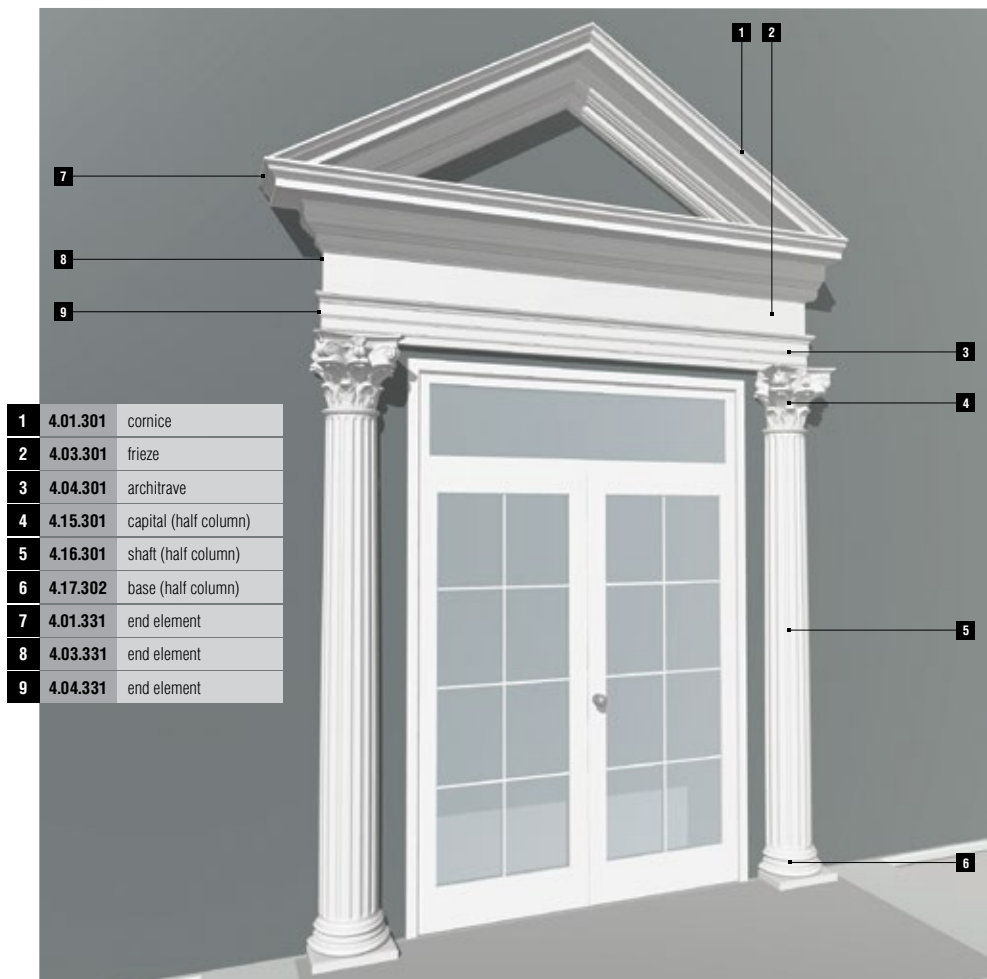
1	4.01.301	cornice
2	4.03.301	frieze
3	4.01.311	external angle
4	4.04.301	architrave
5	4.11.301	capital (column)
6	4.15.301	capital (half column)
7	4.16.301	shaft (half column)
8	4.12.301	shaft (column)
9	4.17.301	base (half column)
10	4.13.301	base (column)



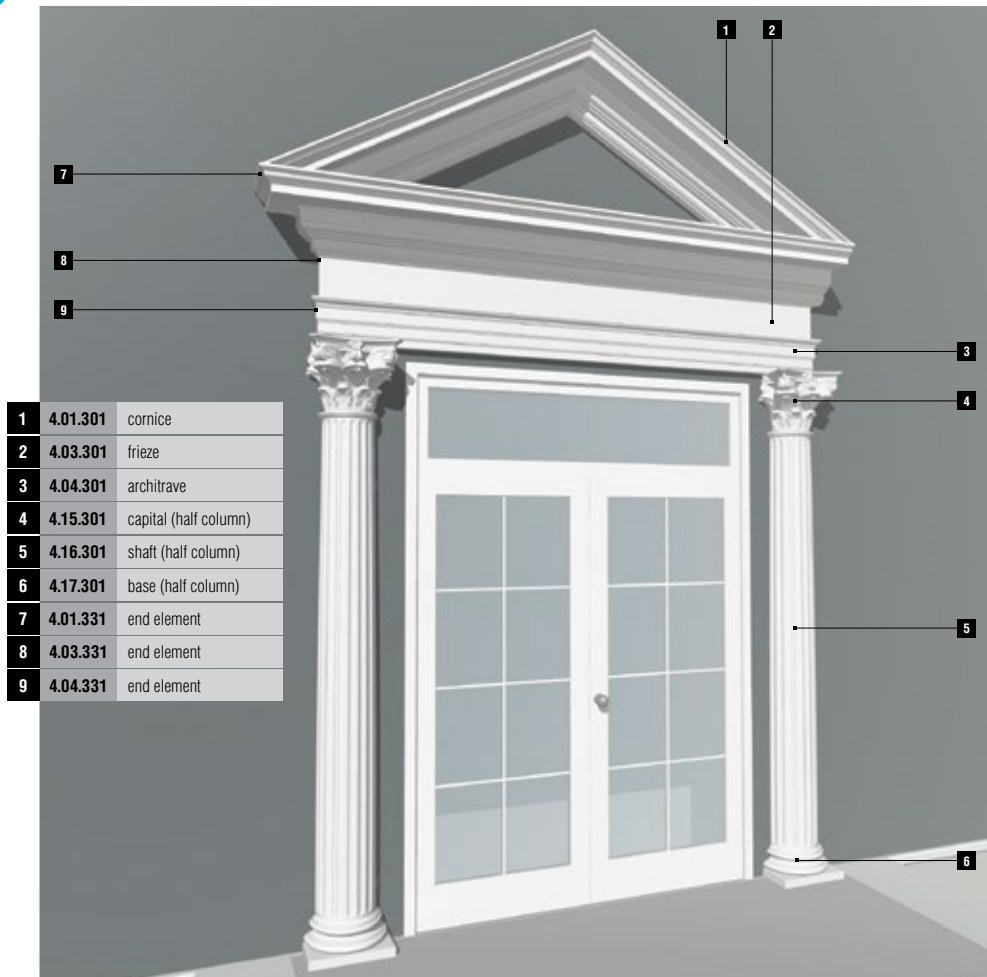
main entrances

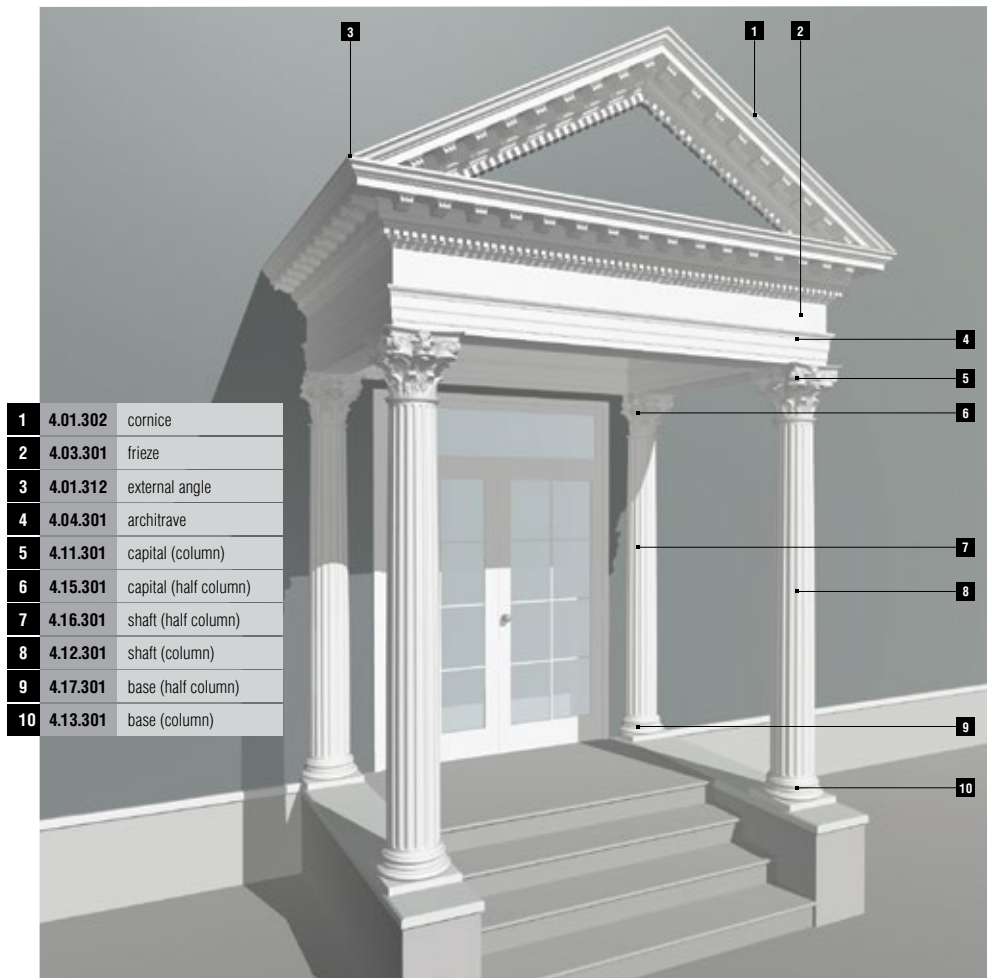


1	4.01.301	cornice
2	4.03.301	frieze
3	4.01.311	external angle
4	4.04.301	architrave
5	4.11.301	capital (column)
6	4.15.301	capital (half column)
7	4.16.301	shaft (half column)
8	4.12.301	shaft (column)
9	4.17.302	base (half column)
10	4.13.302	base (column)

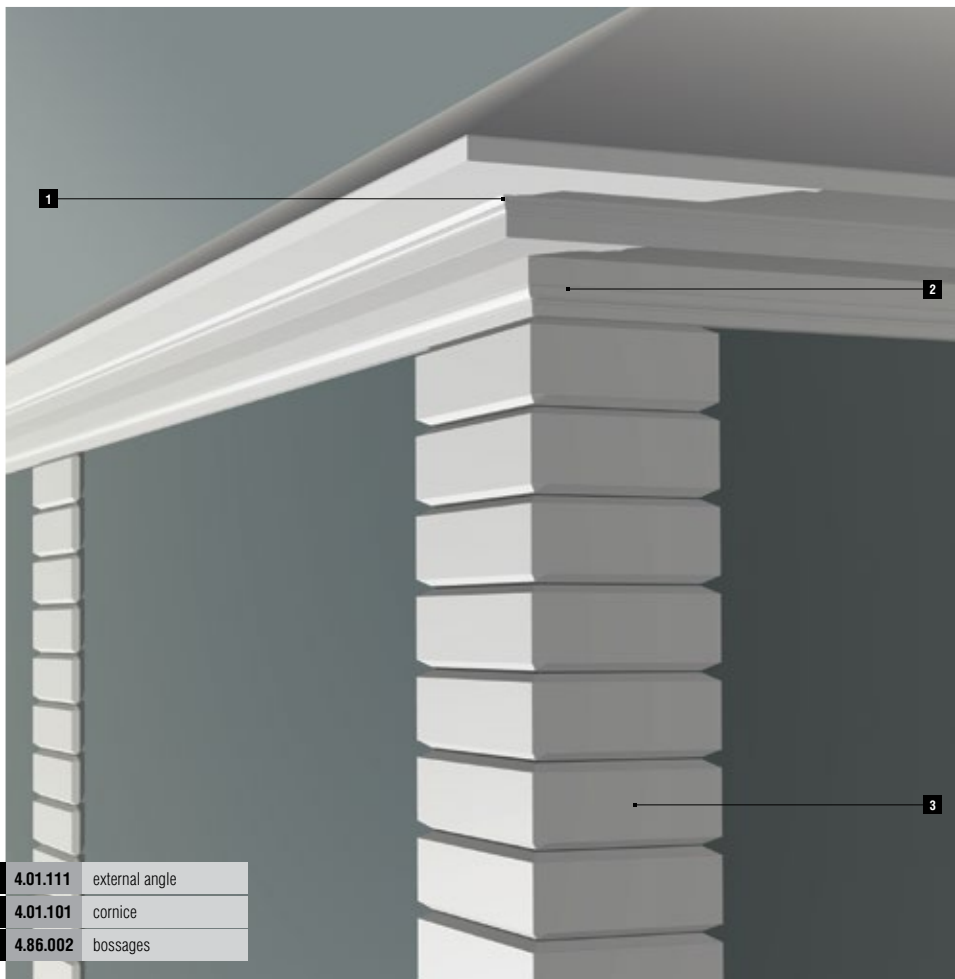


main entrances





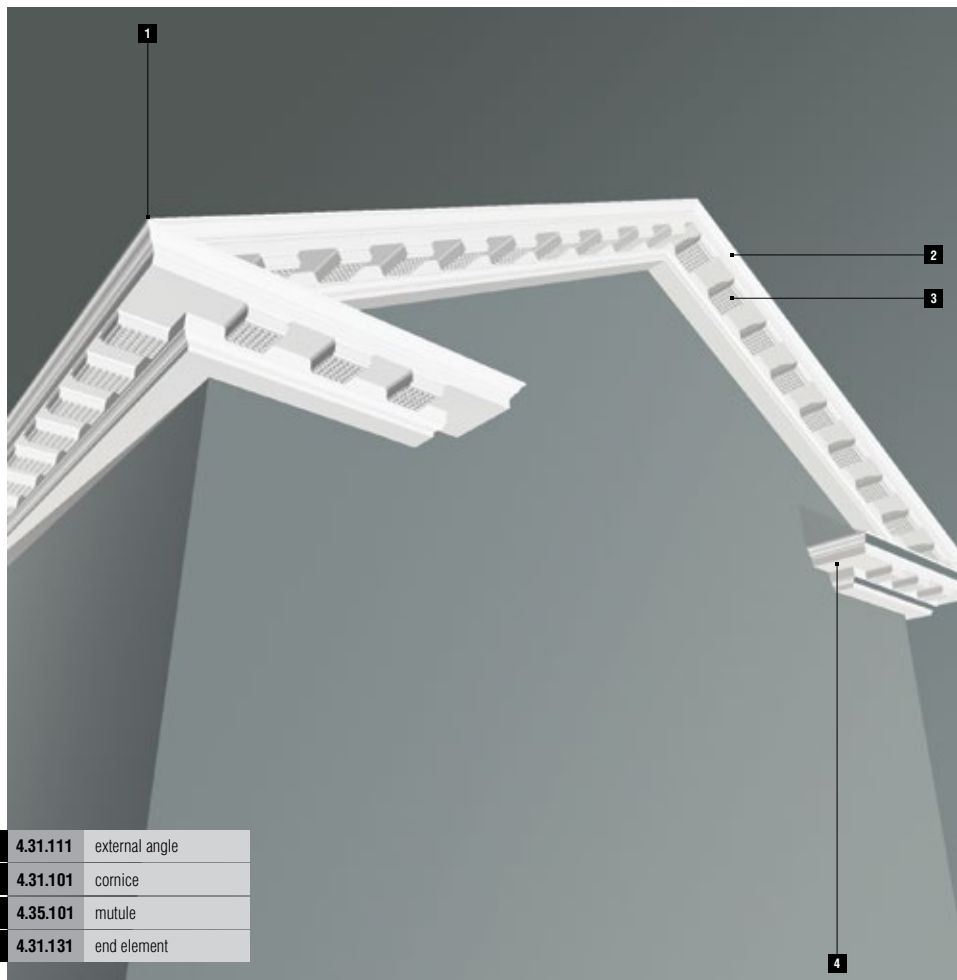
main cornices



1 4.01.111 external angle

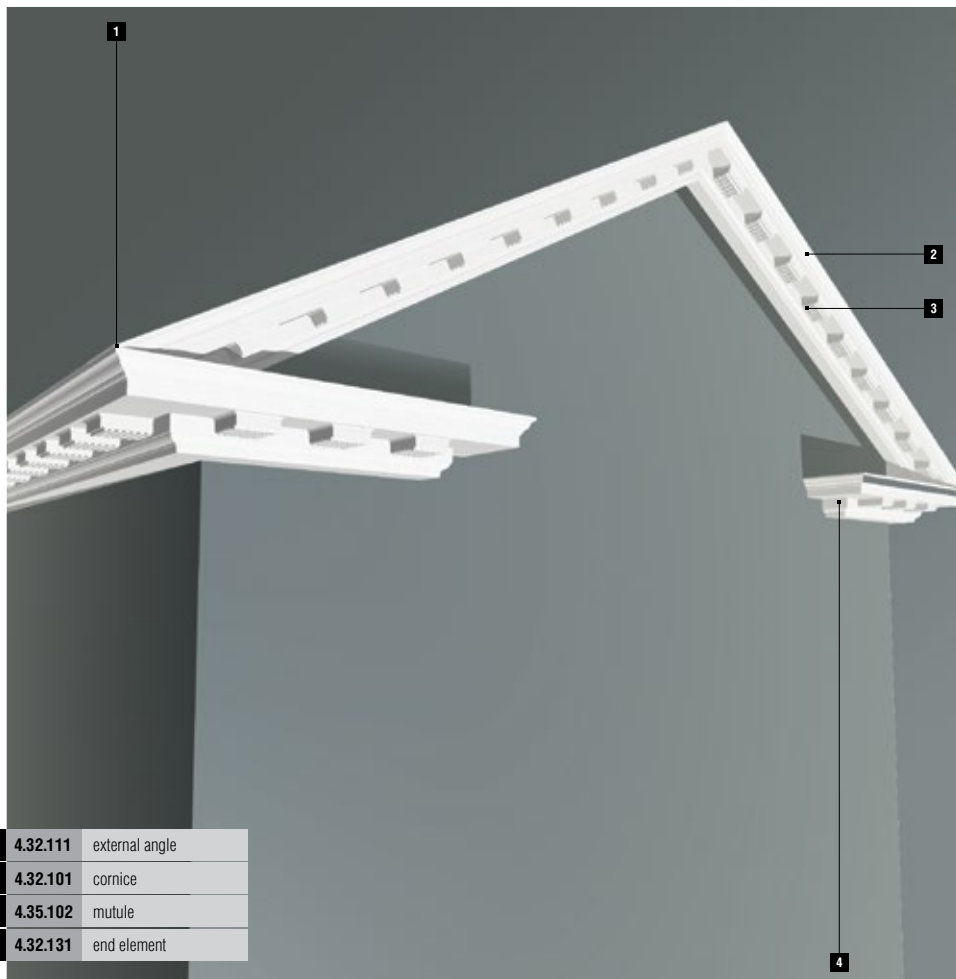
2 4.01.101 cornice

3 4.86.002 bossages



1	4.31.111	external angle
2	4.31.101	cornice
3	4.35.101	mutule
4	4.31.131	end element

main cornices



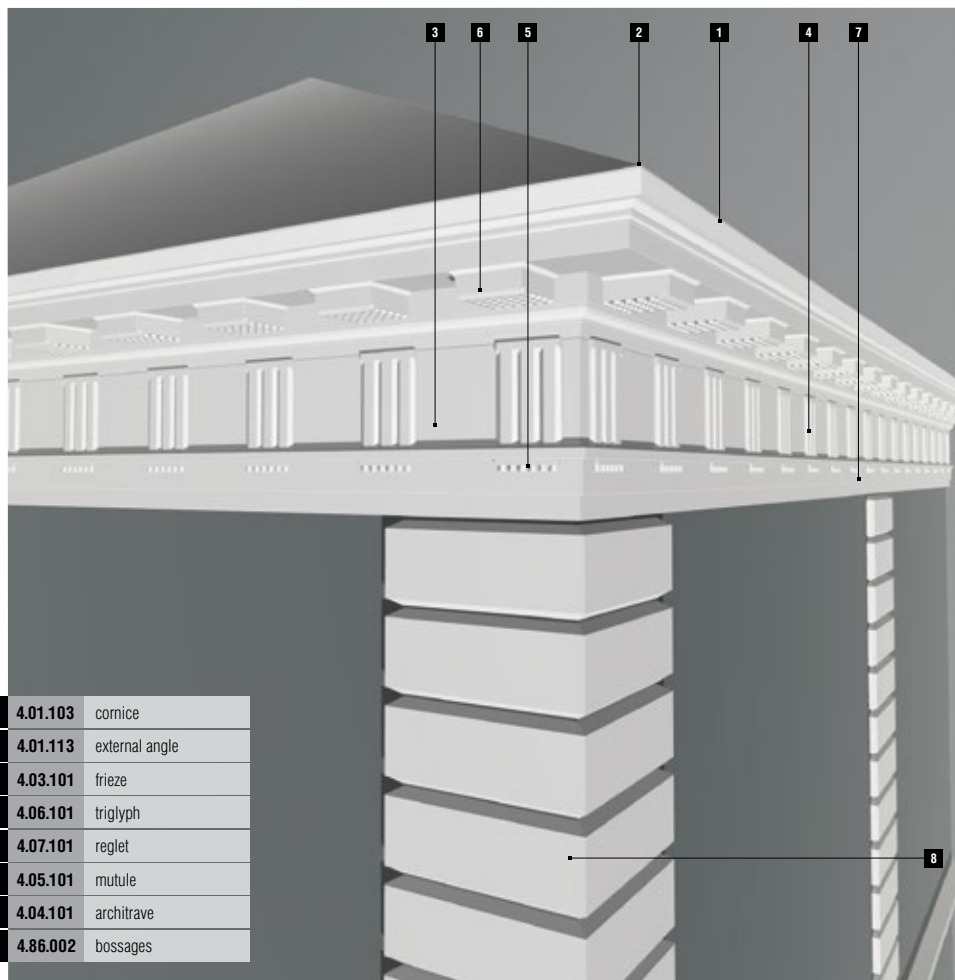
1 4.32.111 external angle

2 4.32.101 cornice

3 4.35.102 mutule

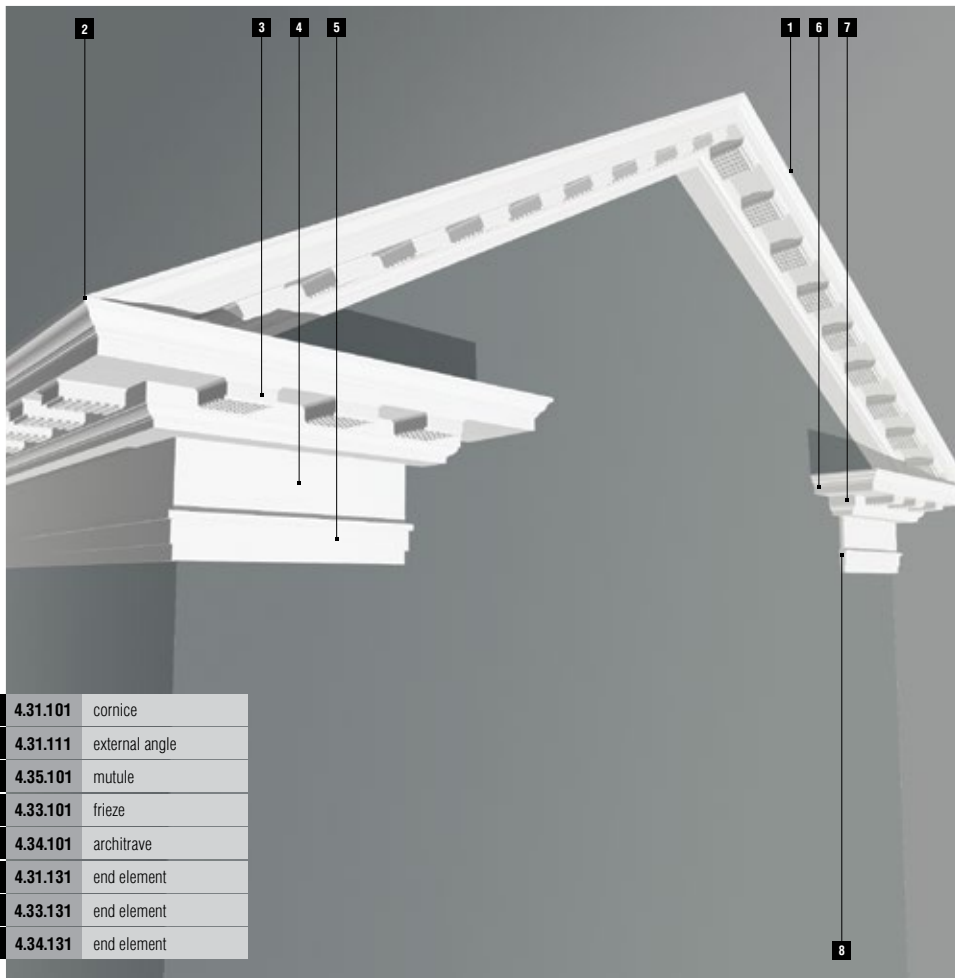
4 4.32.131 end element

4

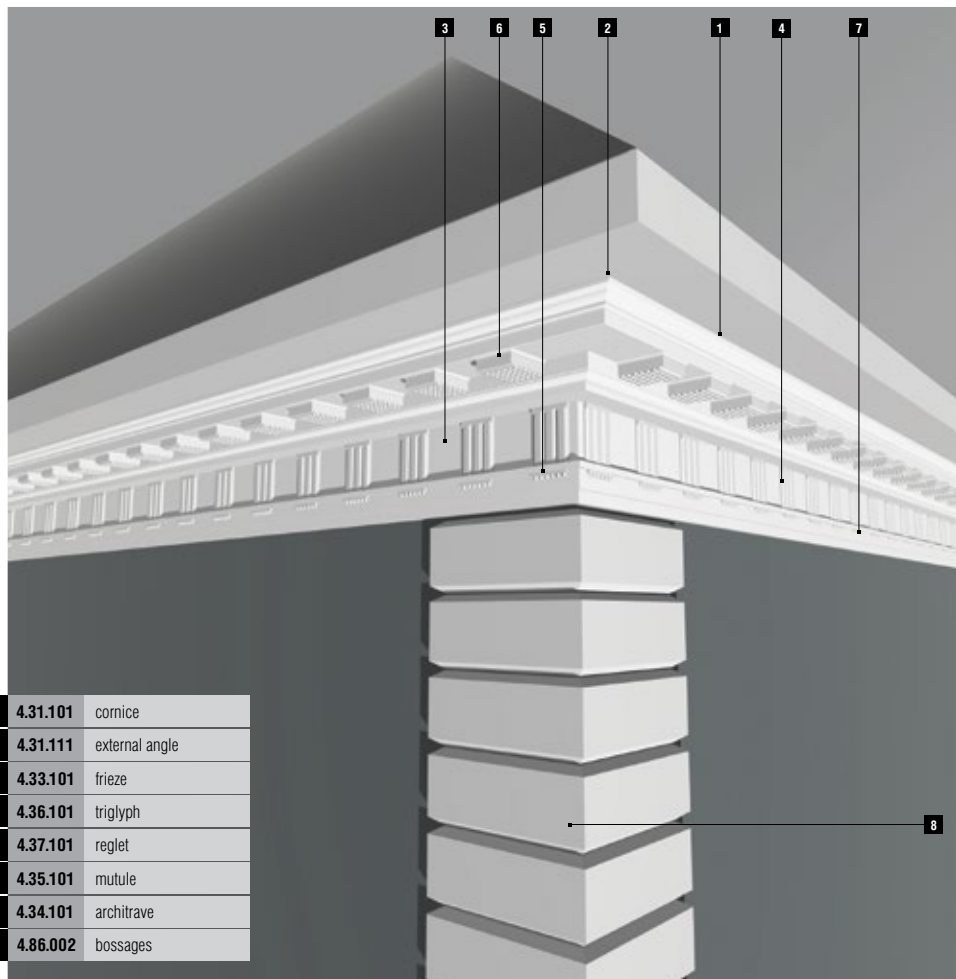


1	4.01.103	cornice
2	4.01.113	external angle
3	4.03.101	frieze
4	4.06.101	triglyph
5	4.07.101	reglet
6	4.05.101	mutule
7	4.04.101	architrave
8	4.86.002	bossages

main cornices

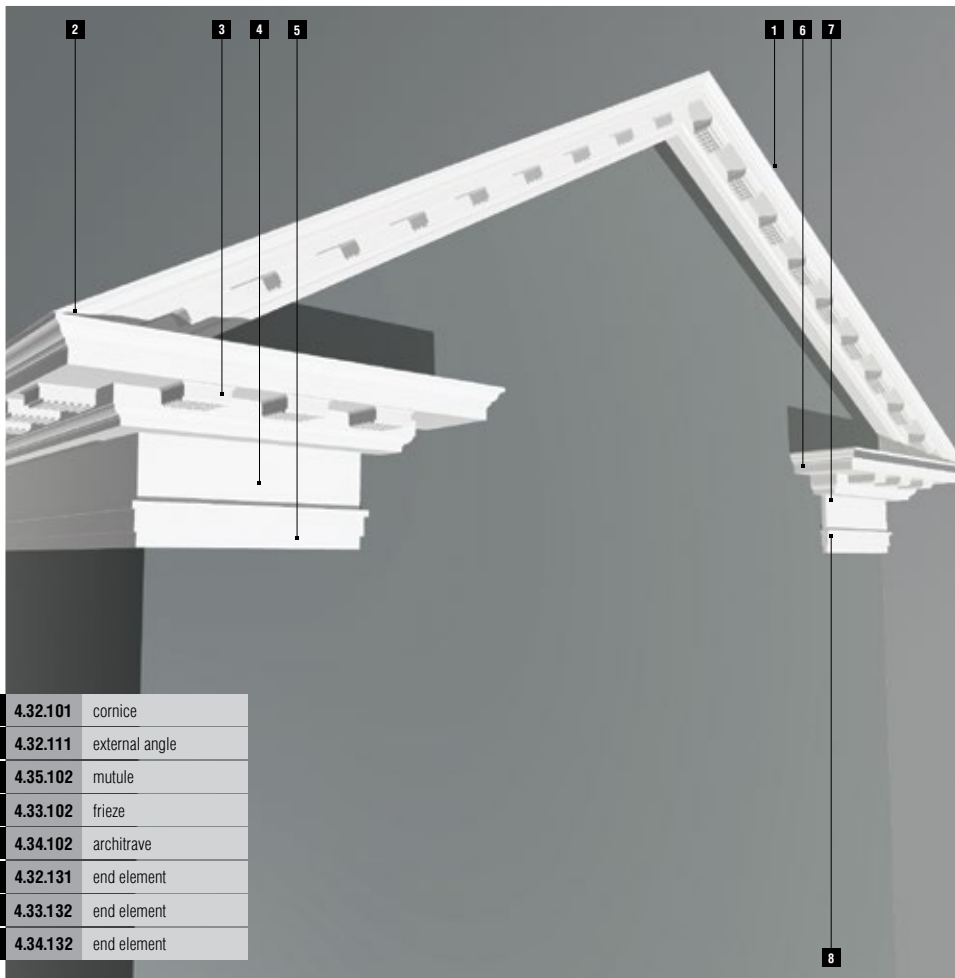


1	4.31.101	cornice
2	4.31.111	external angle
3	4.35.101	mutule
4	4.33.101	frieze
5	4.34.101	architrave
6	4.31.131	end element
7	4.33.131	end element
8	4.34.131	end element

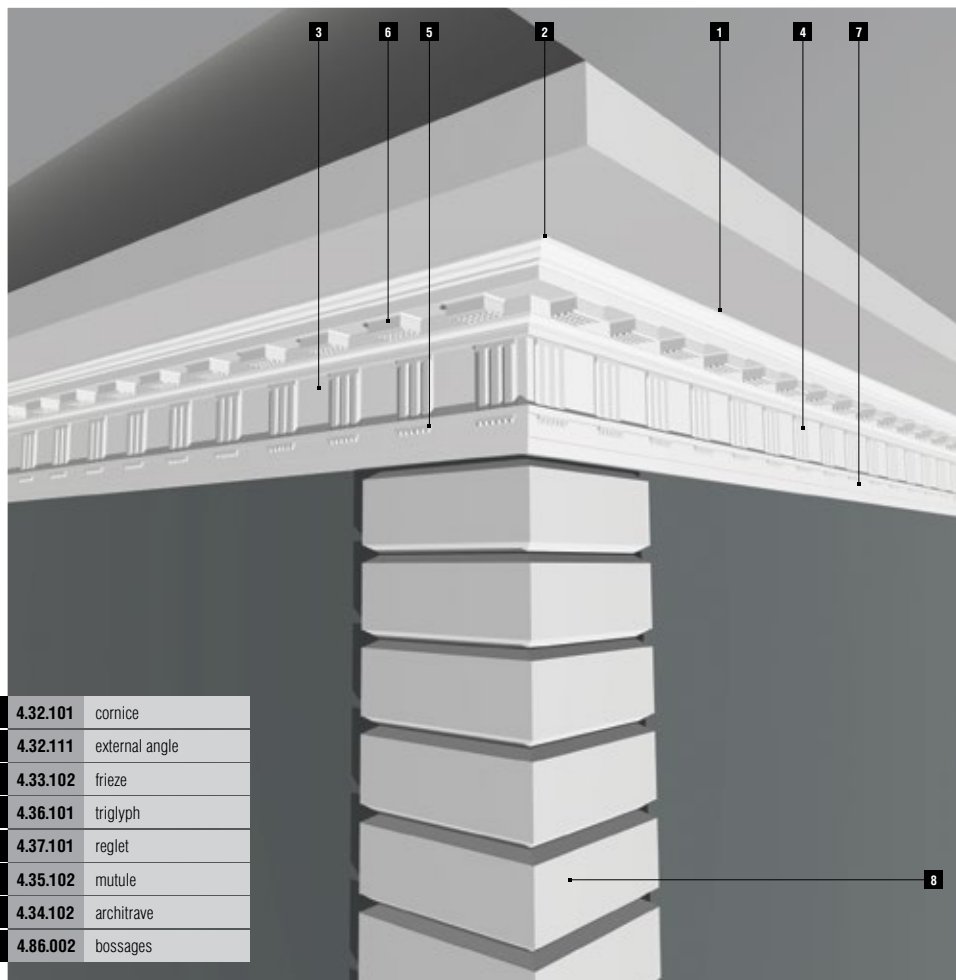


1	4.31.101	cornice
2	4.31.111	external angle
3	4.33.101	frieze
4	4.36.101	triglyph
5	4.37.101	reglet
6	4.35.101	mutule
7	4.34.101	architrave
8	4.86.002	bossages

main cornices

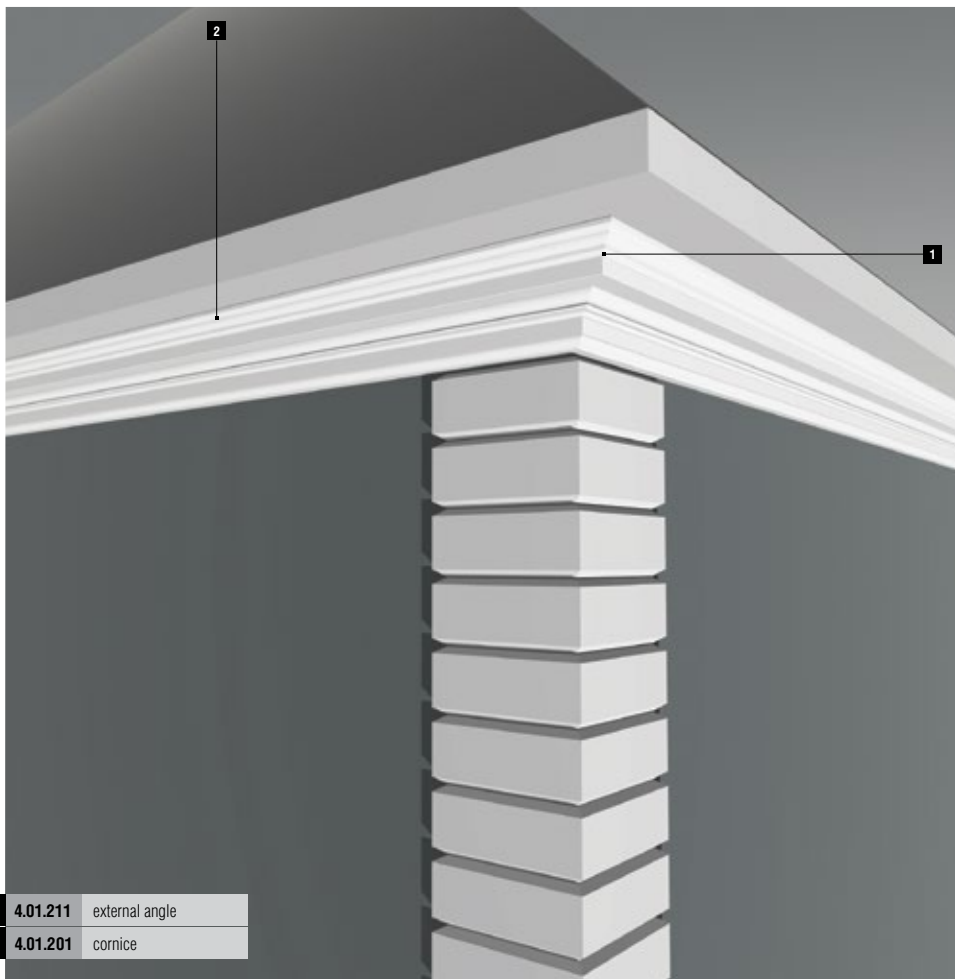


1	4.32.101	cornice
2	4.32.111	external angle
3	4.35.102	mutule
4	4.33.102	frieze
5	4.34.102	architrave
6	4.32.131	end element
7	4.33.132	end element
8	4.34.132	end element



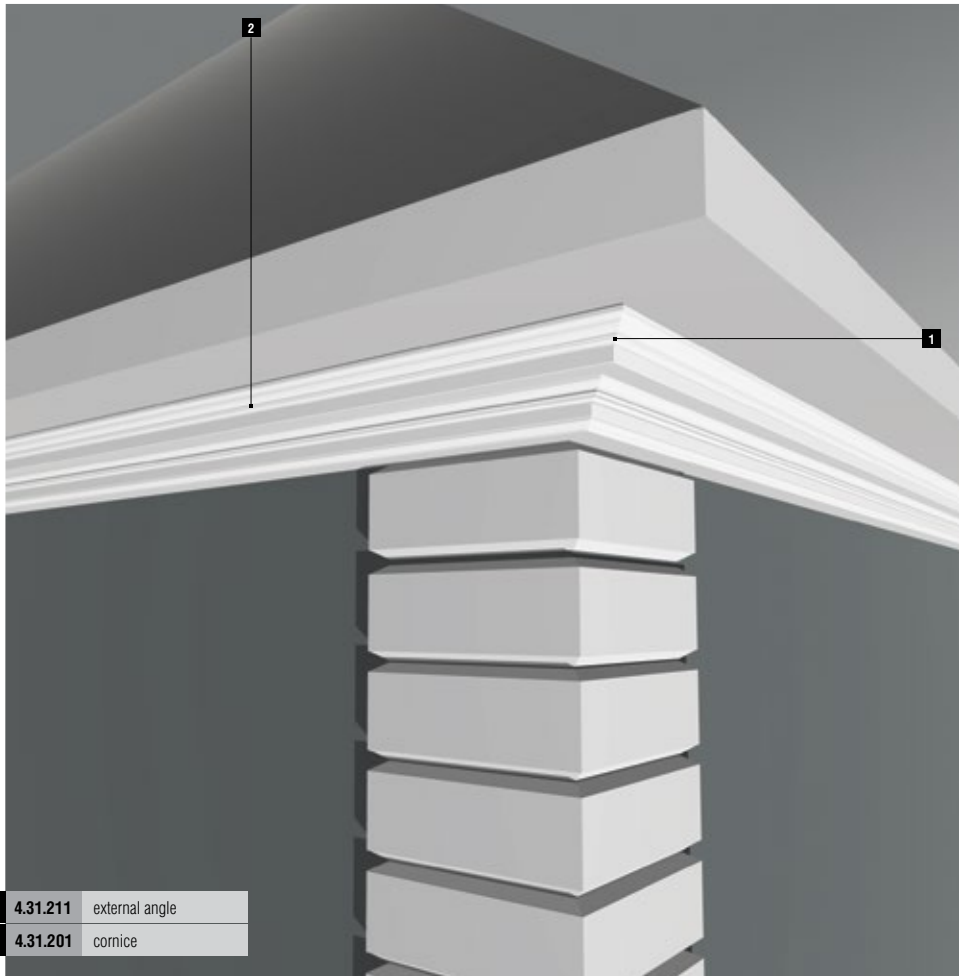
1	4.32.101	cornice
2	4.32.111	external angle
3	4.33.102	frieze
4	4.36.101	triglyph
5	4.37.101	reglet
6	4.35.102	mutule
7	4.34.102	architrave
8	4.86.002	bossages

main cornices



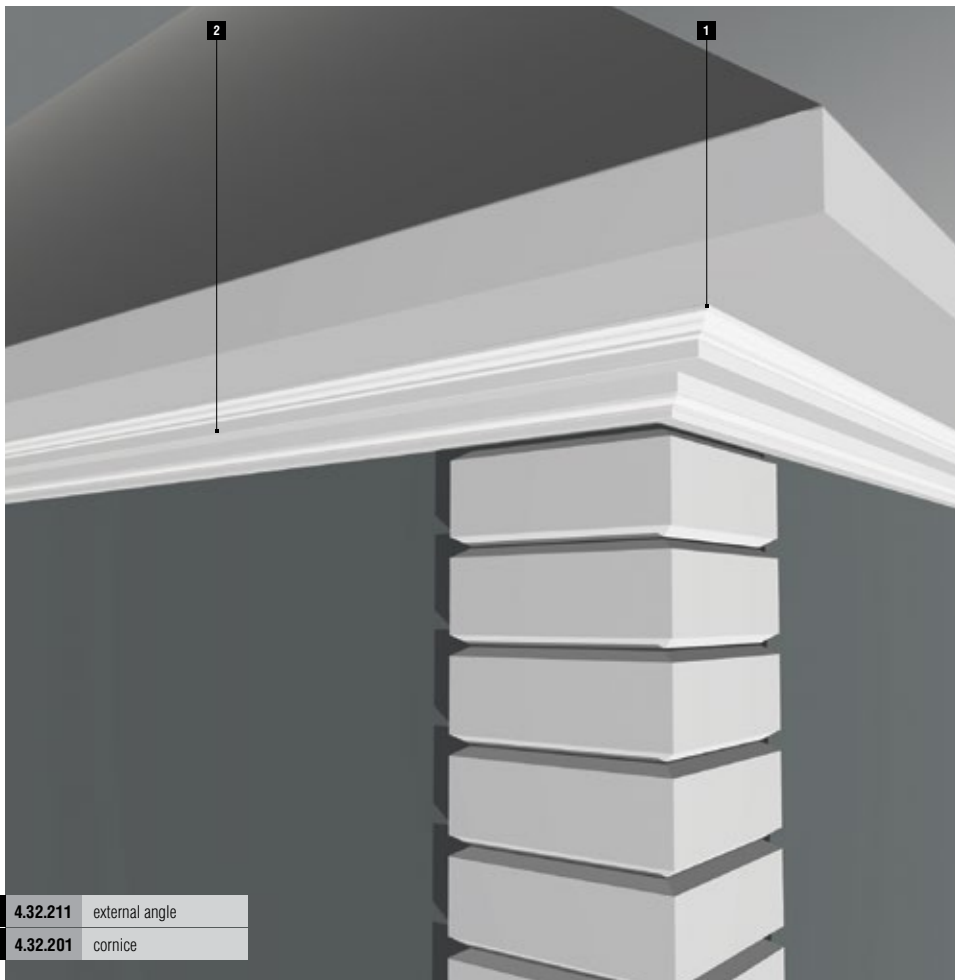
1 4.01.211 external angle

2 4.01.201 cornice



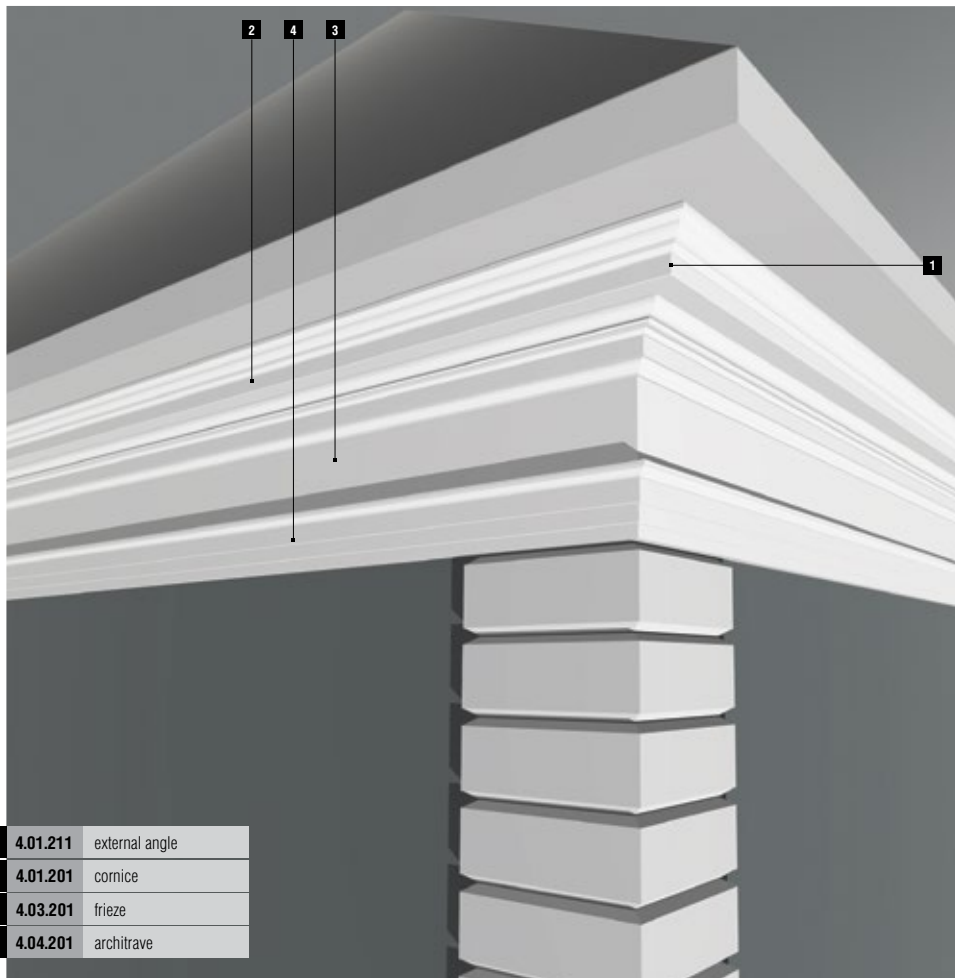
1	4.31.211	external angle
2	4.31.201	cornice

main cornices



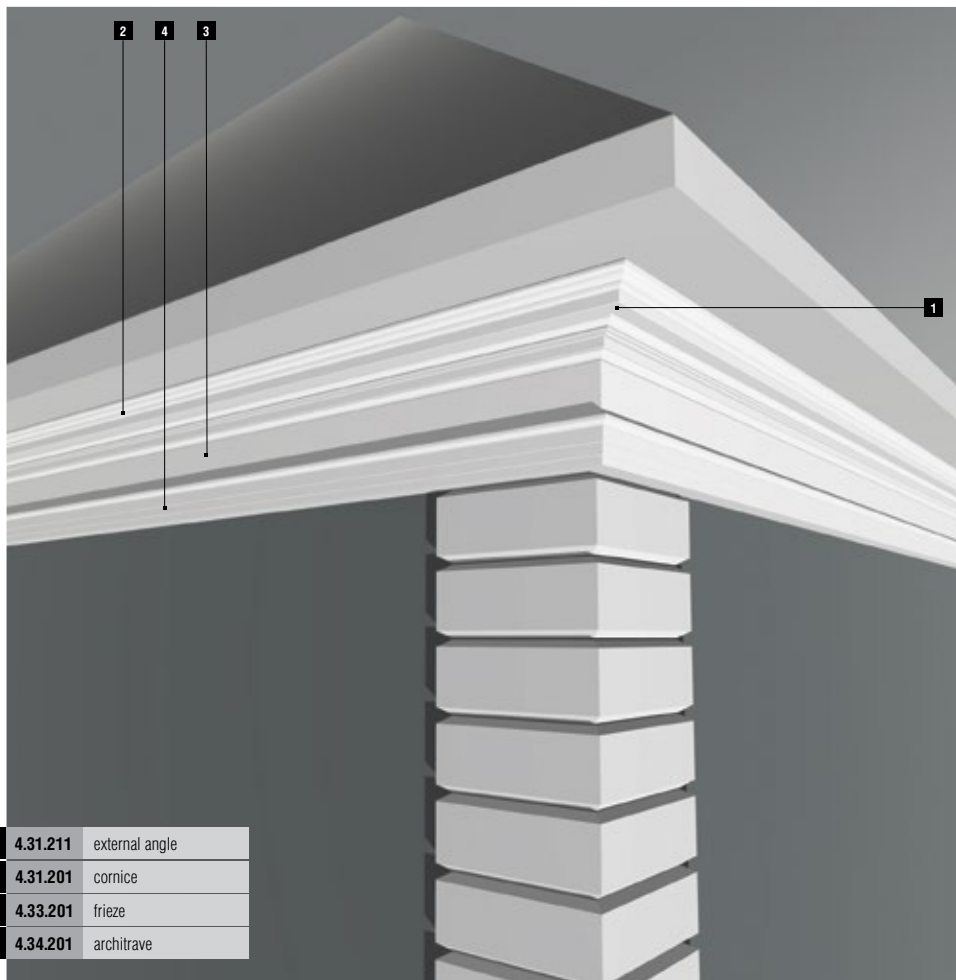
1 4.32.211 external angle

2 4.32.201 cornice



1	4.01.211	external angle
2	4.01.201	cornice
3	4.03.201	frieze
4	4.04.201	architrave

main cornices

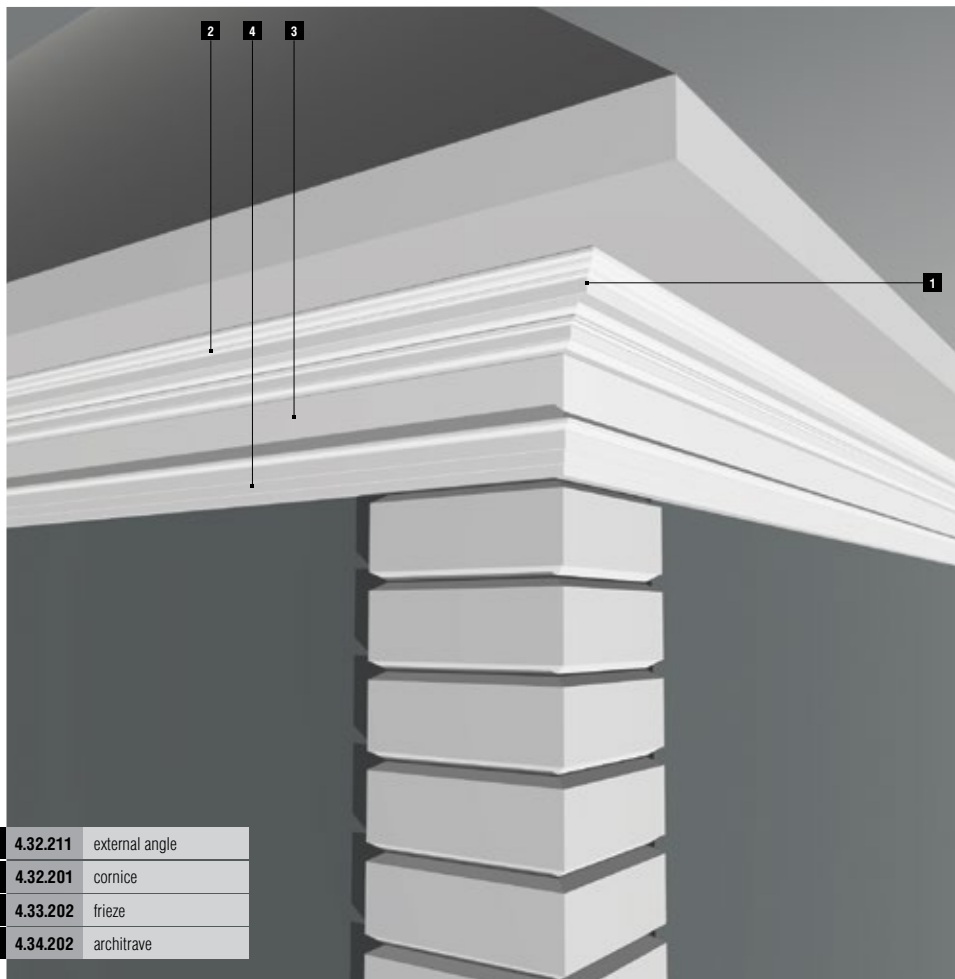


1 4.31.211 external angle

2 4.31.201 cornice

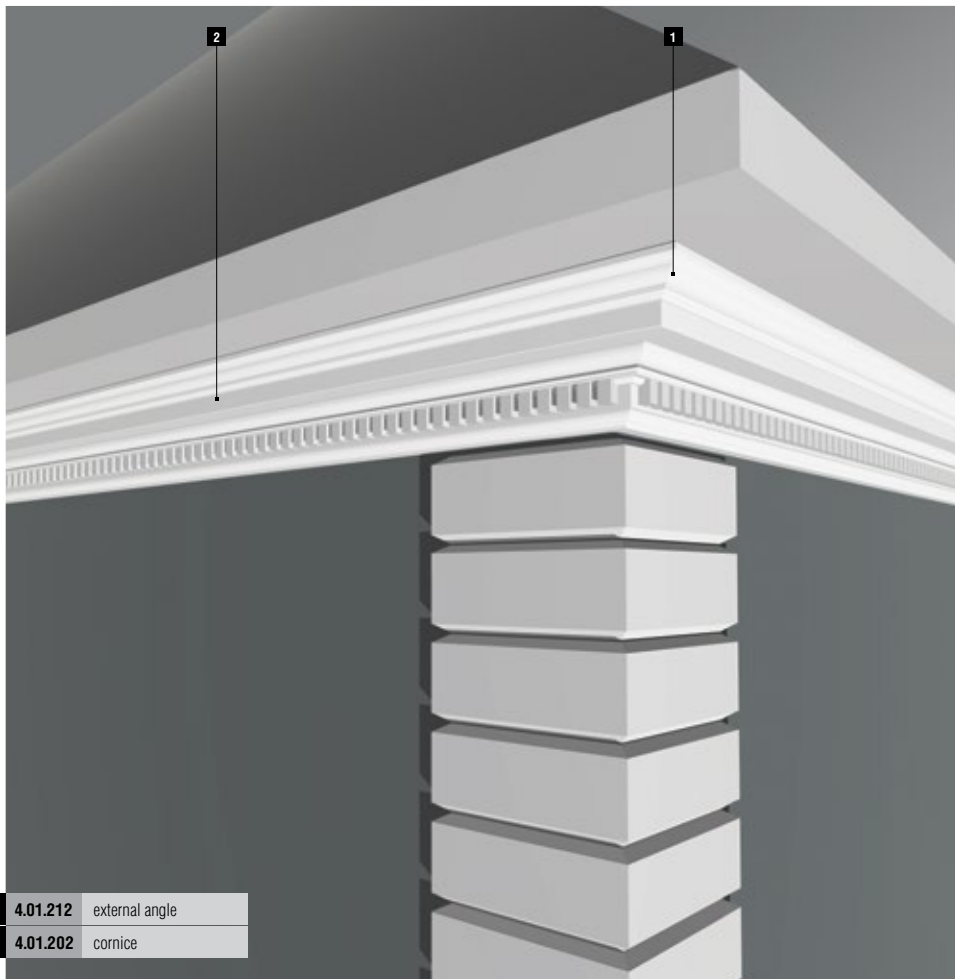
3 4.33.201 frieze

4 4.34.201 architrave



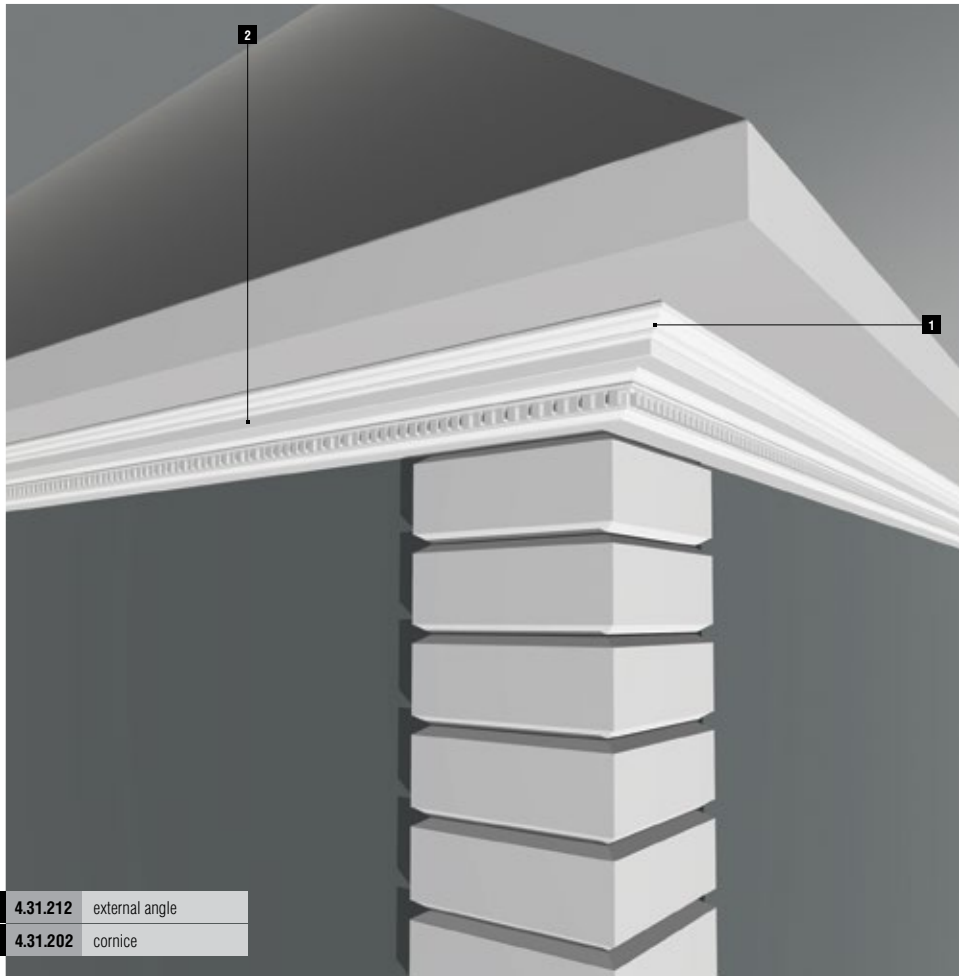
1	4.32.211	external angle
2	4.32.201	cornice
3	4.33.202	frieze
4	4.34.202	architrave

main cornices



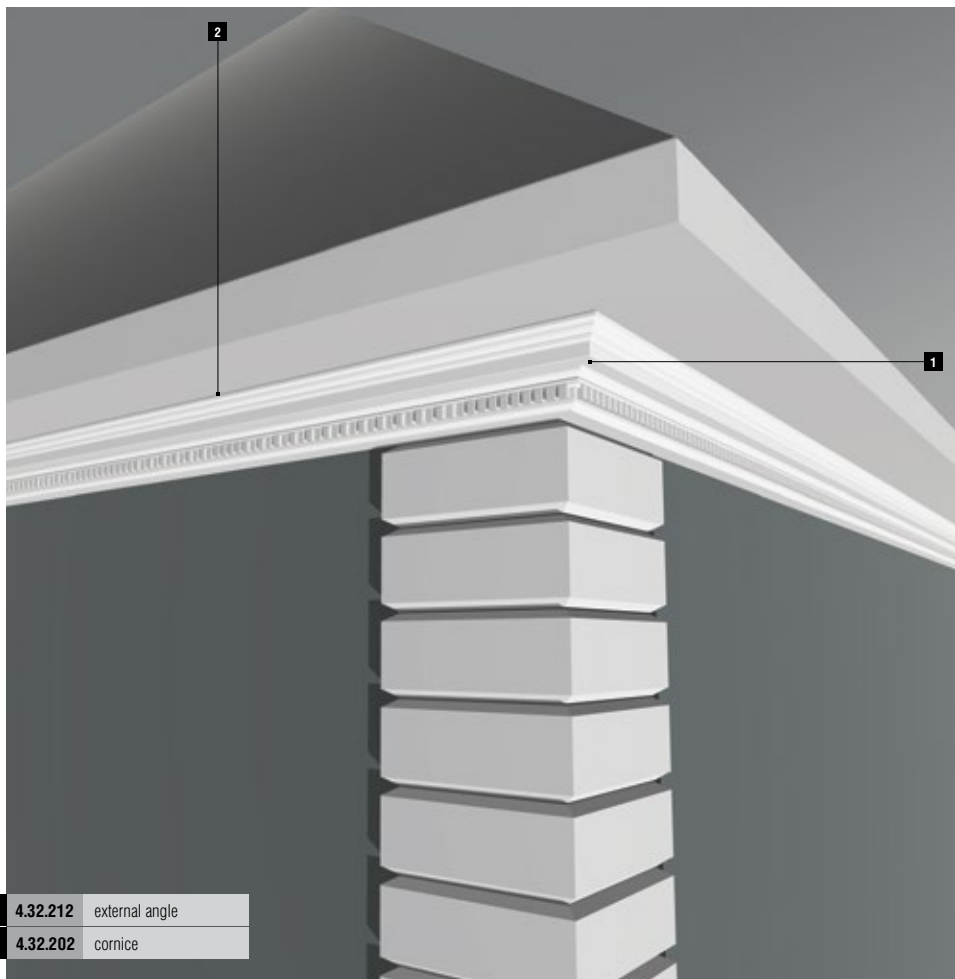
1 4.01.212 external angle

2 4.01.202 cornice



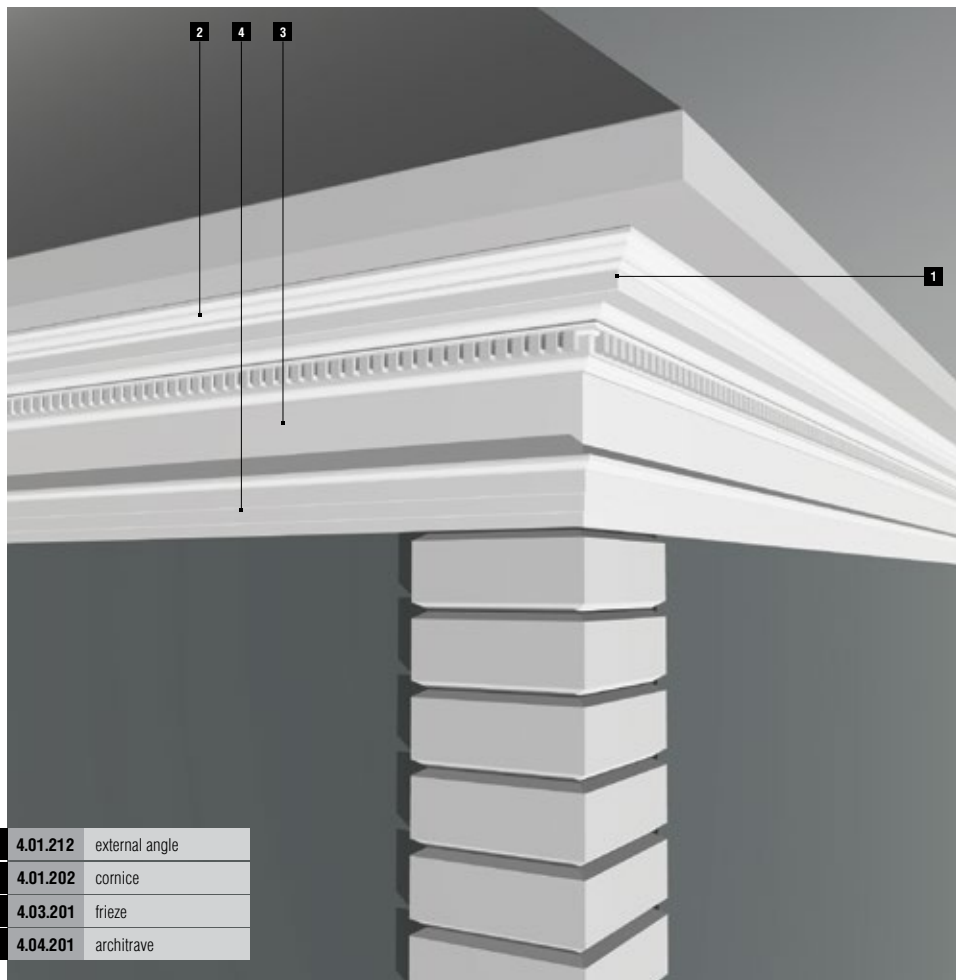
1	4.31.212	external angle
2	4.31.202	cornice

main cornices



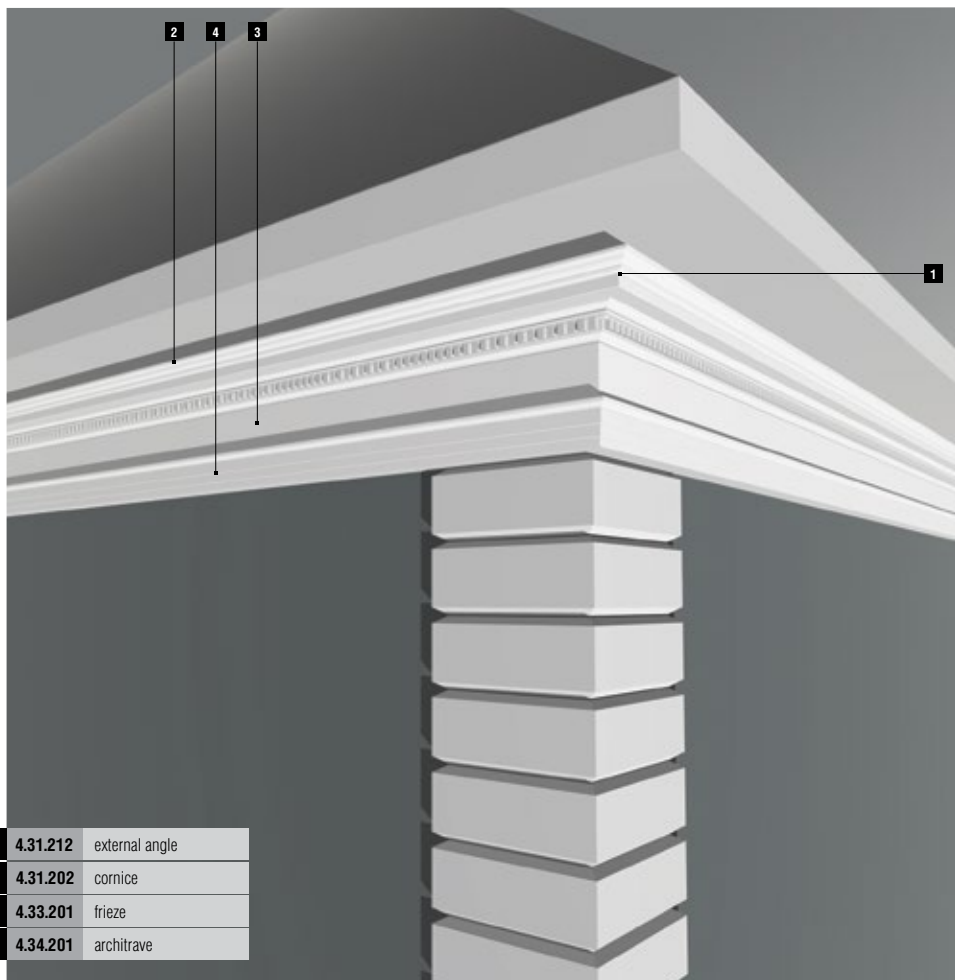
1 4.32.212 external angle

2 4.32.202 cornice

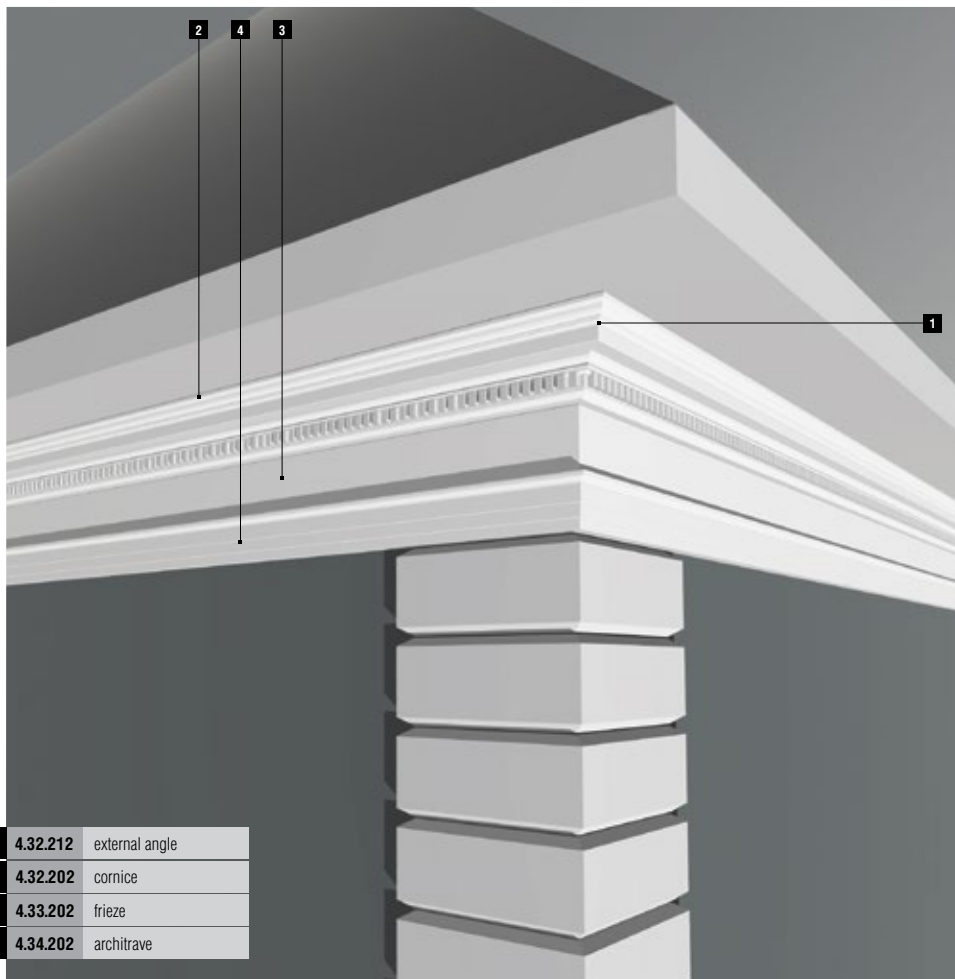


1	4.01.212	external angle
2	4.01.202	cornice
3	4.03.201	frieze
4	4.04.201	architrave

main cornices

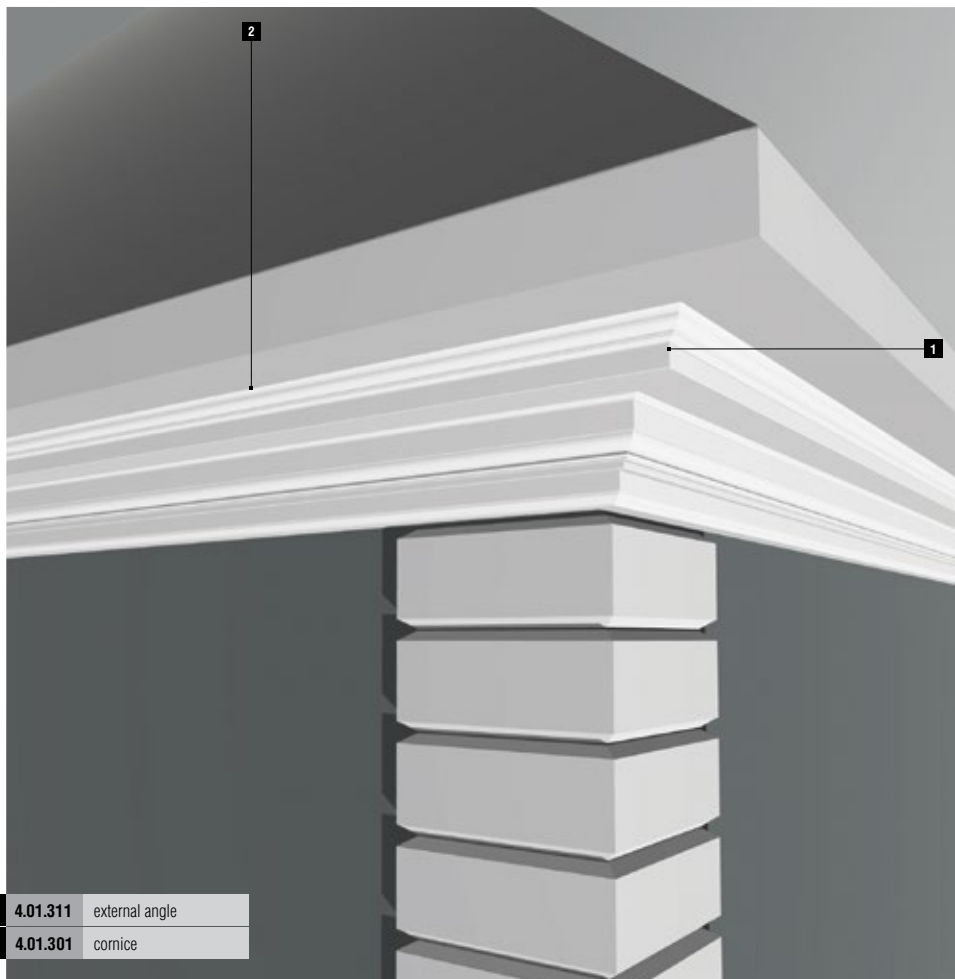


1	4.31.212	external angle
2	4.31.202	cornice
3	4.33.201	frieze
4	4.34.201	architrave



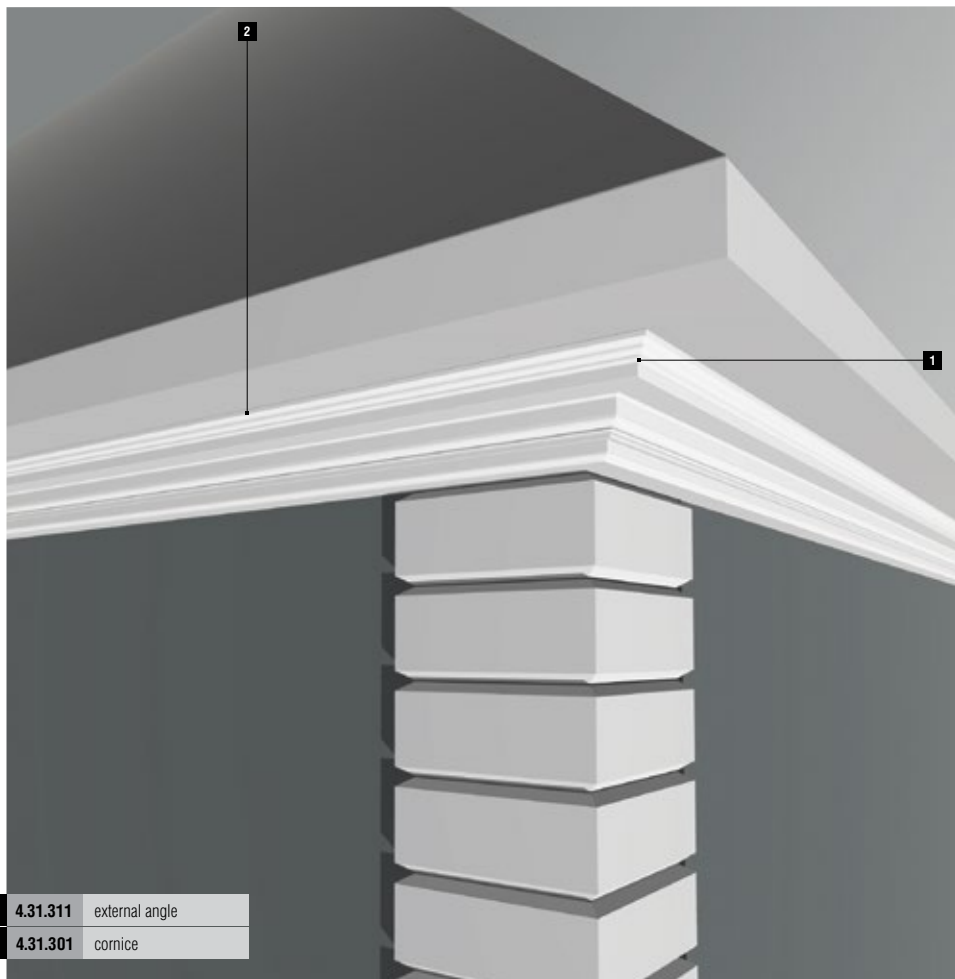
1	4.32.212	external angle
2	4.32.202	cornice
3	4.33.202	frieze
4	4.34.202	architrave

main cornices



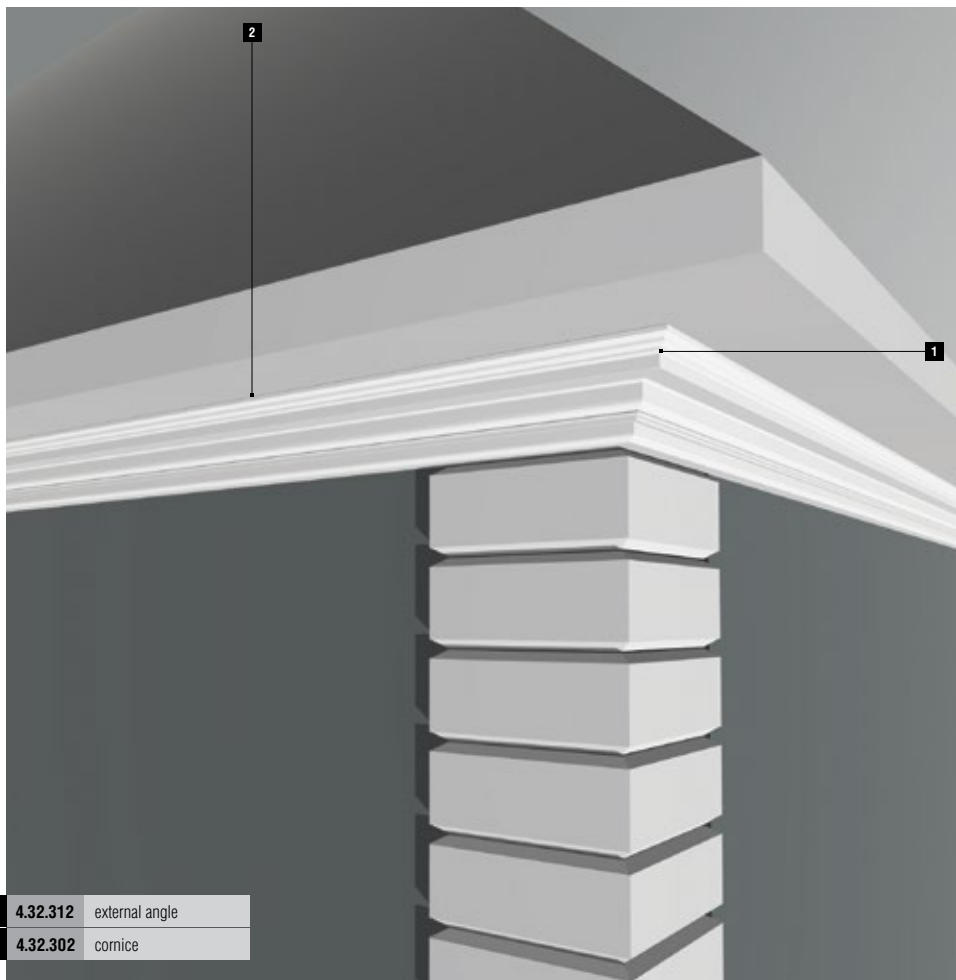
1 4.01.311 external angle

2 4.01.301 cornice



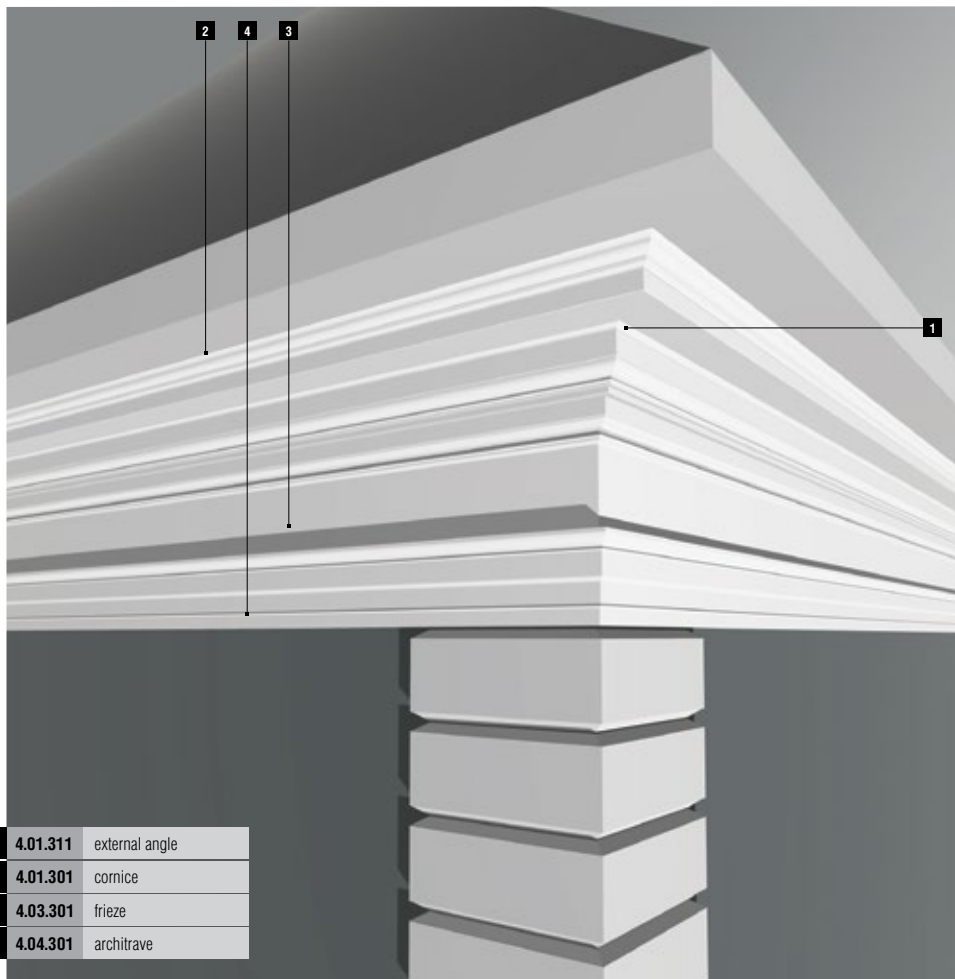
1	4.31.311	external angle
2	4.31.301	cornice

main cornices



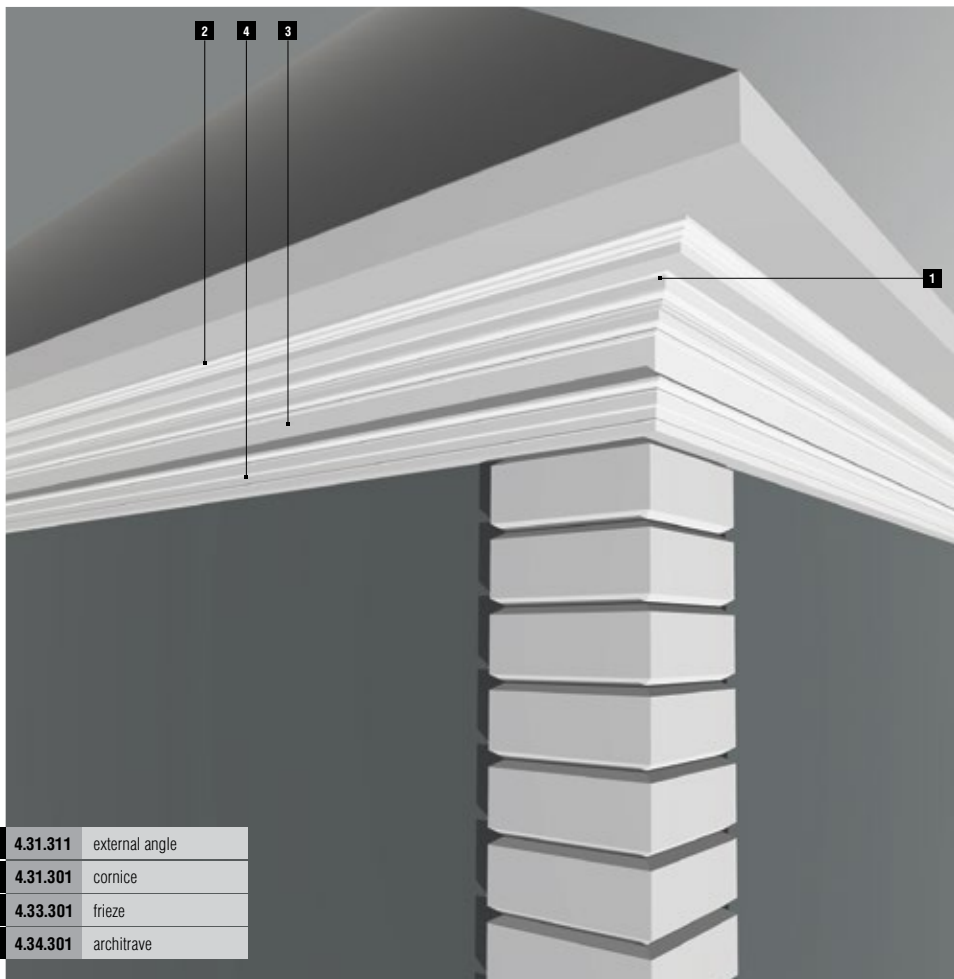
1 4.32.312 external angle

2 4.32.302 cornice

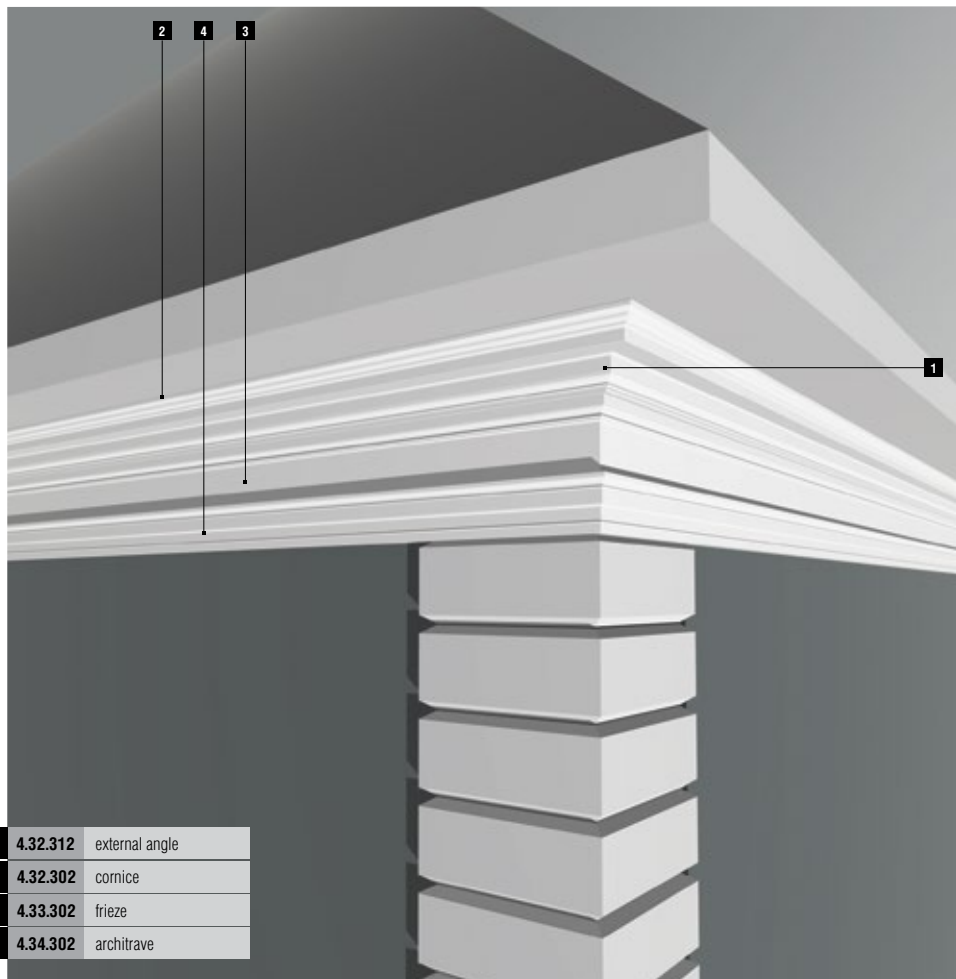


1	4.01.311	external angle
2	4.01.301	cornice
3	4.03.301	frieze
4	4.04.301	architrave

main cornices

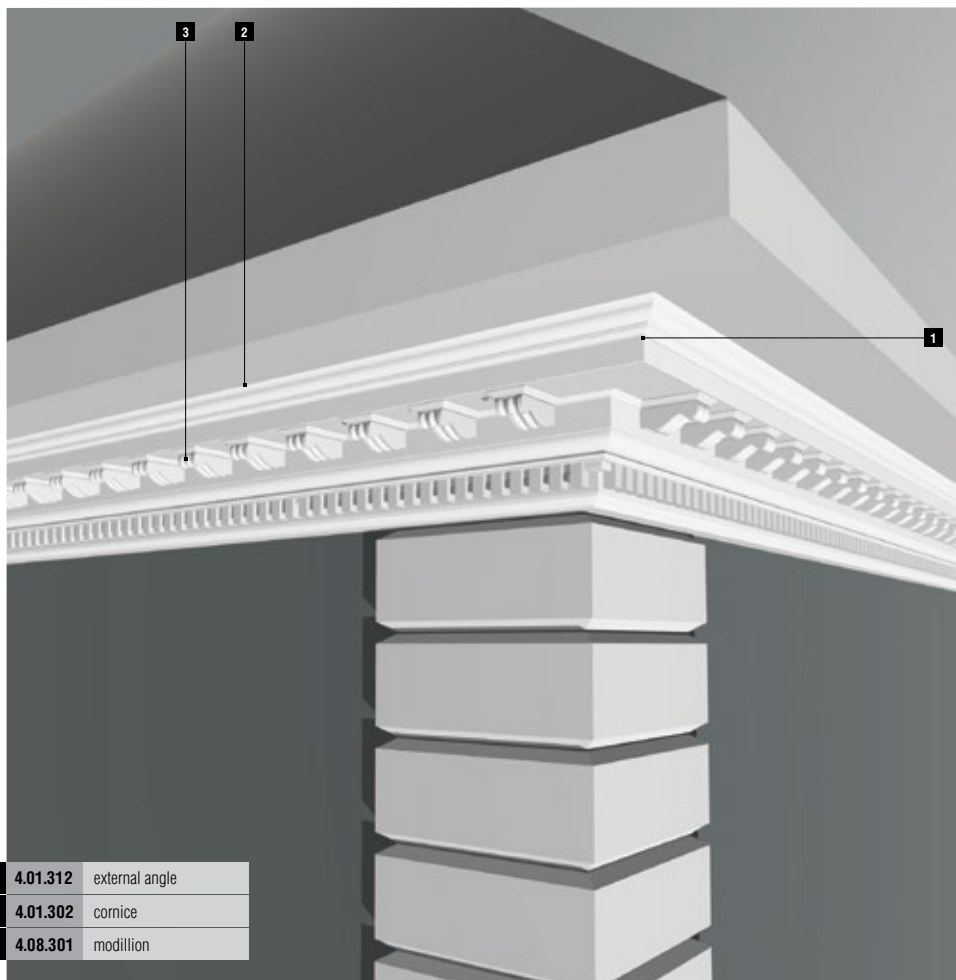


1	4.31.311	external angle
2	4.31.301	cornice
3	4.33.301	frieze
4	4.34.301	architrave



1	4.32.312	external angle
2	4.32.302	cornice
3	4.33.302	frieze
4	4.34.302	architrave

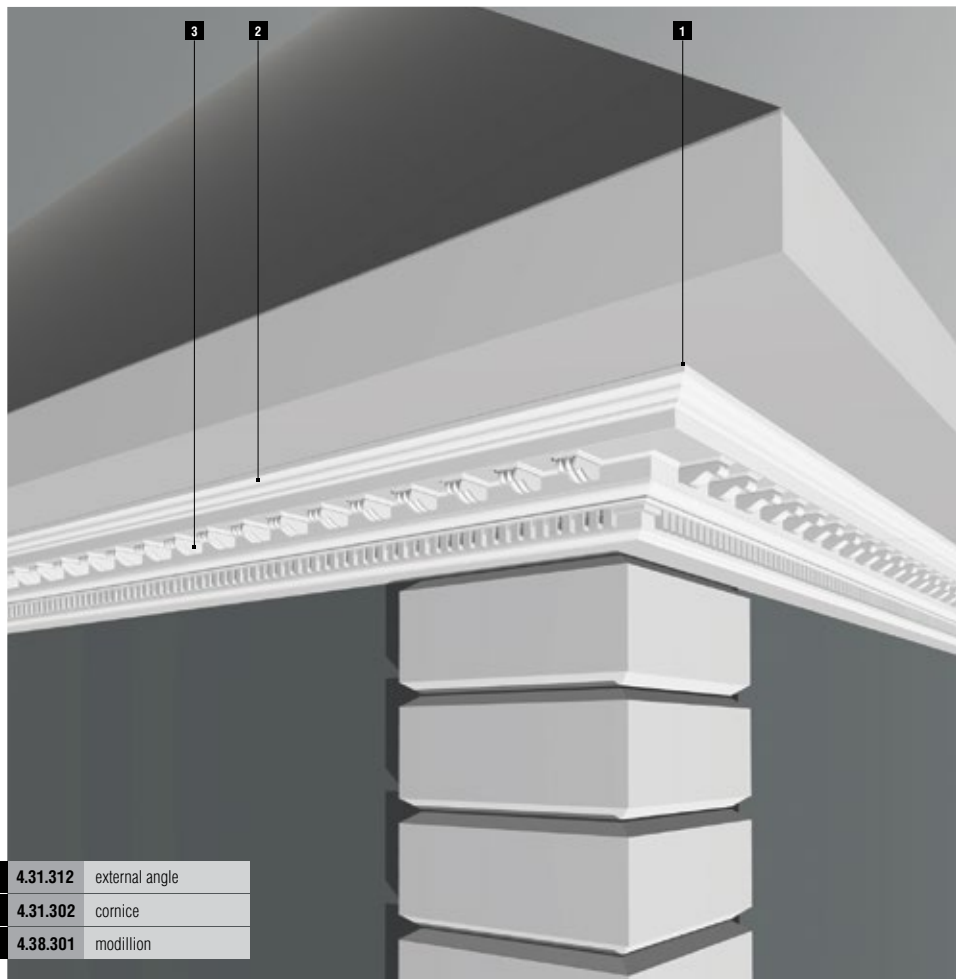
main cornices



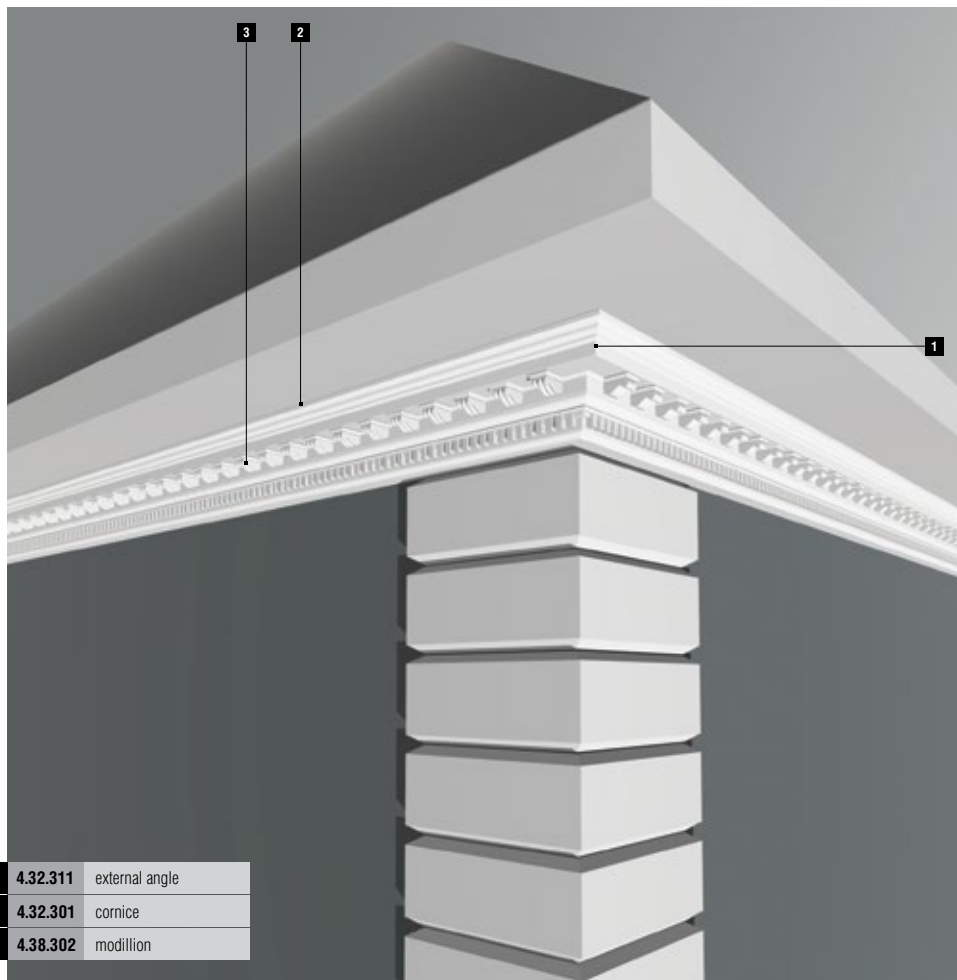
1 4.01.312 external angle

2 4.01.302 cornice

3 4.08.301 modillion



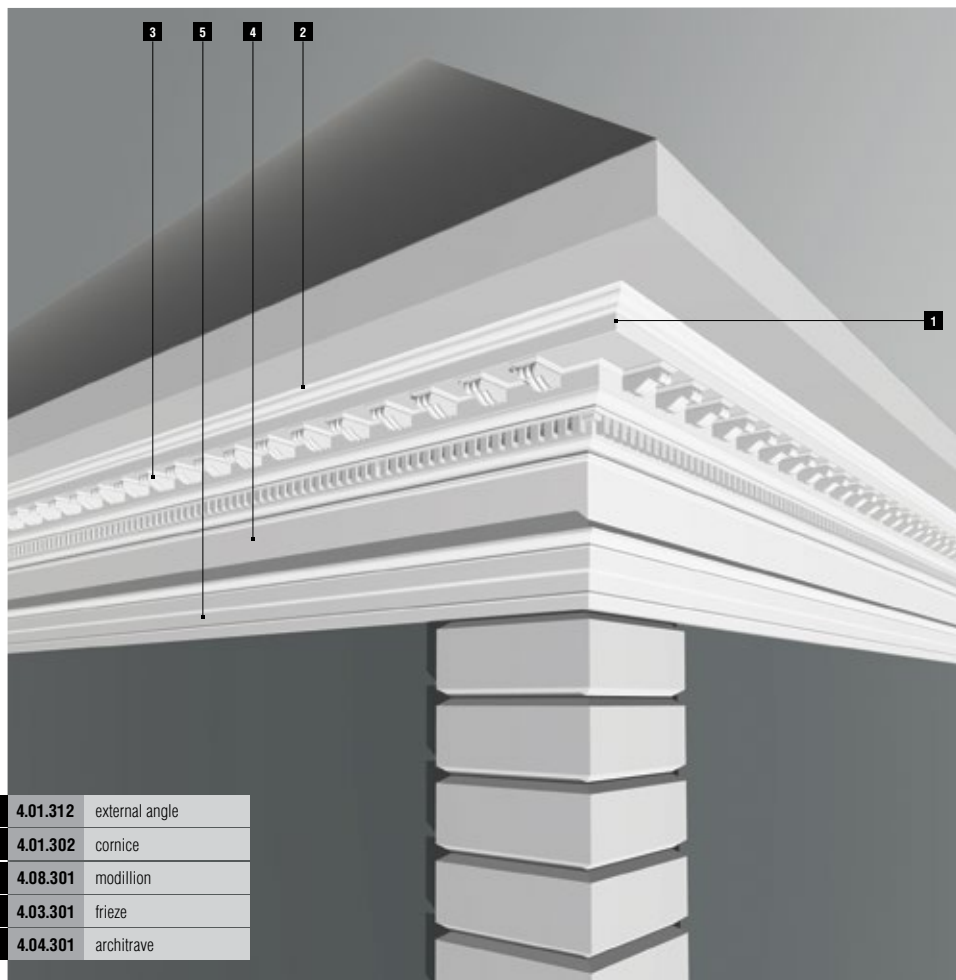
main cornices



1 4.32.311 external angle

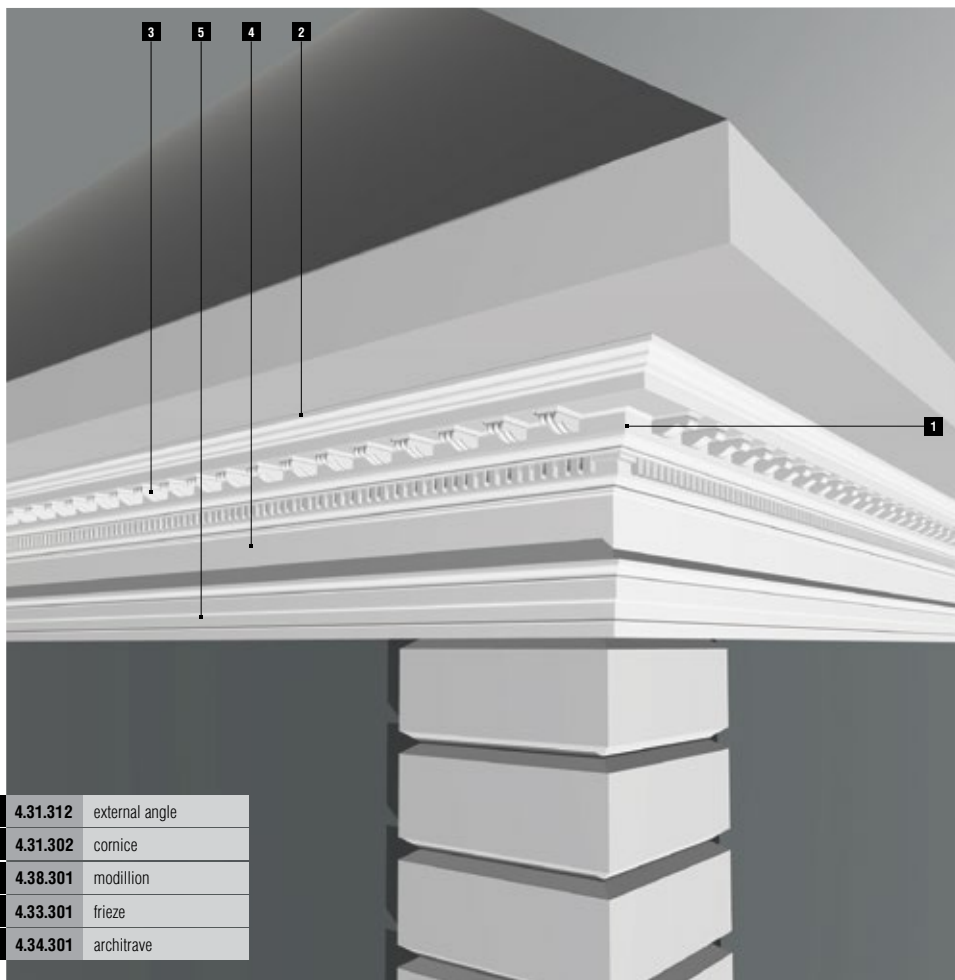
2 4.32.301 cornice

3 4.38.302 modillion



1	4.01.312	external angle
2	4.01.302	cornice
3	4.08.301	modillion
4	4.03.301	frieze
5	4.04.301	architrave

main cornices



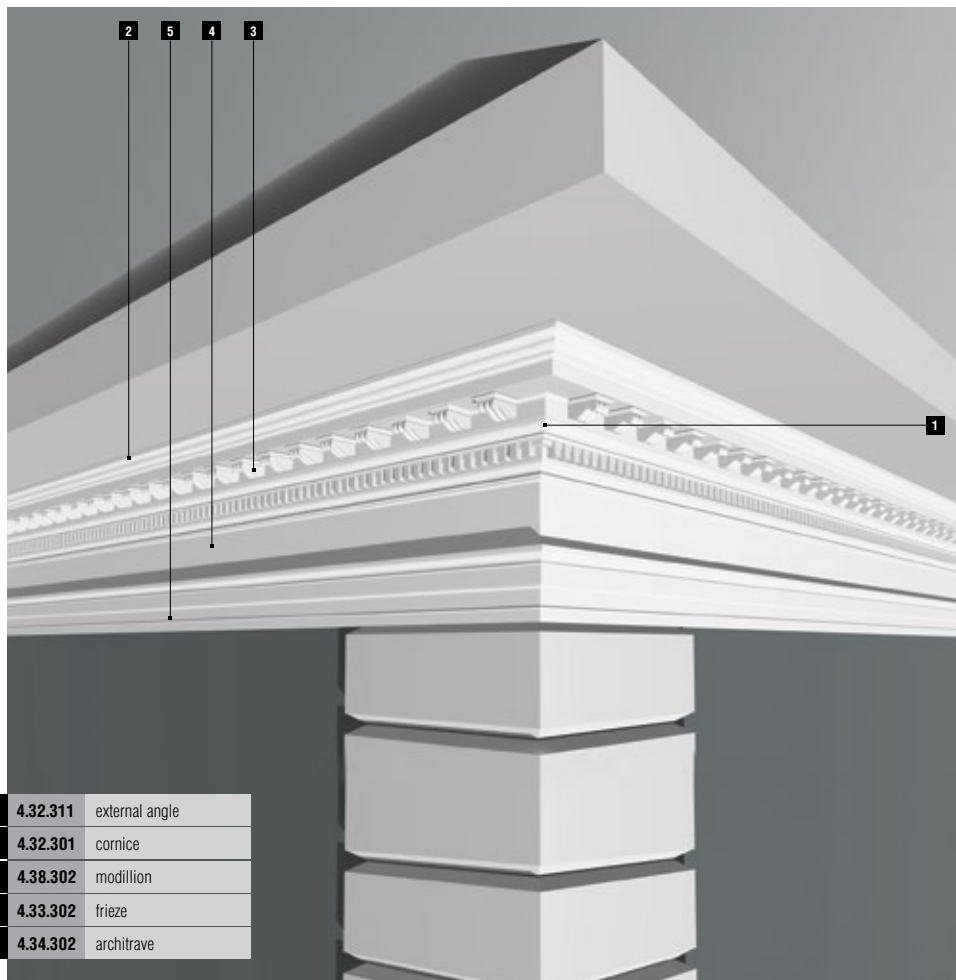
1 4.31.312 external angle

2 4.31.302 cornice

3 4.38.301 modillion

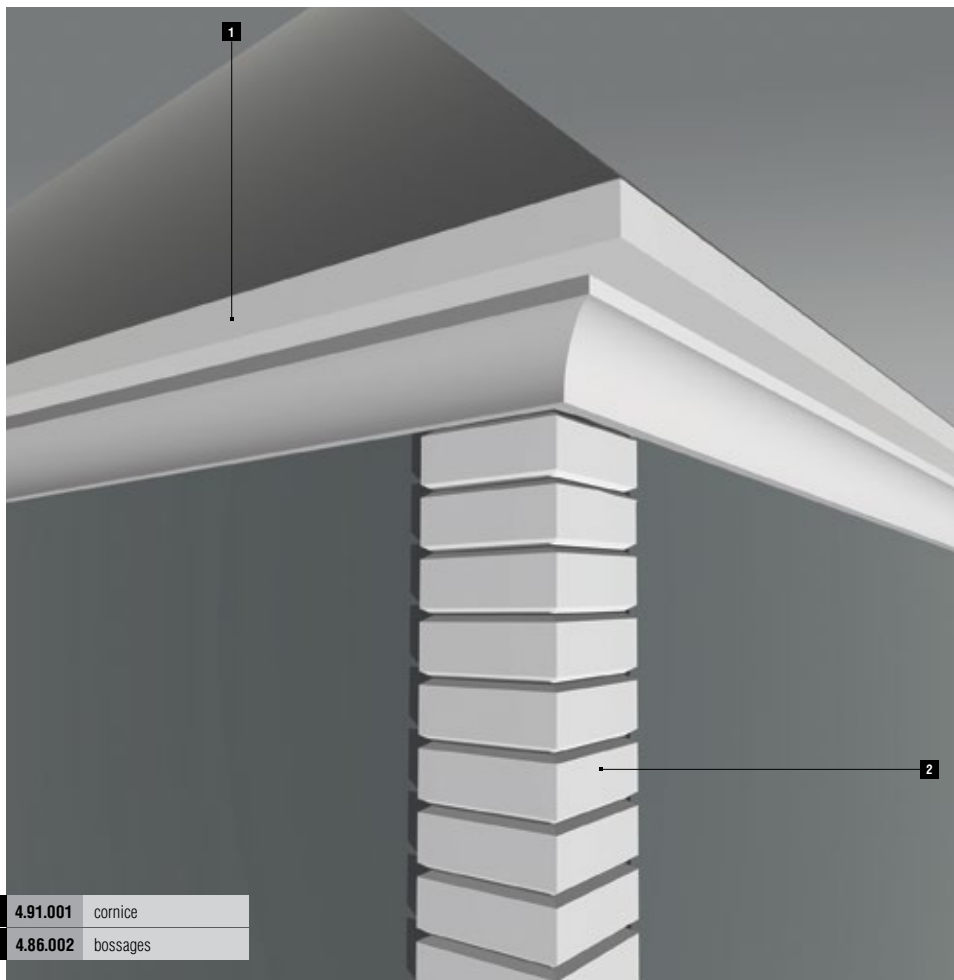
4 4.33.301 frieze

5 4.34.301 architrave

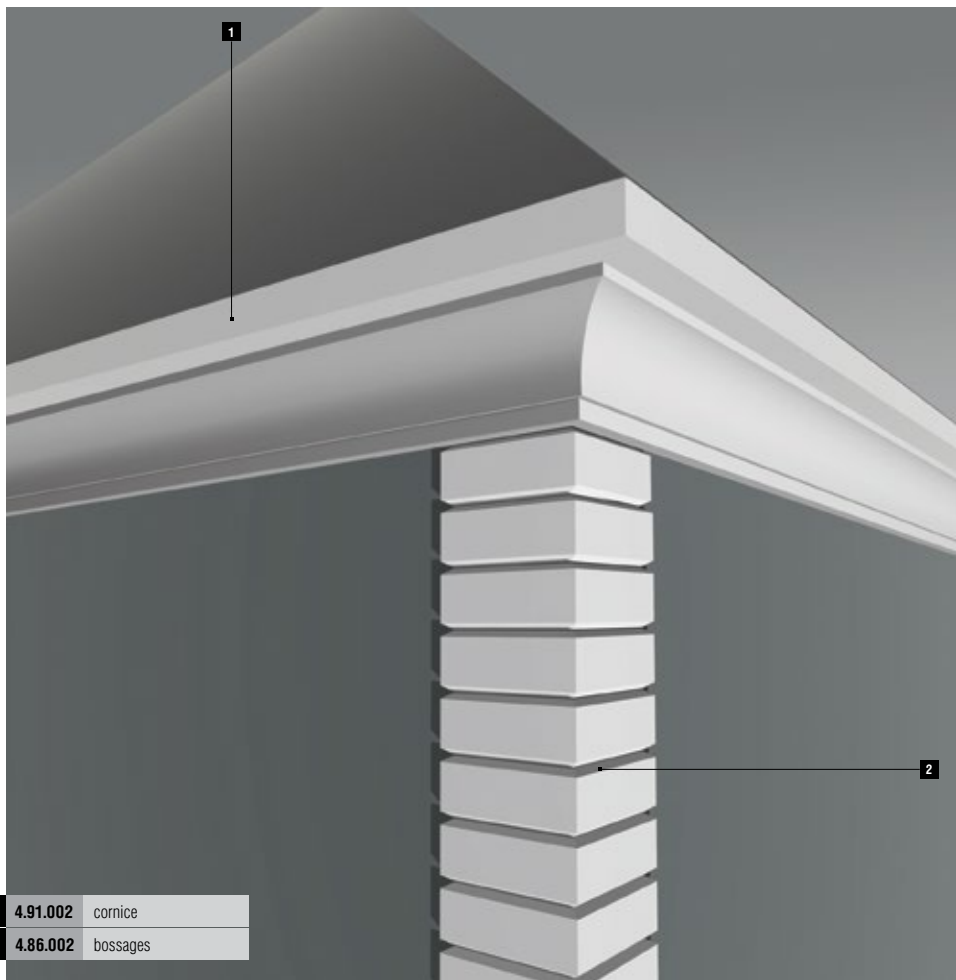


1	4.32.311	external angle
2	4.32.301	cornice
3	4.38.302	modillion
4	4.33.302	frieze
5	4.34.302	architrave

main cornices

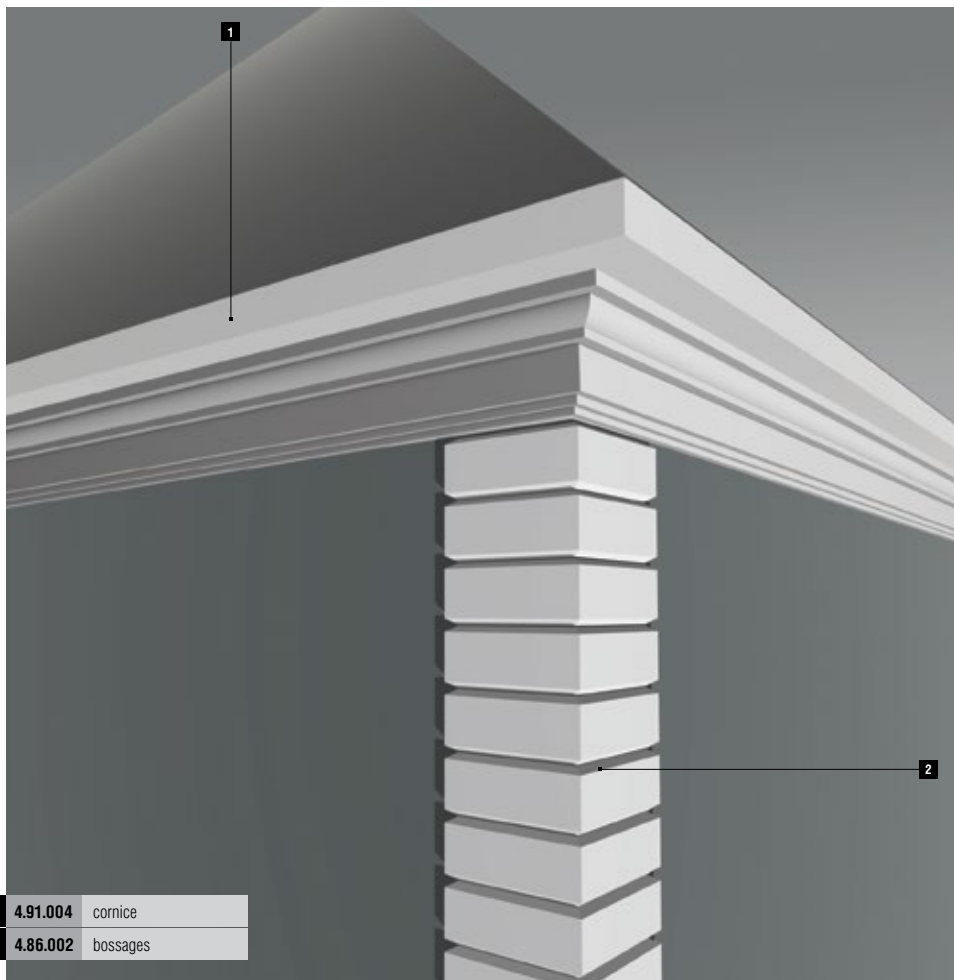


1	4.91.001	cornice
2	4.86.002	bossages

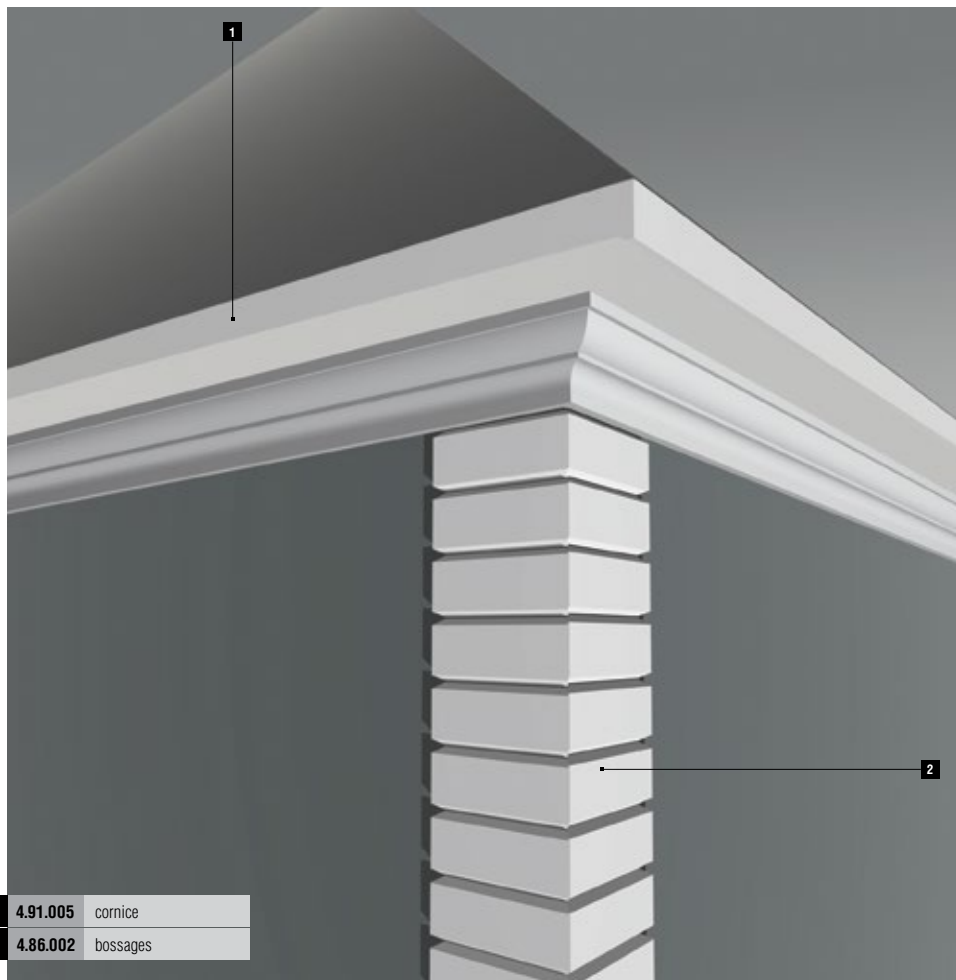


1	4.91.002	cornice
2	4.86.002	bossages

main cornices

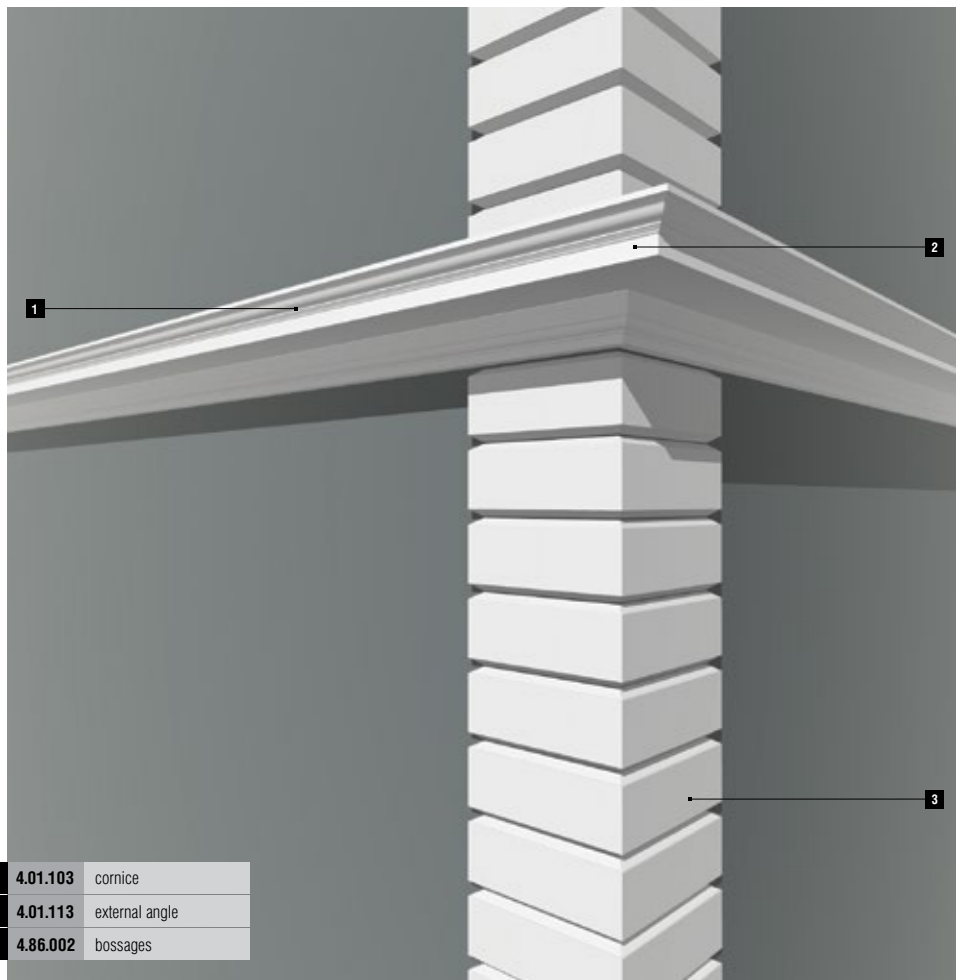


1	4.91.004	cornice
2	4.86.002	bossages

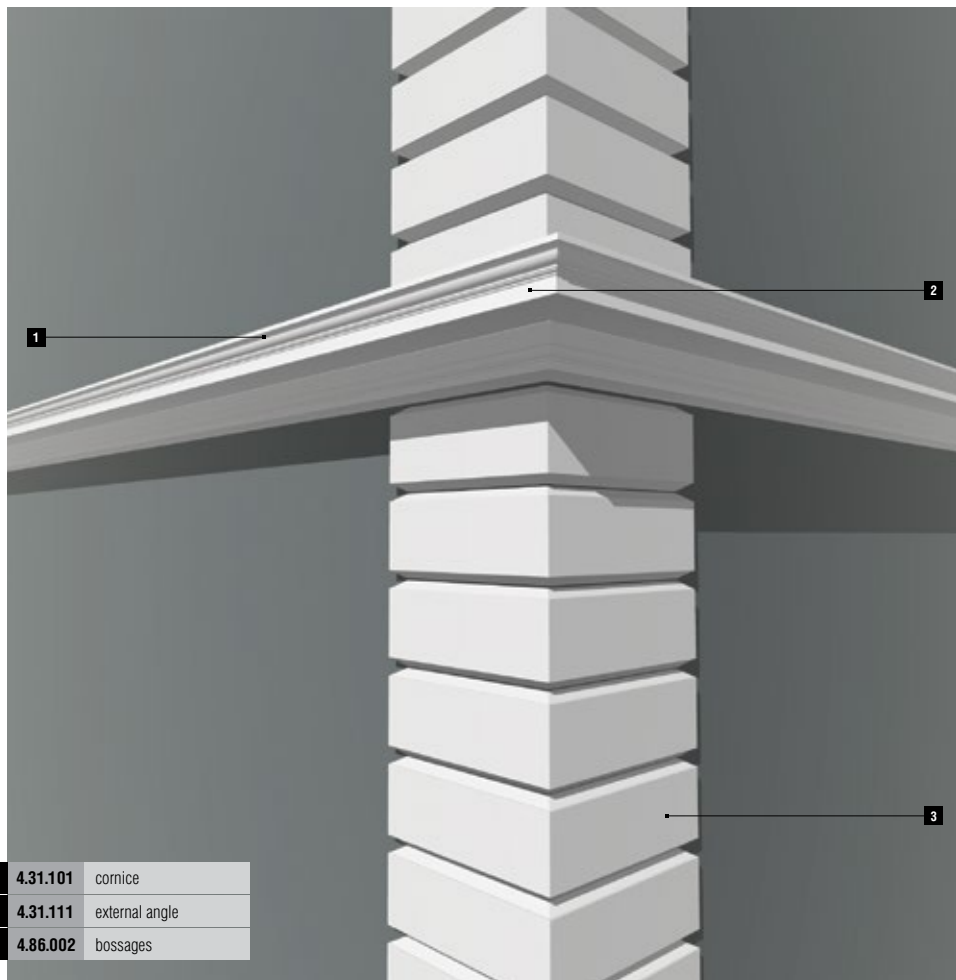


1	4.91.005	cornice
2	4.86.002	bossages

facade mouldings

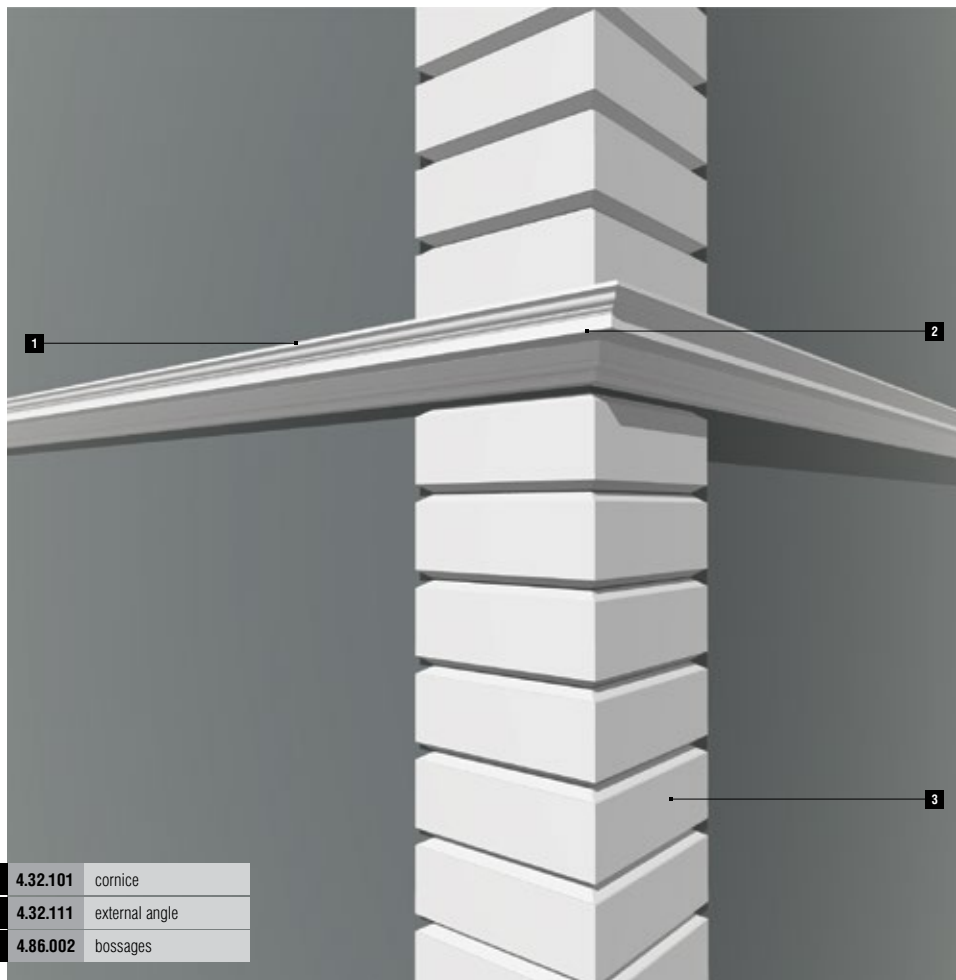


1	4.01.103	cornice
2	4.01.113	external angle
3	4.86.002	bossages

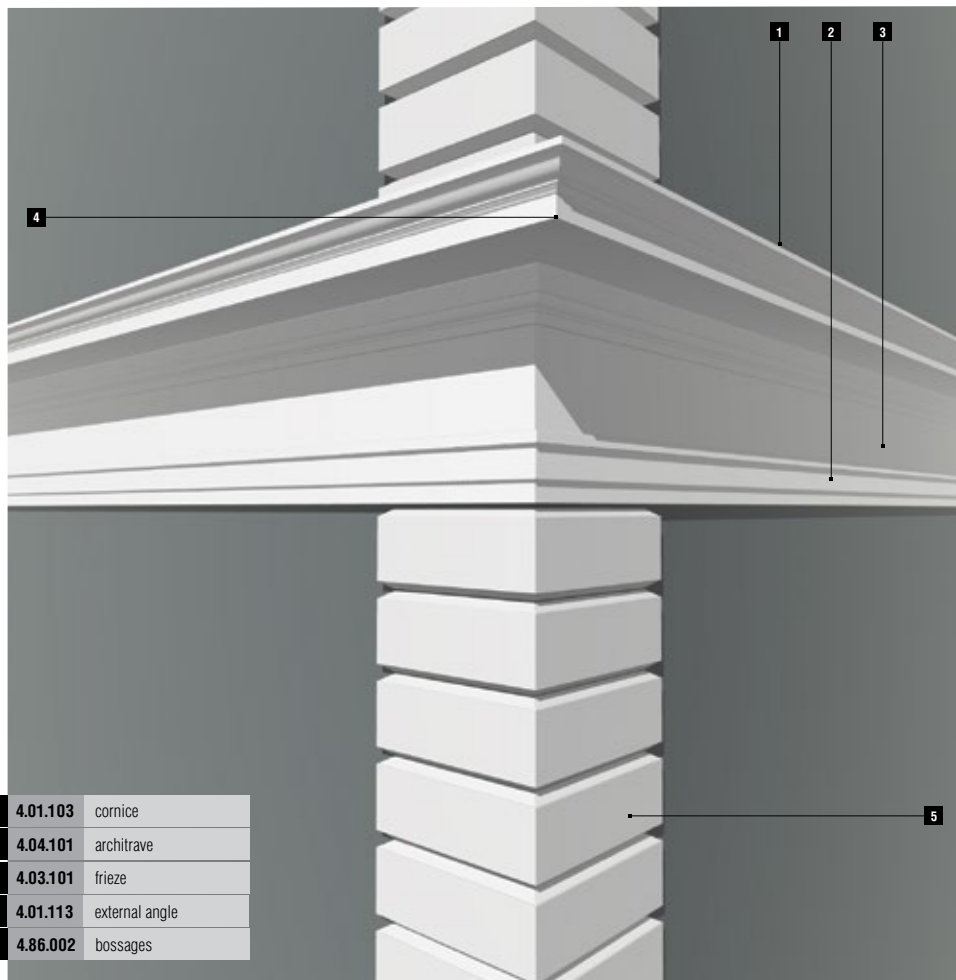


1	4.31.101	cornice
2	4.31.111	external angle
3	4.86.002	bossages

facade mouldings

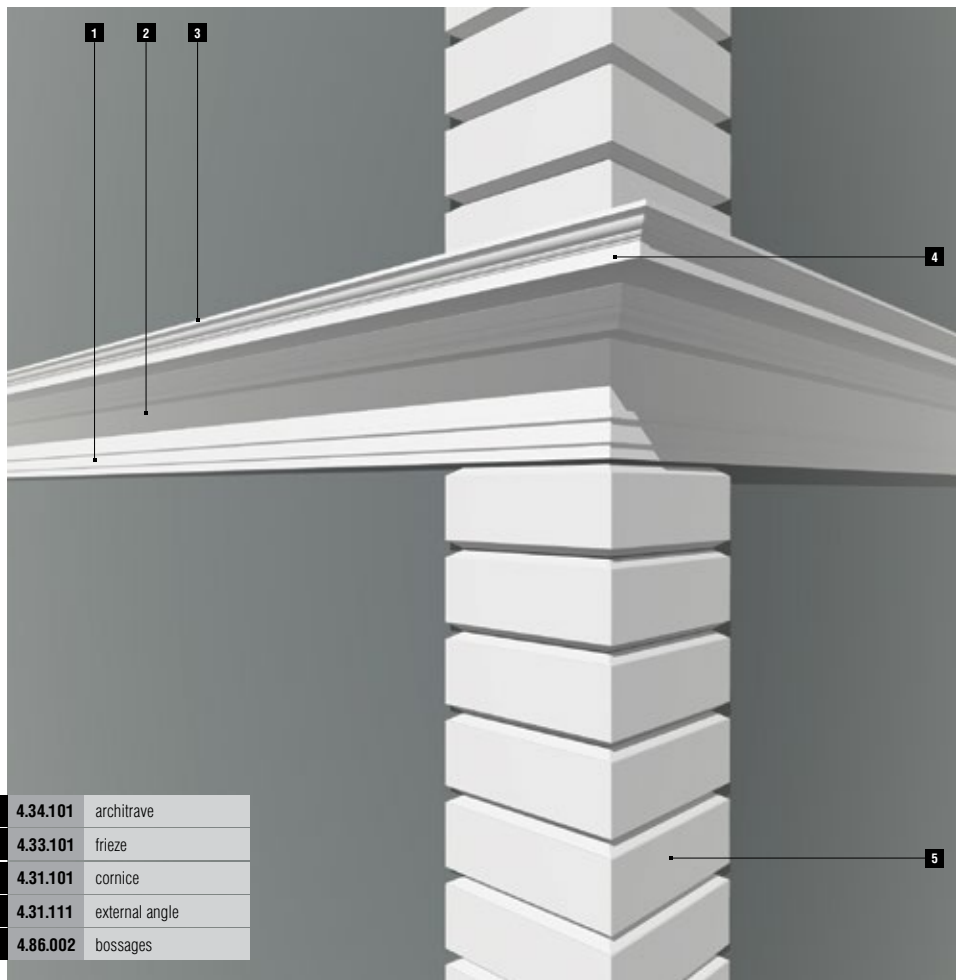


1	4.32.101	cornice
2	4.32.111	external angle
3	4.86.002	bossages

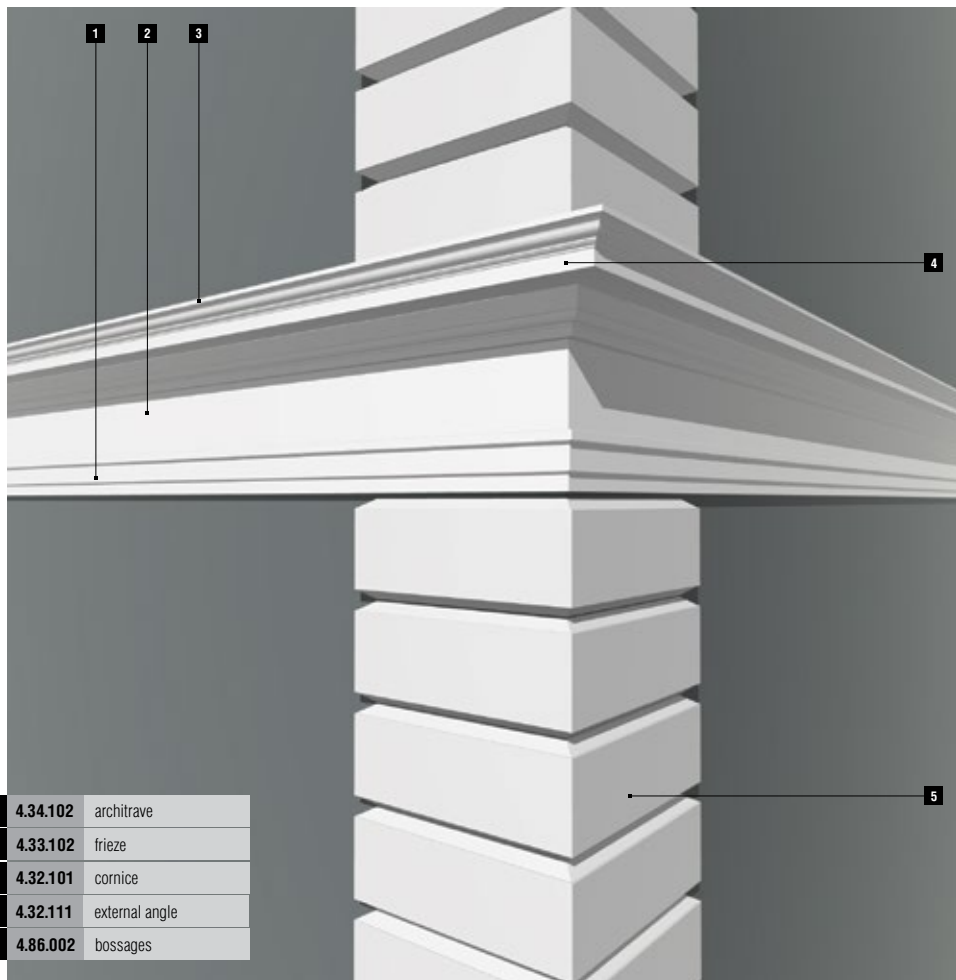


1	4.01.103	cornice
2	4.04.101	architrave
3	4.03.101	frieze
4	4.01.113	external angle
5	4.86.002	bossages

facade mouldings

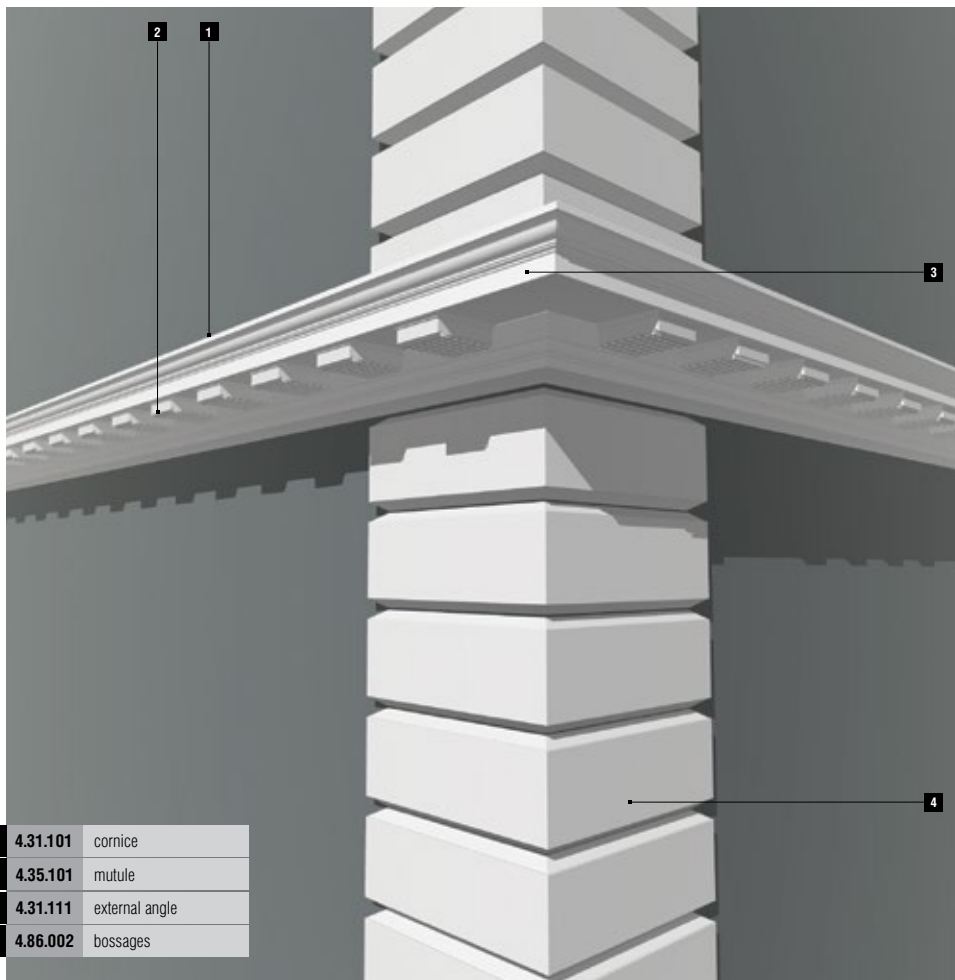


1	4.34.101	architrave
2	4.33.101	frieze
3	4.31.101	cornice
4	4.31.111	external angle
5	4.86.002	bossages

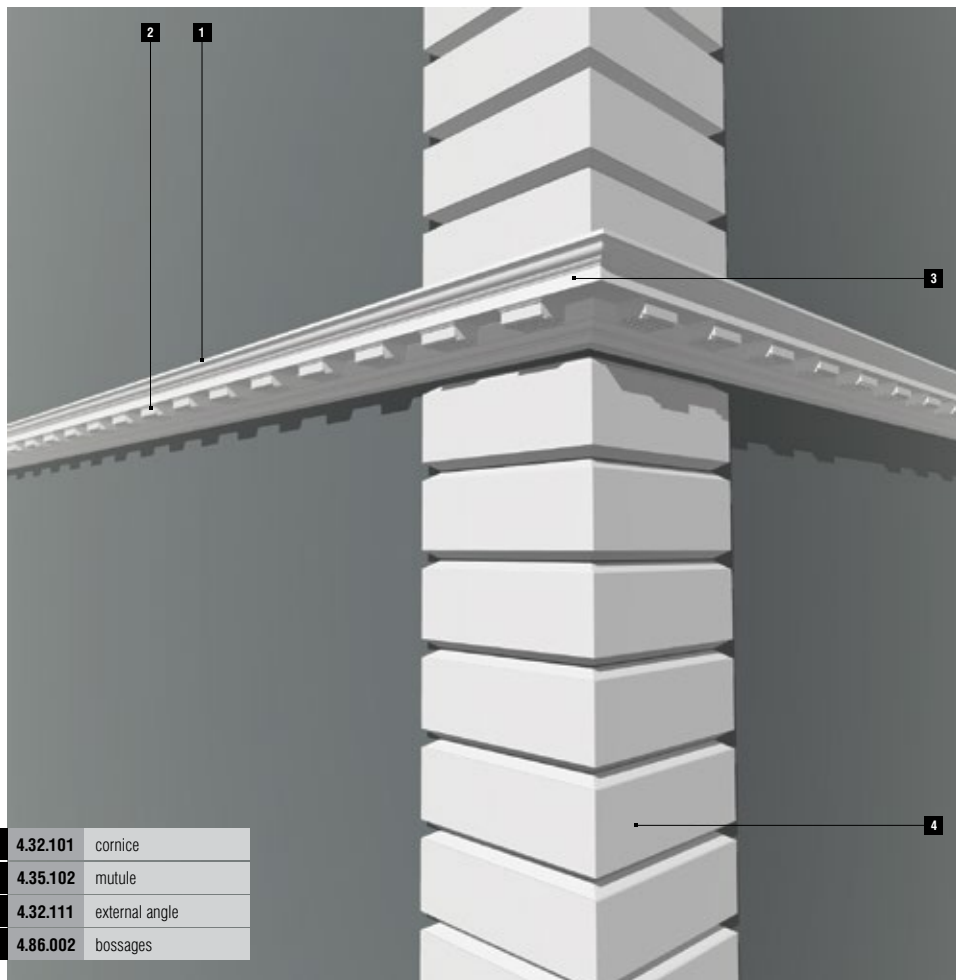


1	4.34.102	architrave
2	4.33.102	frieze
3	4.32.101	cornice
4	4.32.111	external angle
5	4.86.002	bossages

facade mouldings

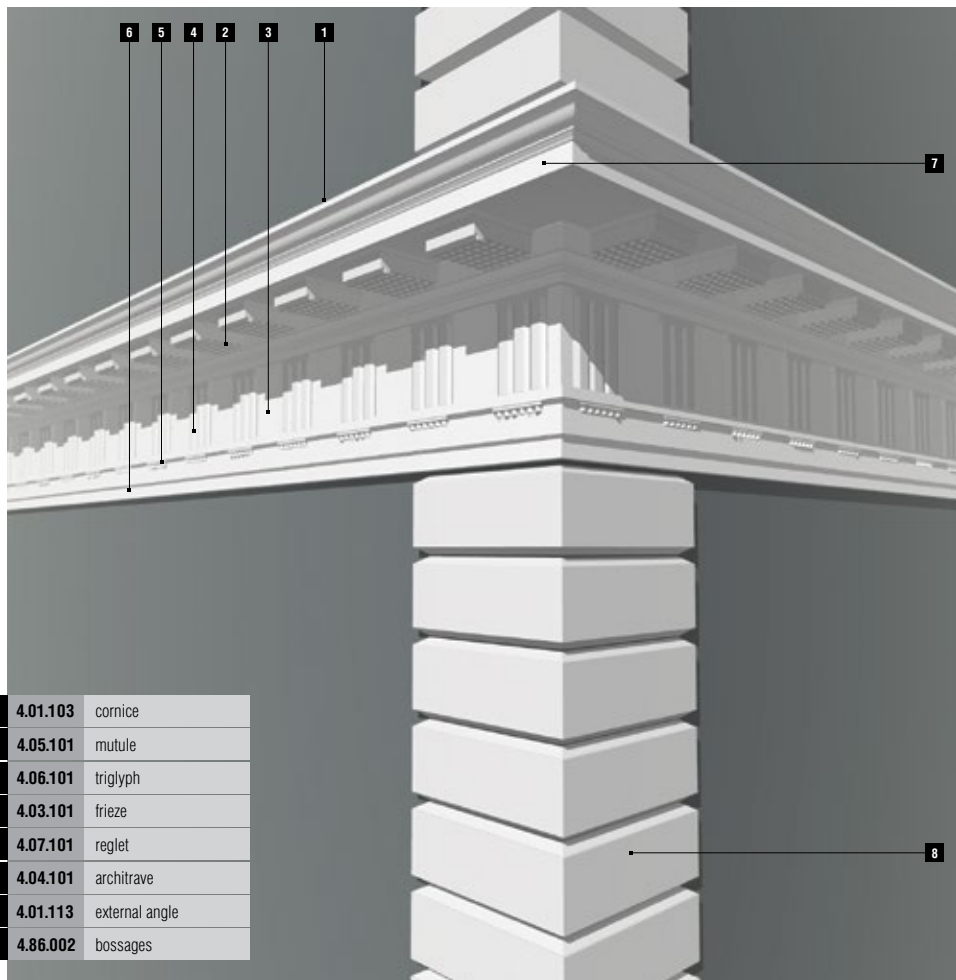


1	4.31.101	cornice
2	4.35.101	mutule
3	4.31.111	external angle
4	4.86.002	bossages

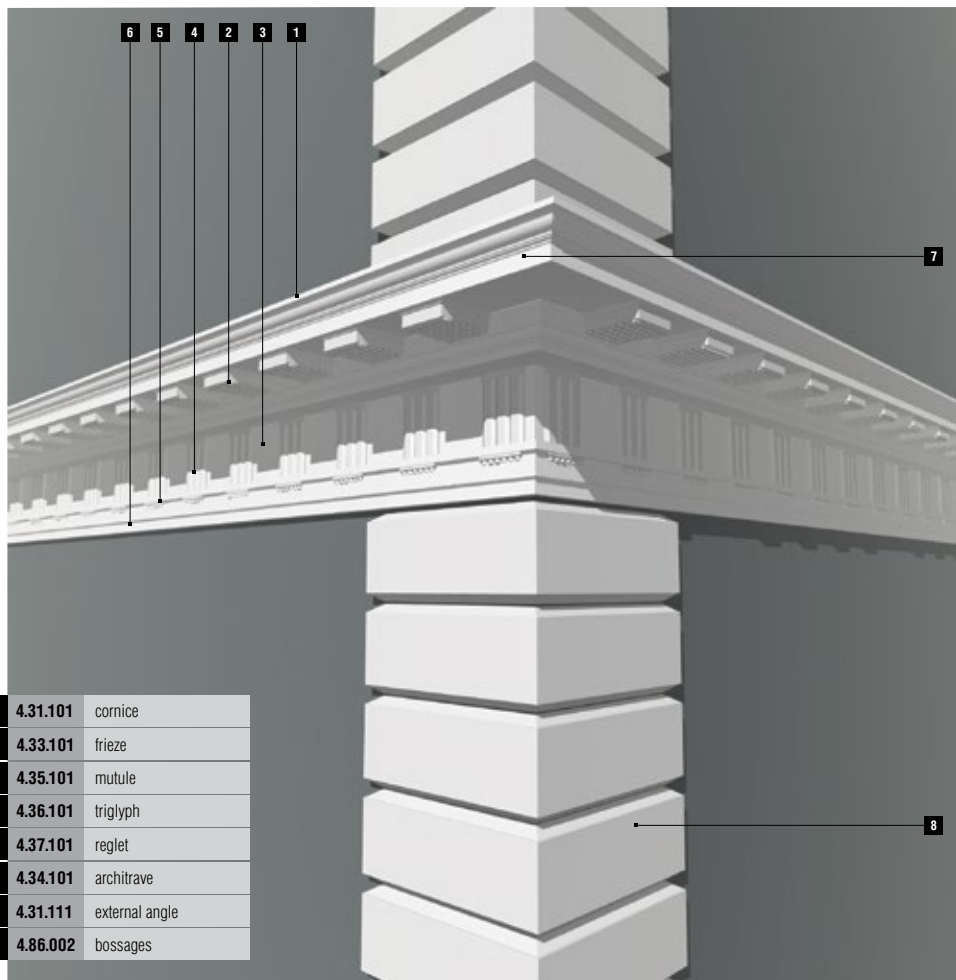


1	4.32.101	cornice
2	4.35.102	mutule
3	4.32.111	external angle
4	4.86.002	bossages

facade mouldings

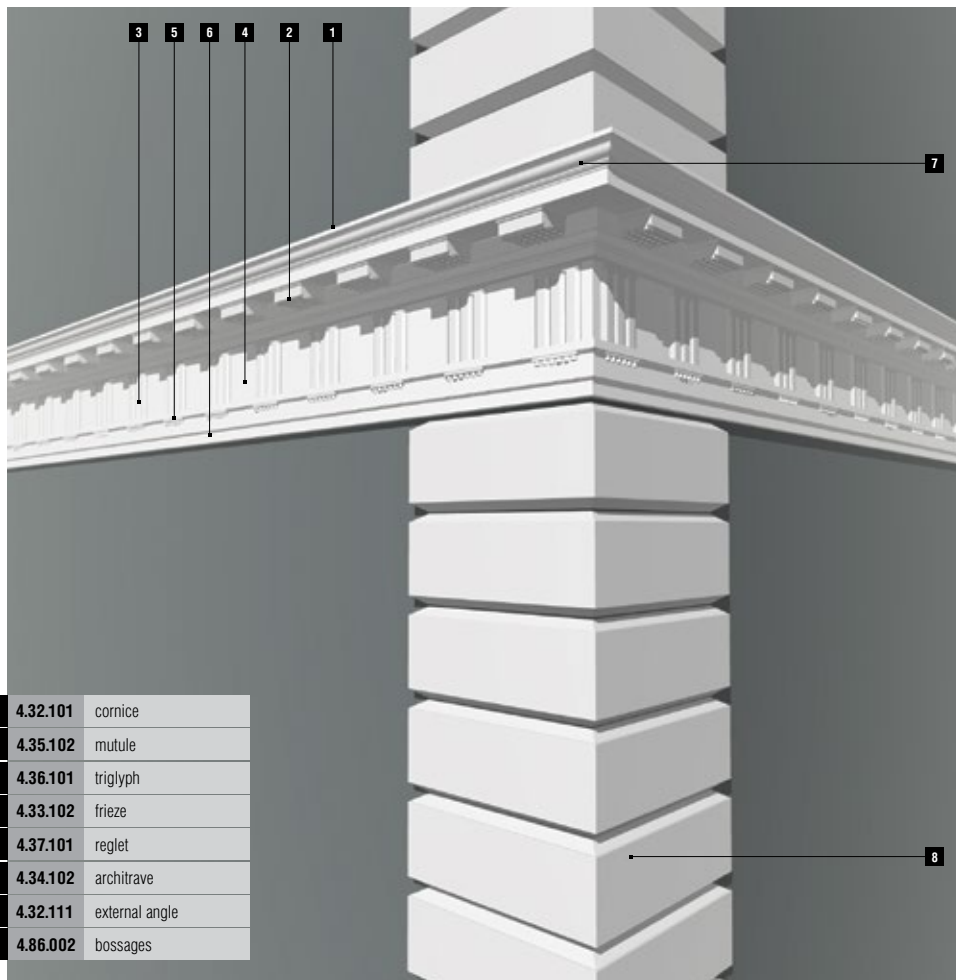


1	4.01.103	cornice
2	4.05.101	mutule
3	4.06.101	triglyph
4	4.03.101	frieze
5	4.07.101	reglet
6	4.04.101	architrave
7	4.01.113	external angle
8	4.86.002	bossages

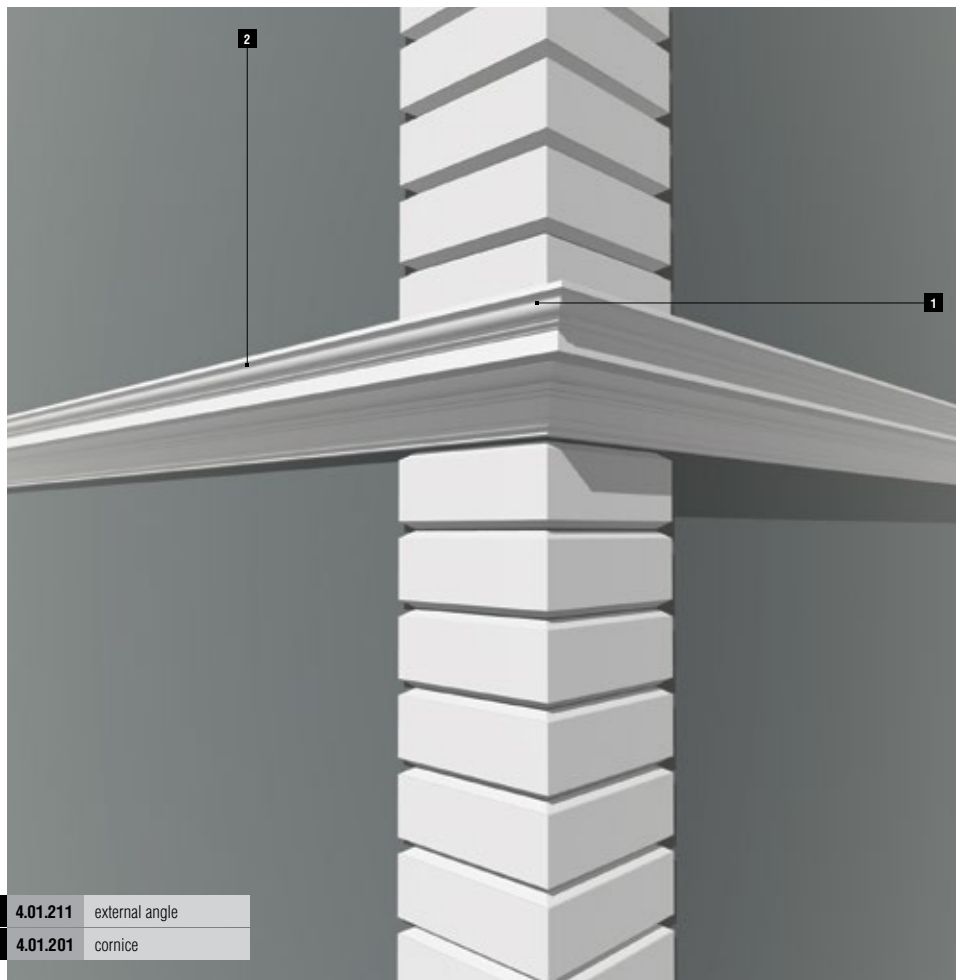


1	4.31.101	cornice
2	4.33.101	frieze
3	4.35.101	mutule
4	4.36.101	triglyph
5	4.37.101	reglet
6	4.34.101	architrave
7	4.31.111	external angle
8	4.86.002	bossages

facade mouldings

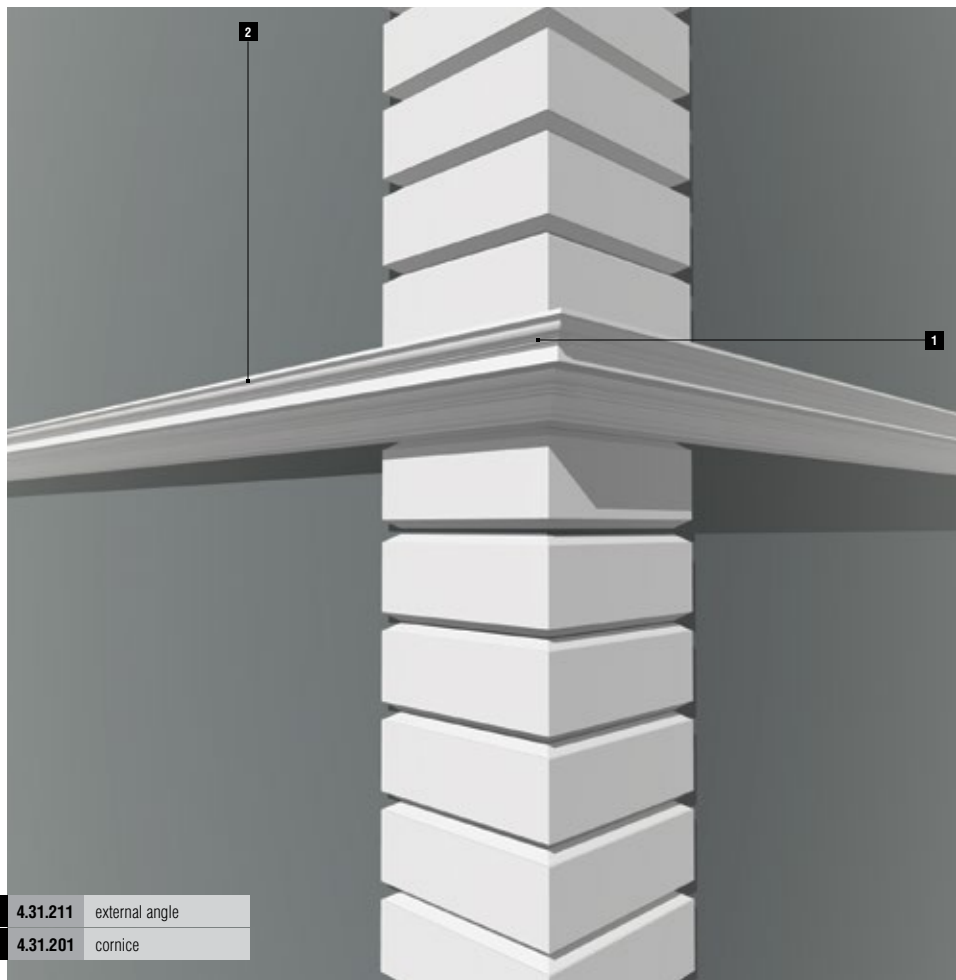


1	4.32.101	cornice
2	4.35.102	mutule
3	4.36.101	triglyph
4	4.33.102	frieze
5	4.37.101	reglet
6	4.34.102	architrave
7	4.32.111	external angle
8	4.86.002	bossages



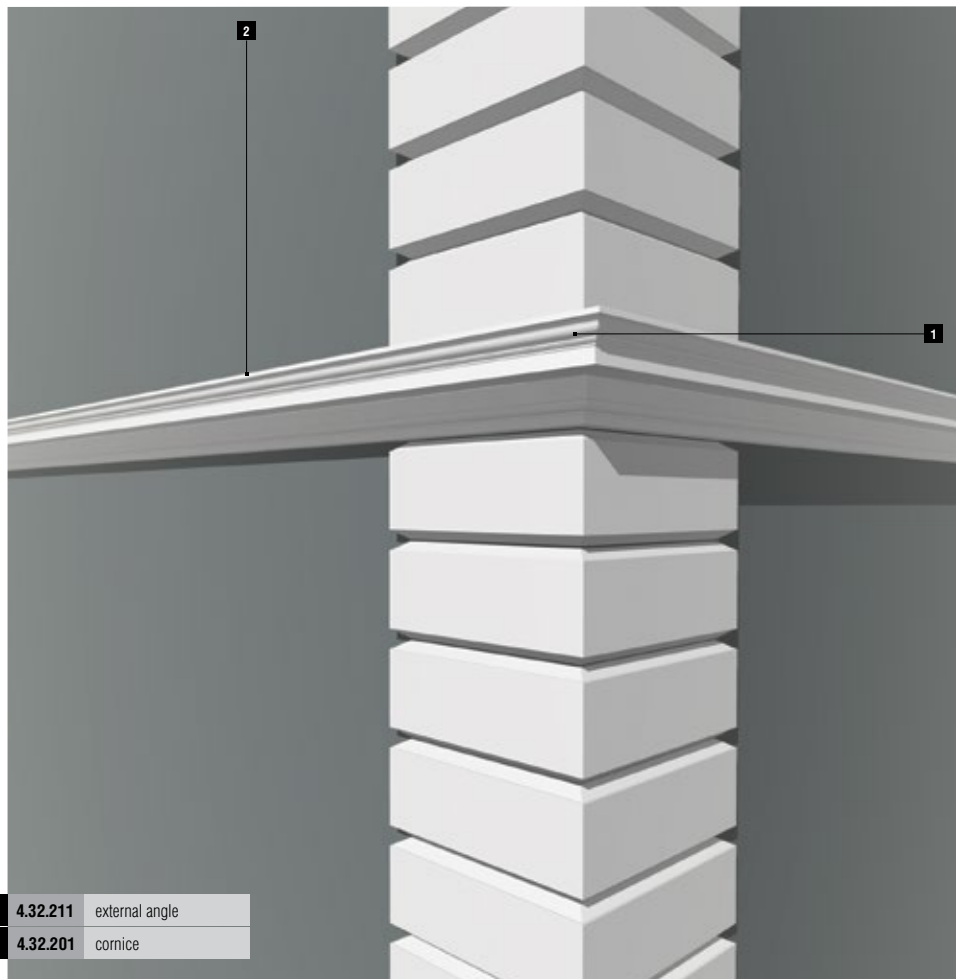
1	4.01.211	external angle
2	4.01.201	cornice

facade mouldings



1 4.31.211 external angle

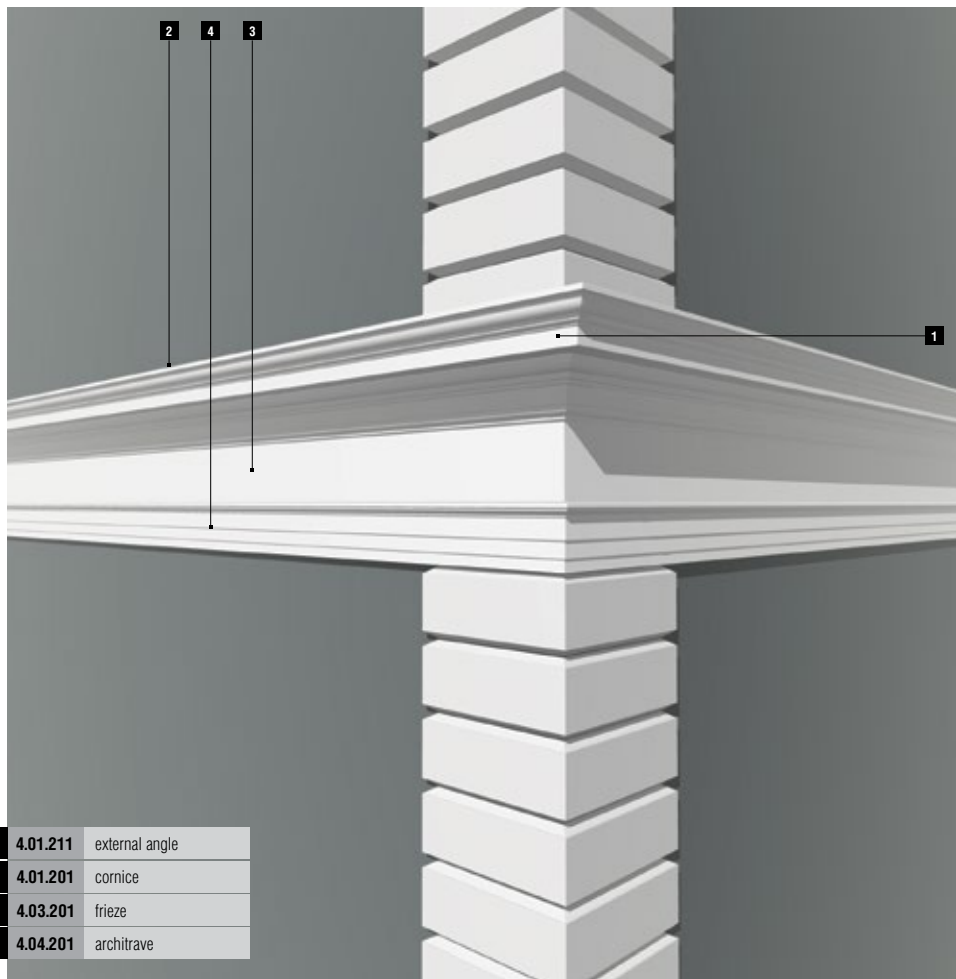
2 4.31.201 cornice



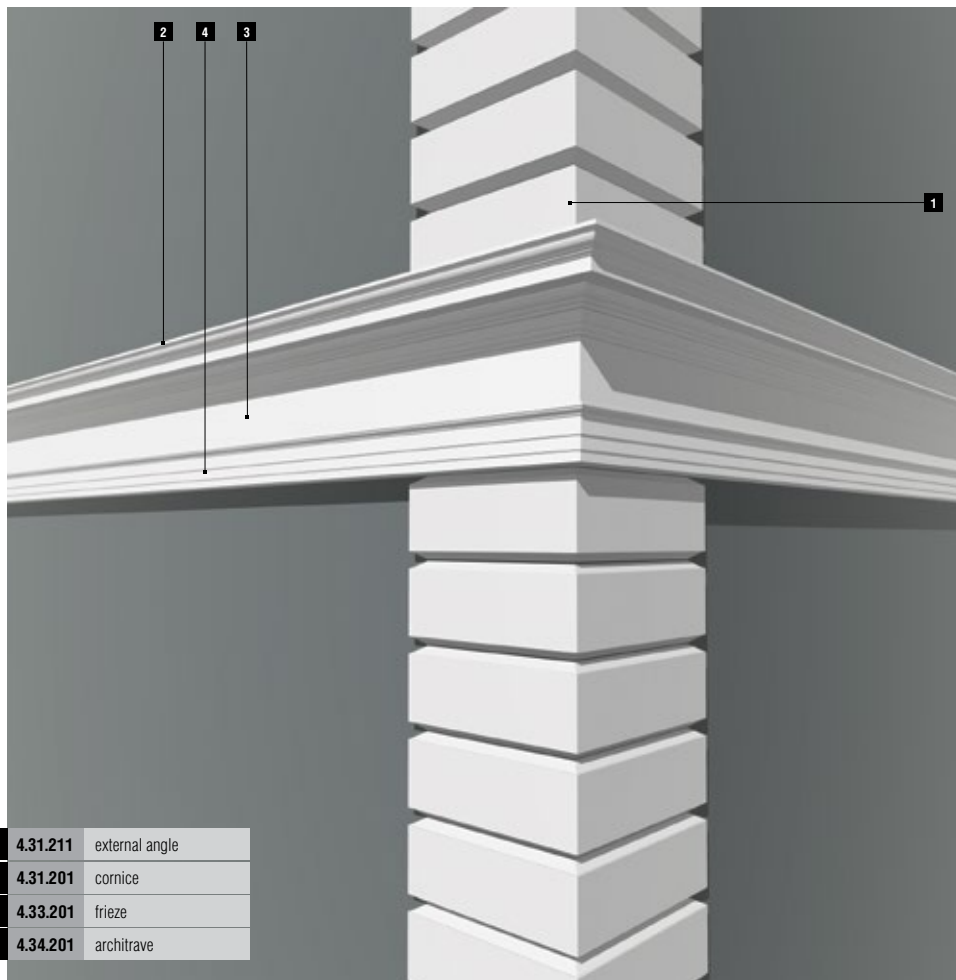
1 4.32.211 external angle

2 4.32.201 cornice

facade mouldings

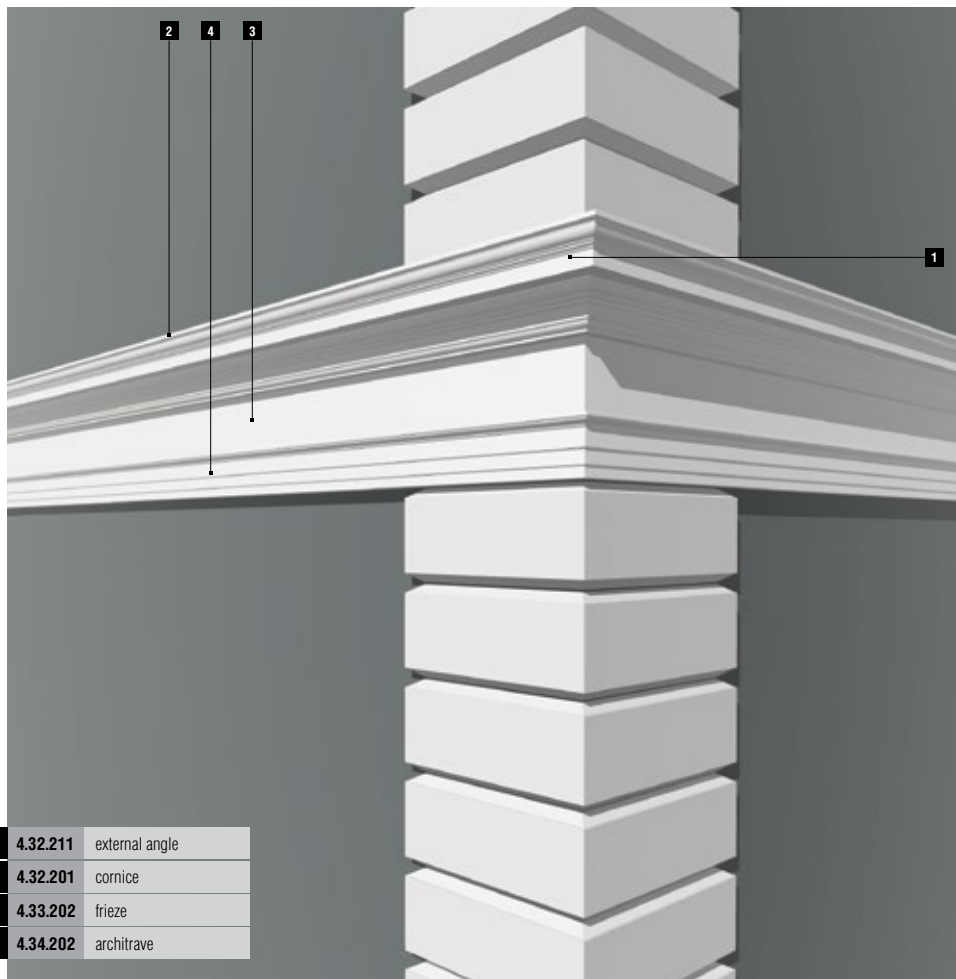


1	4.01.211	external angle
2	4.01.201	cornice
3	4.03.201	frieze
4	4.04.201	architrave

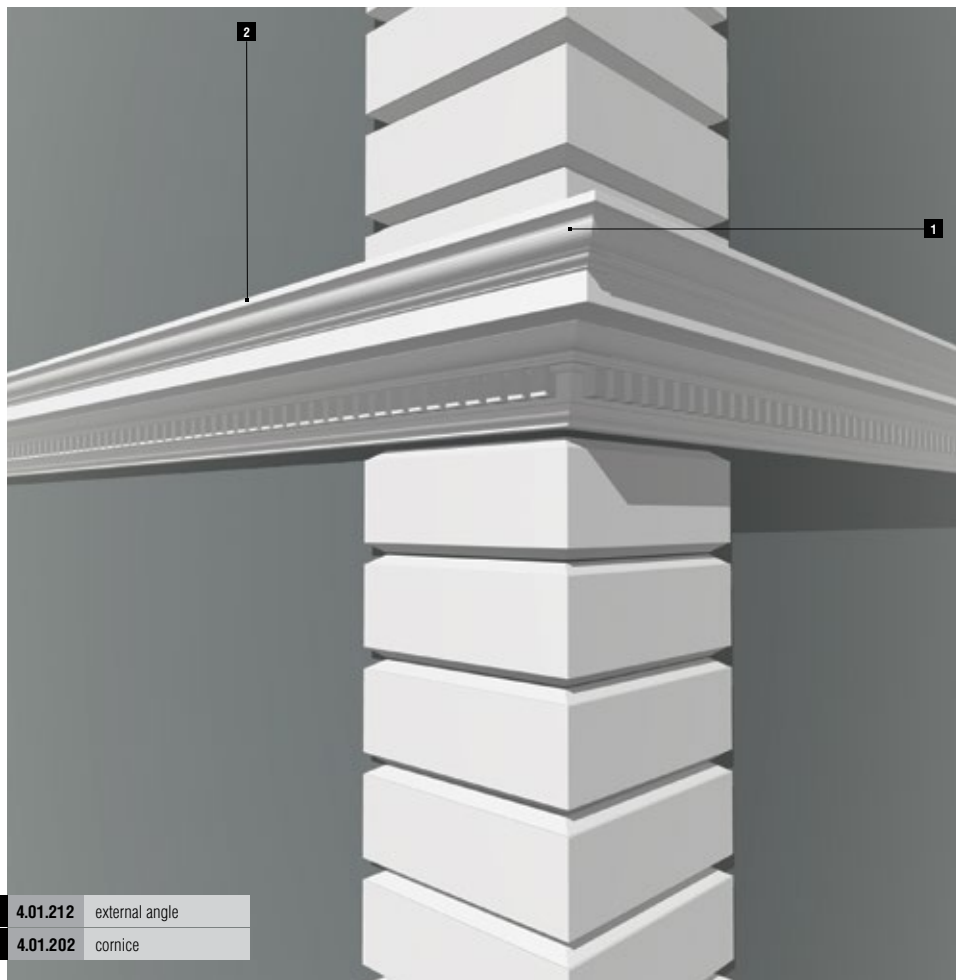


1	4.31.211	external angle
2	4.31.201	cornice
3	4.33.201	frieze
4	4.34.201	architrave

facade mouldings

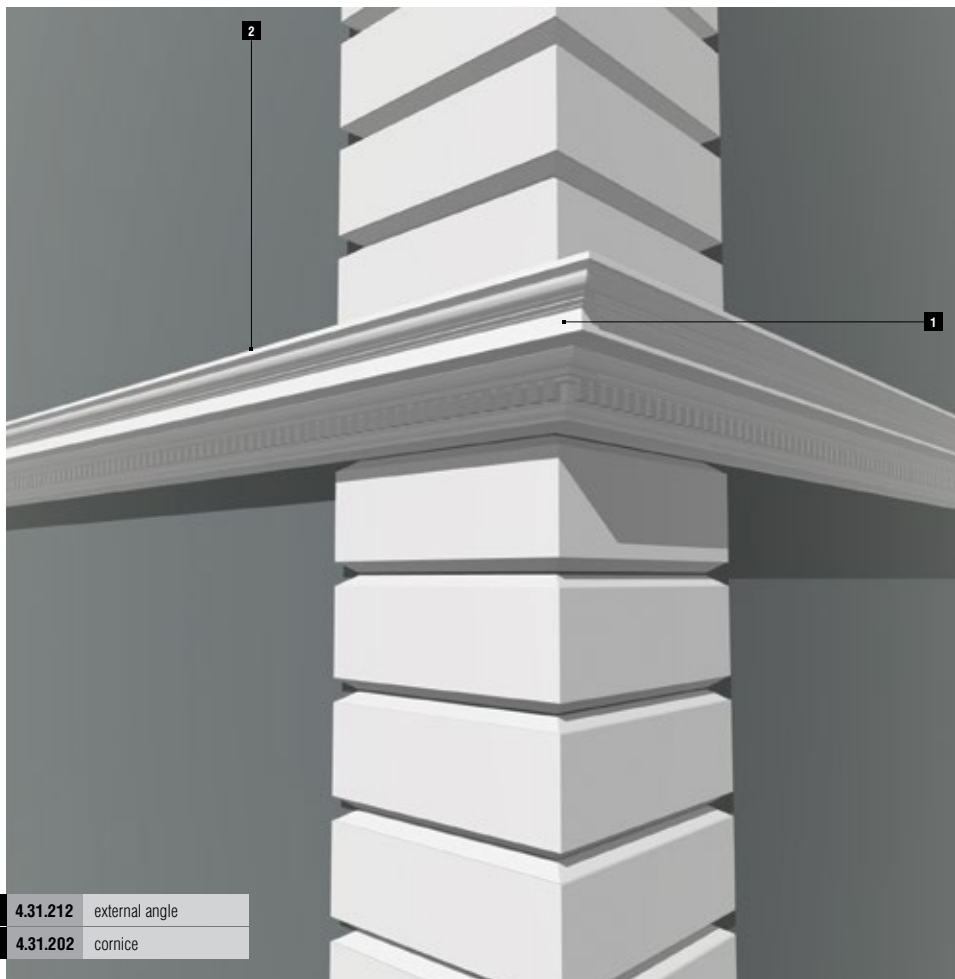


1	4.32.211	external angle
2	4.32.201	cornice
3	4.33.202	frieze
4	4.34.202	architrave



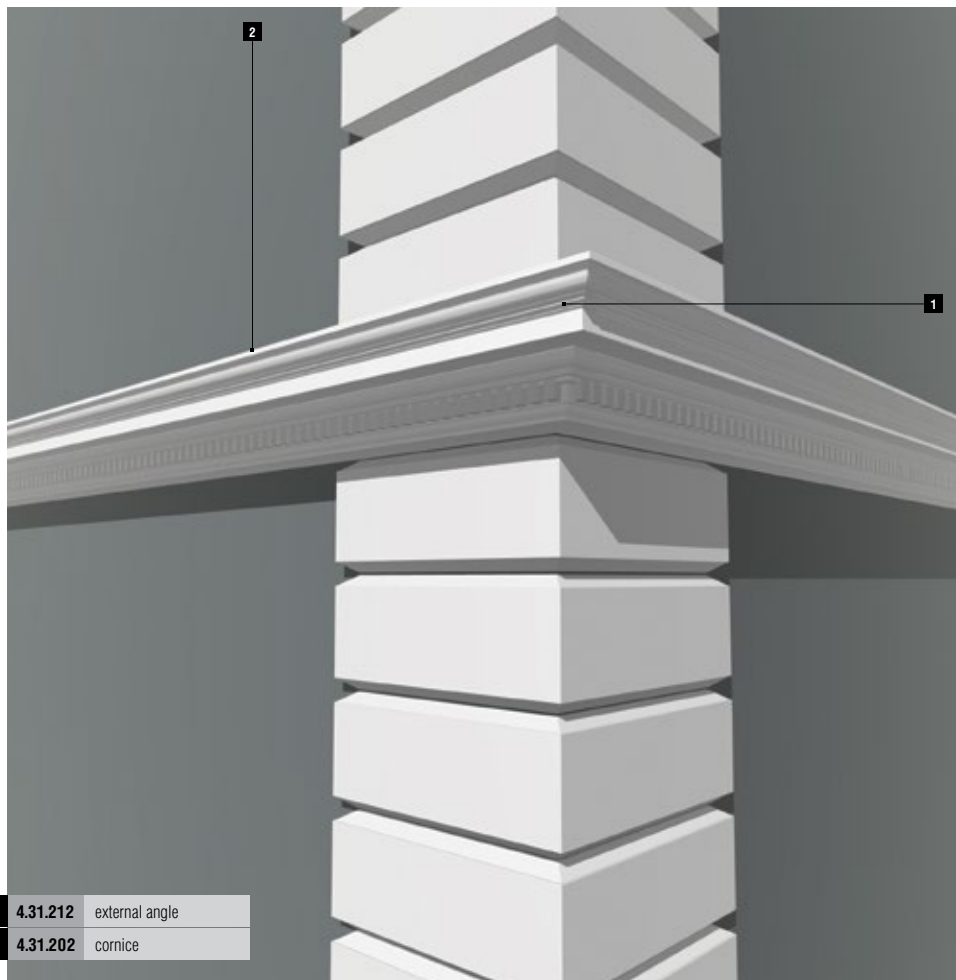
1	4.01.212	external angle
2	4.01.202	cornice

facade mouldings



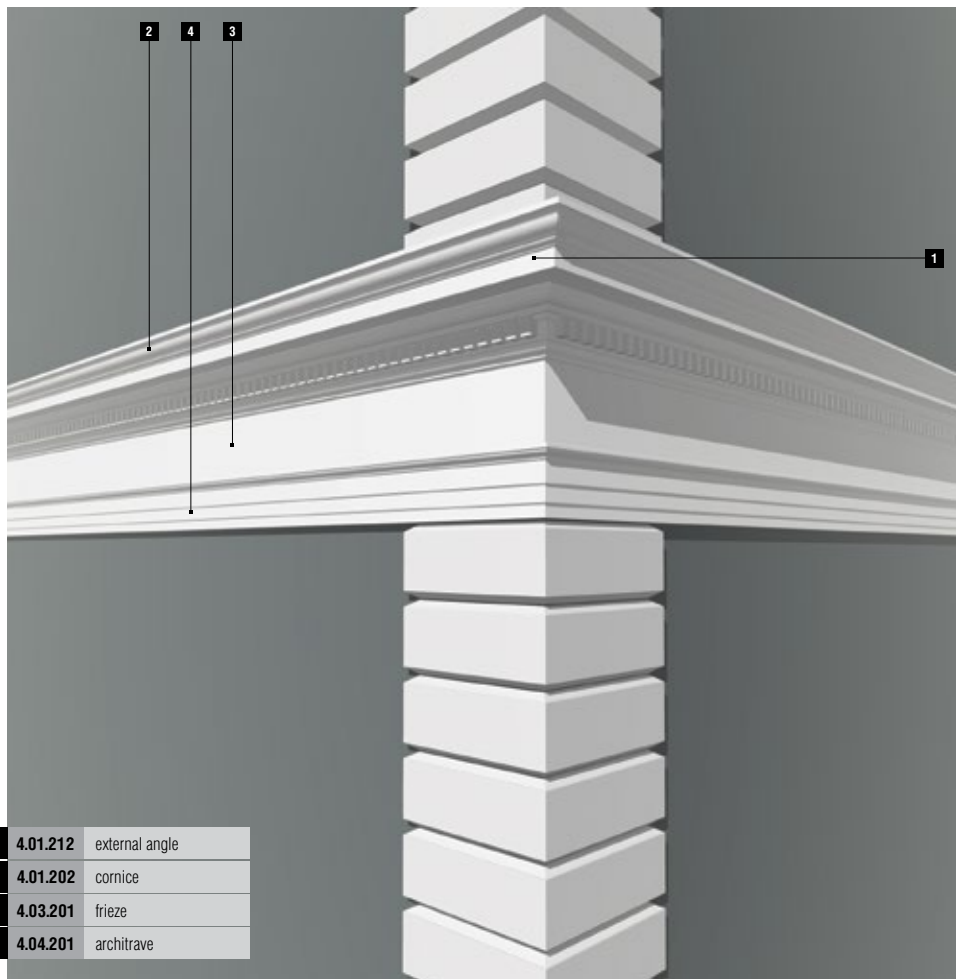
1 4.31.212 external angle

2 4.31.202 cornice



1	4.31.212	external angle
2	4.31.202	cornice

facade mouldings

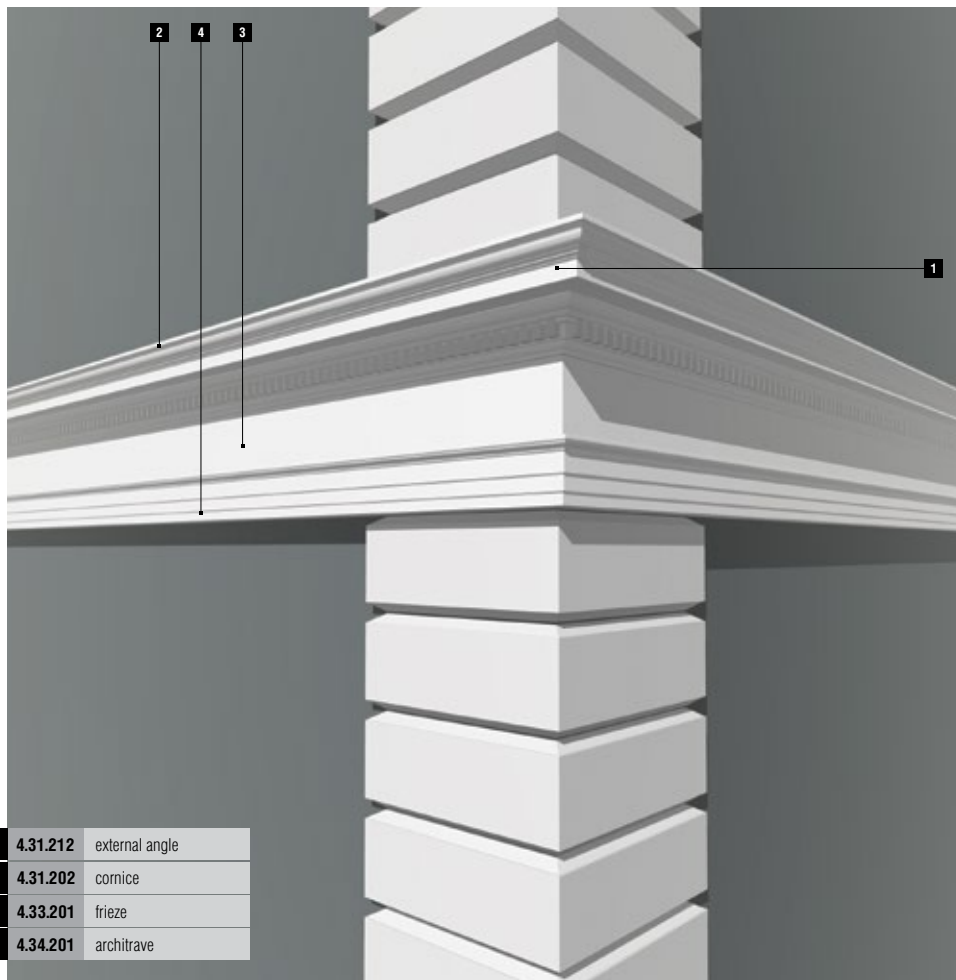


1 4.01.212 external angle

2 4.01.202 cornice

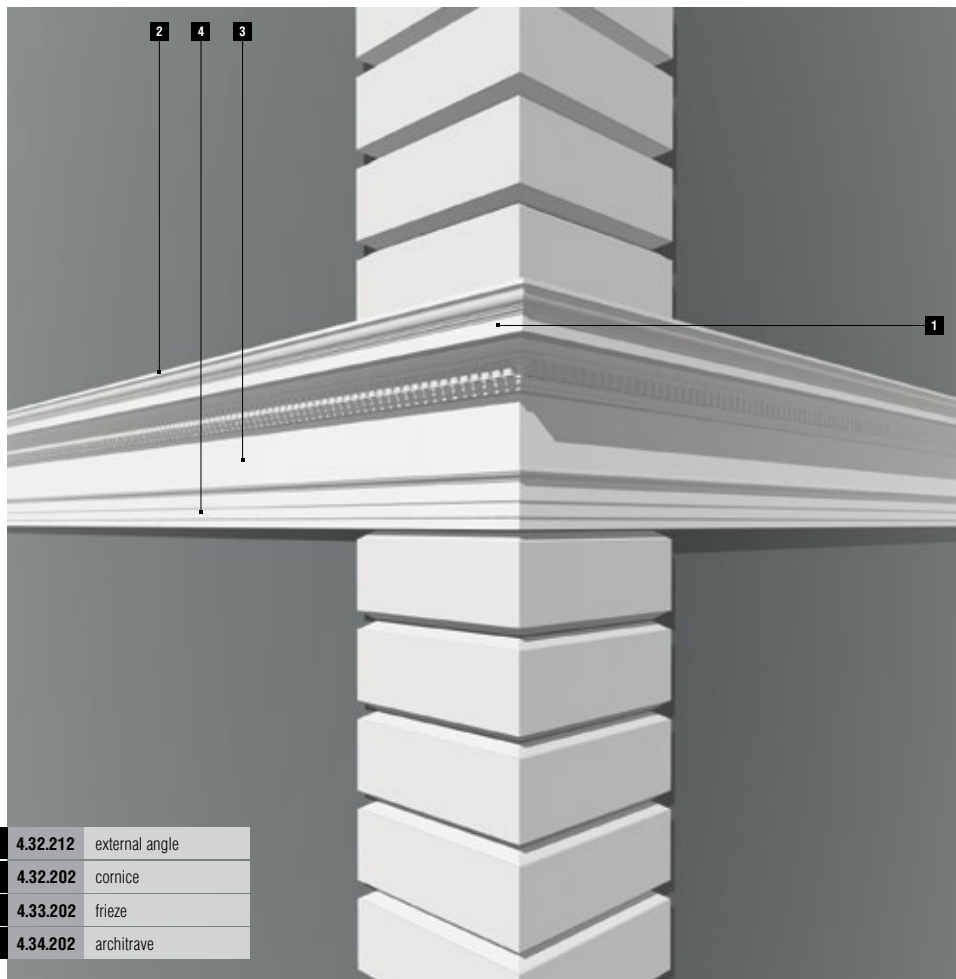
3 4.03.201 frieze

4 4.04.201 architrave

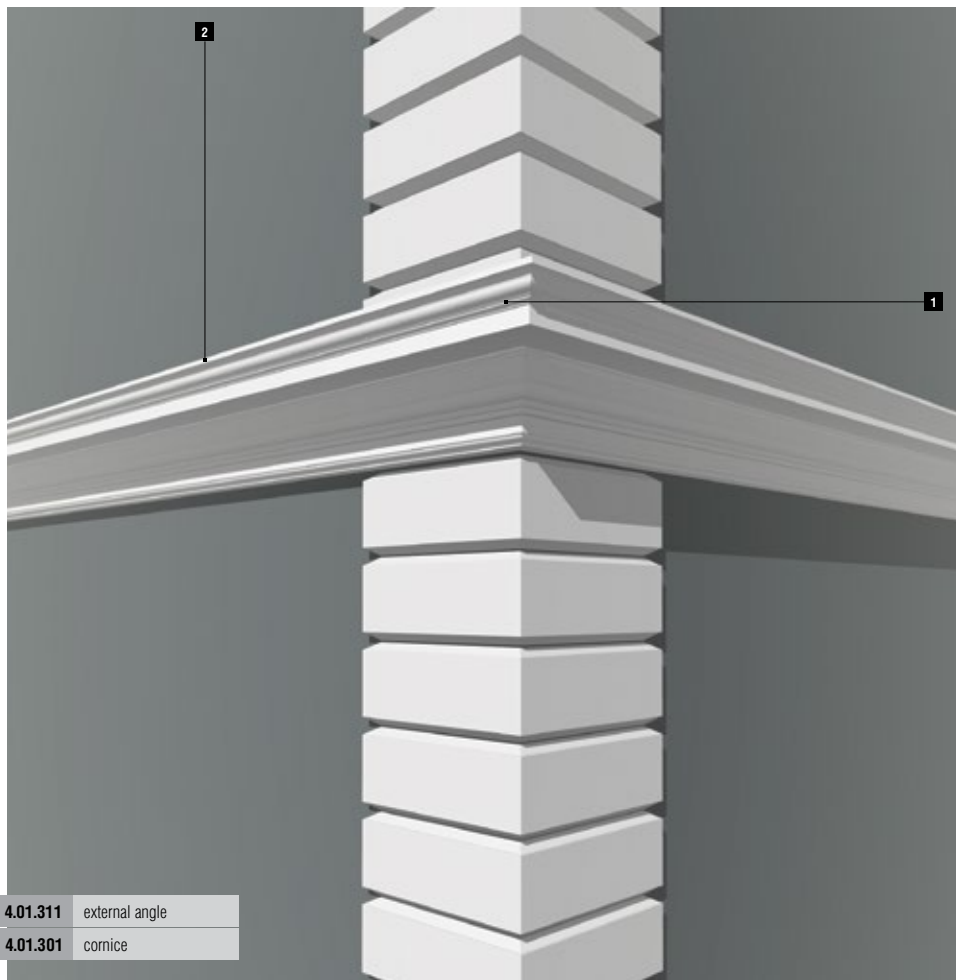


1	4.31.212	external angle
2	4.31.202	cornice
3	4.33.201	frieze
4	4.34.201	architrave

facade mouldings

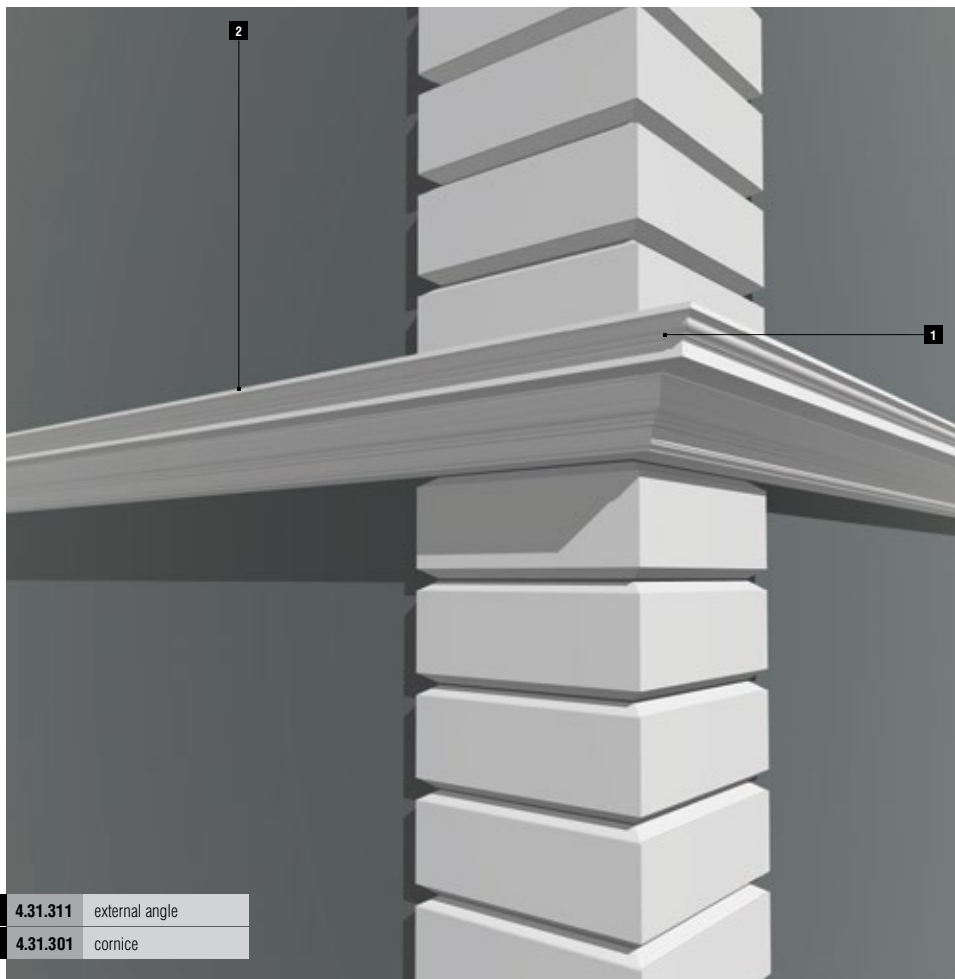


1	4.32.212	external angle
2	4.32.202	cornice
3	4.33.202	frieze
4	4.34.202	architrave



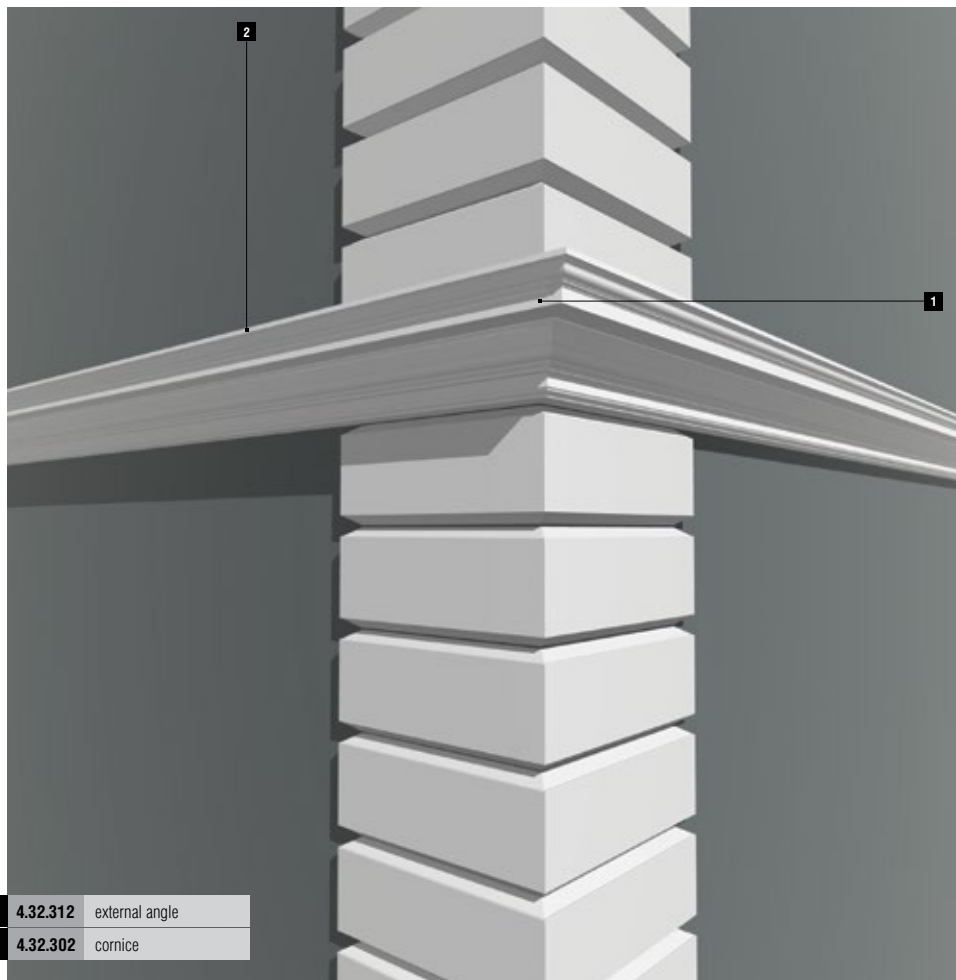
1	4.01.311	external angle
2	4.01.301	cornice

facade mouldings



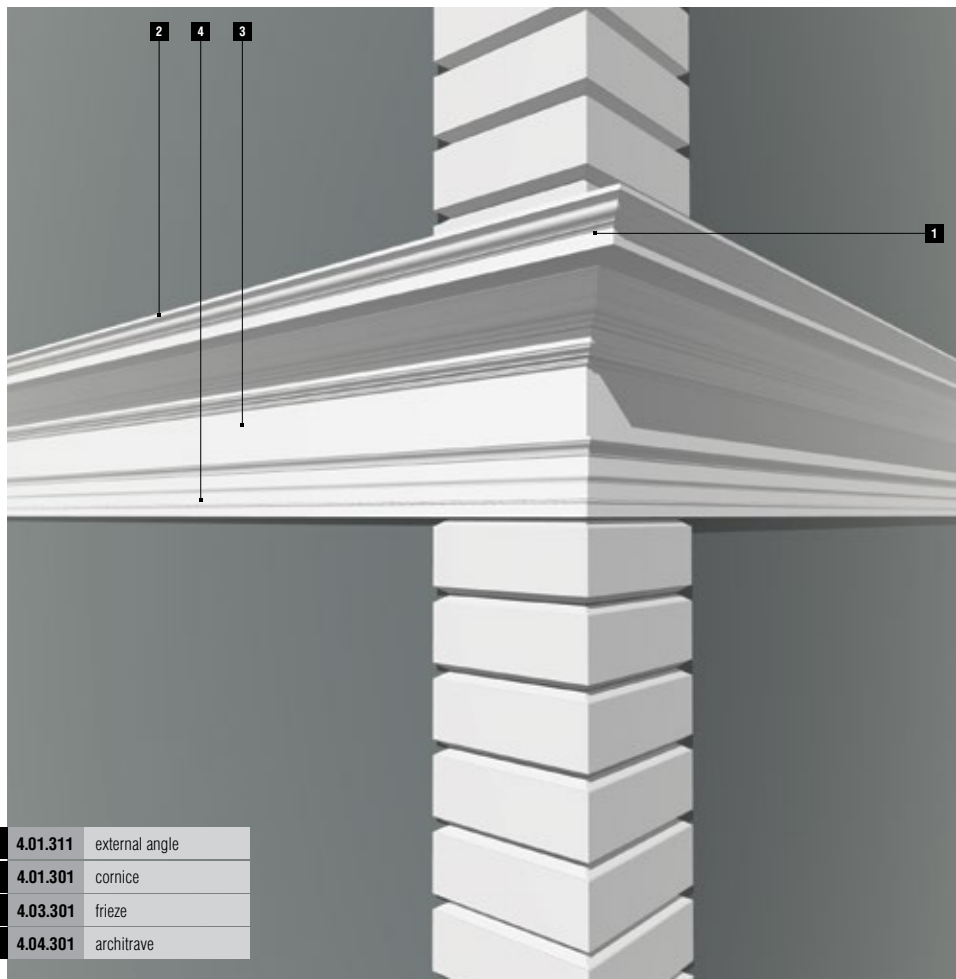
1 4.31.311 external angle

2 4.31.301 cornice

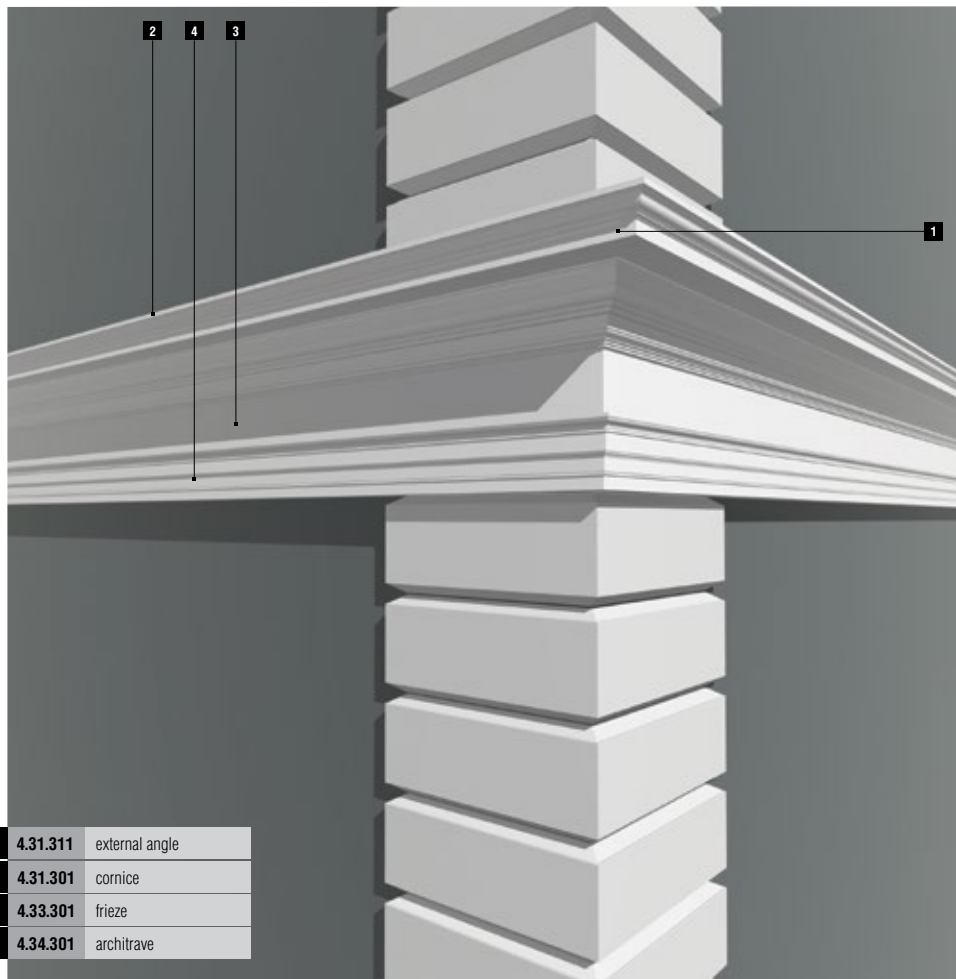


1	4.32.312	external angle
2	4.32.302	cornice

facade mouldings

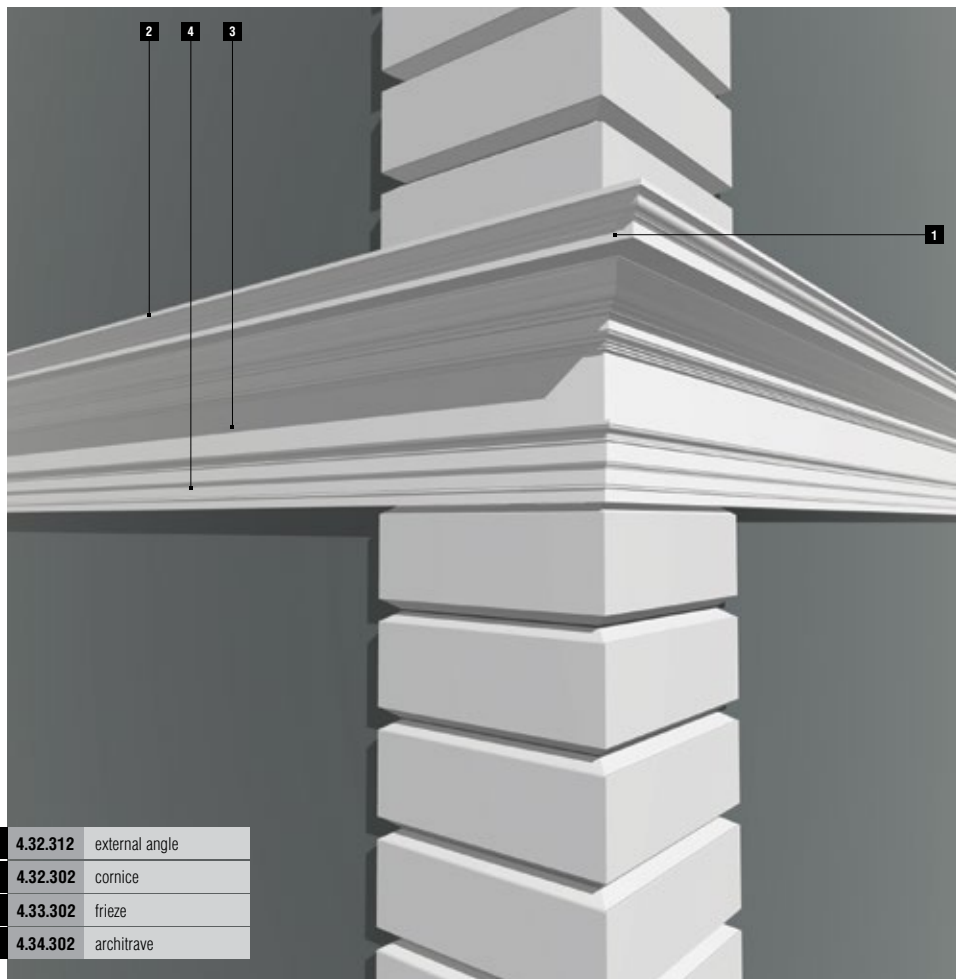


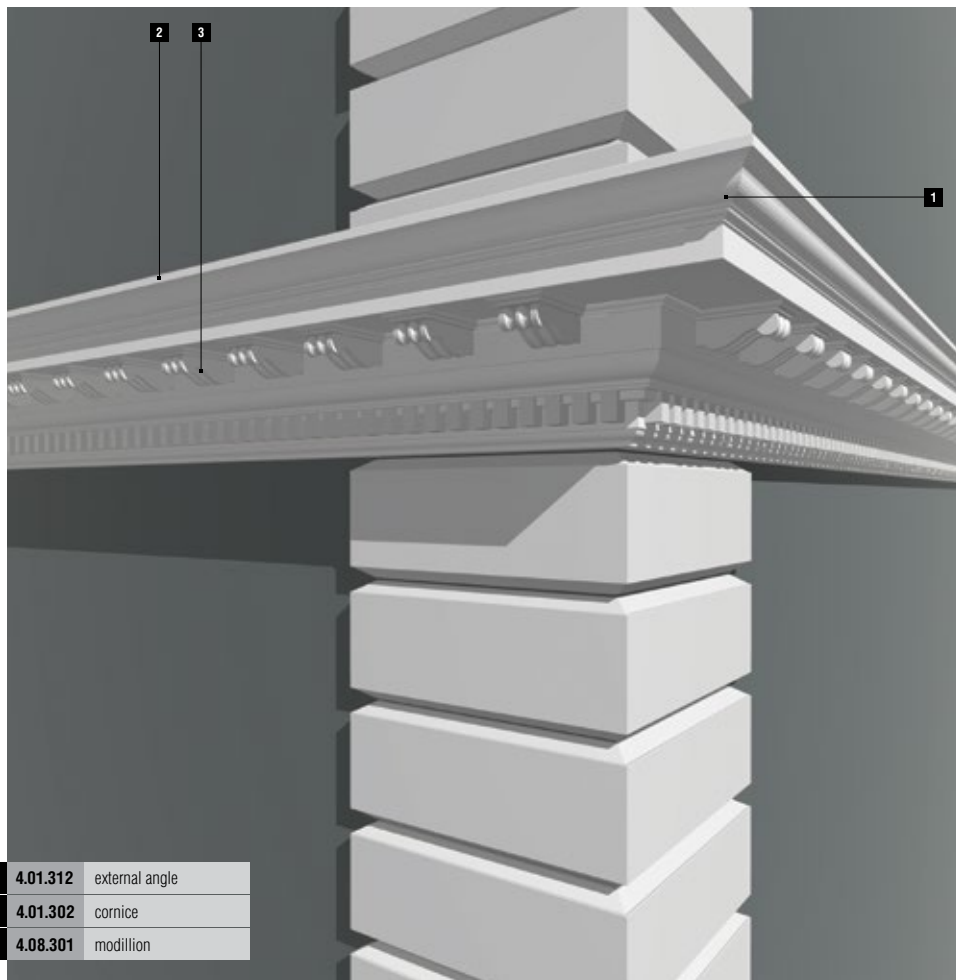
1	4.01.311	external angle
2	4.01.301	cornice
3	4.03.301	frieze
4	4.04.301	architrave



1	4.31.311	external angle
2	4.31.301	cornice
3	4.33.301	frieze
4	4.34.301	architrave

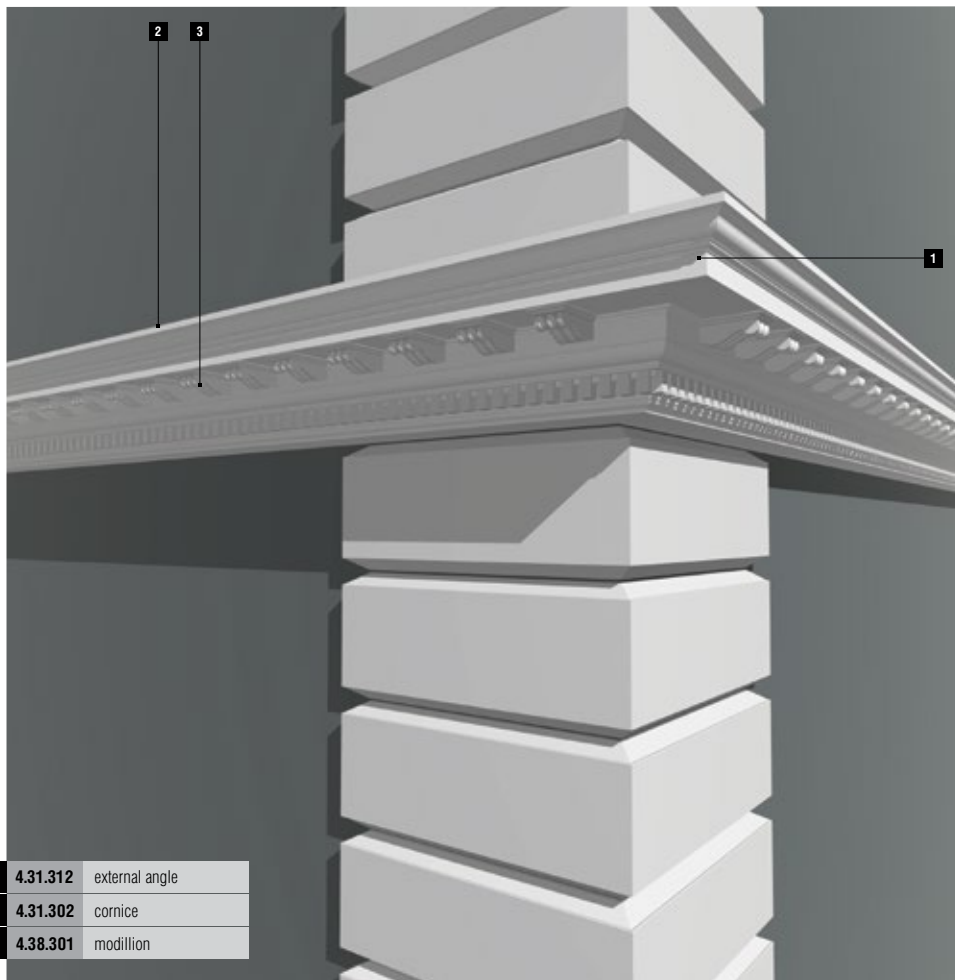
facade mouldings





1	4.01.312	external angle
2	4.01.302	cornice
3	4.08.301	modillion

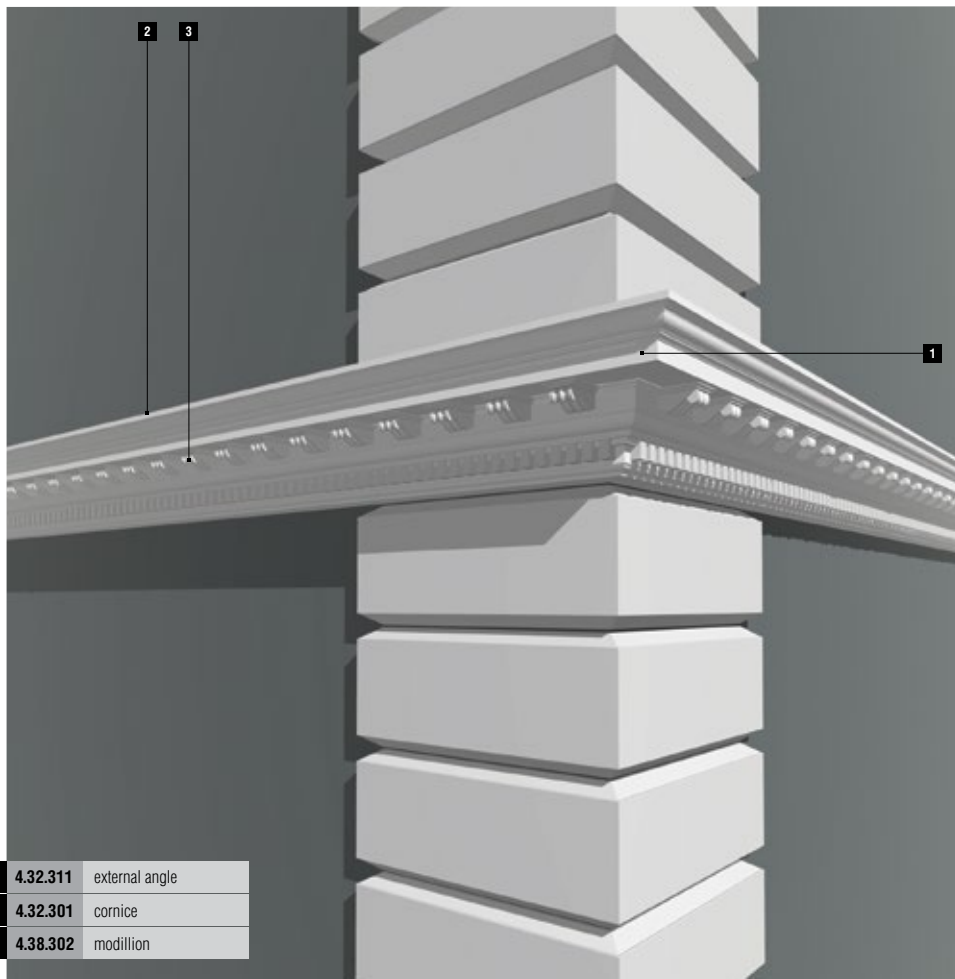
facade mouldings



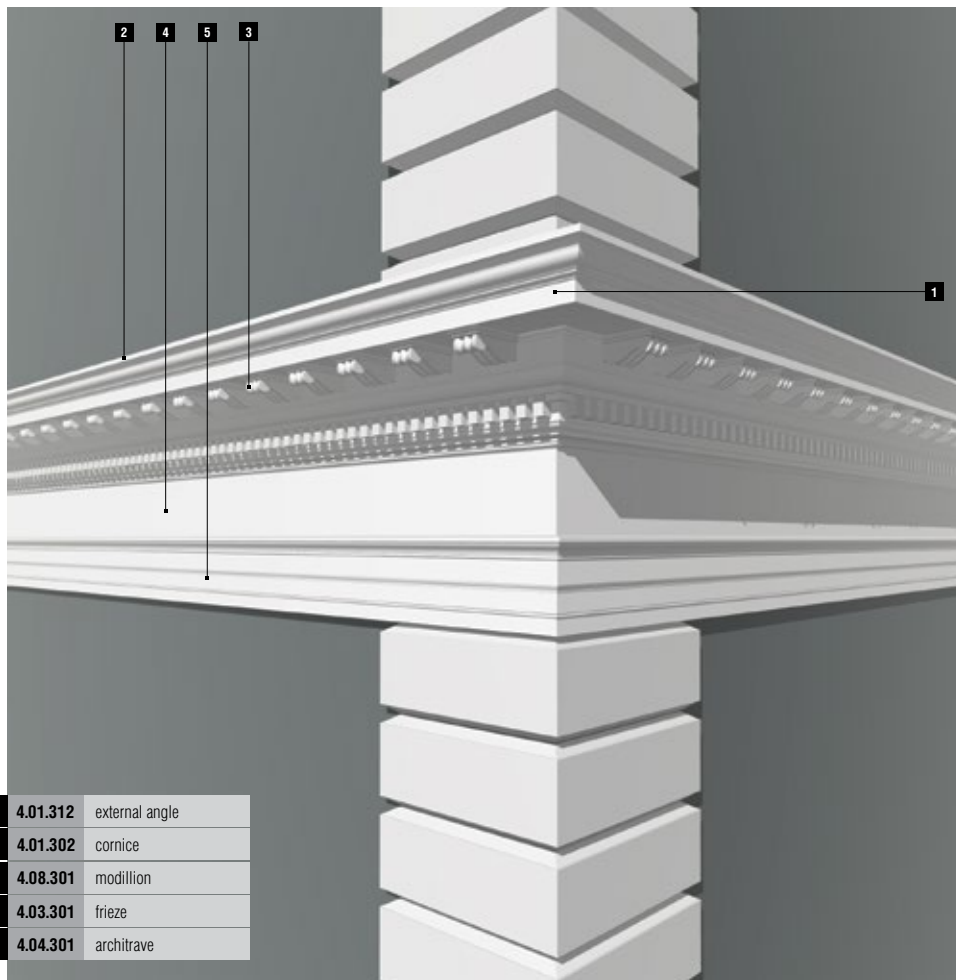
1 4.31.312 external angle

2 4.31.302 cornice

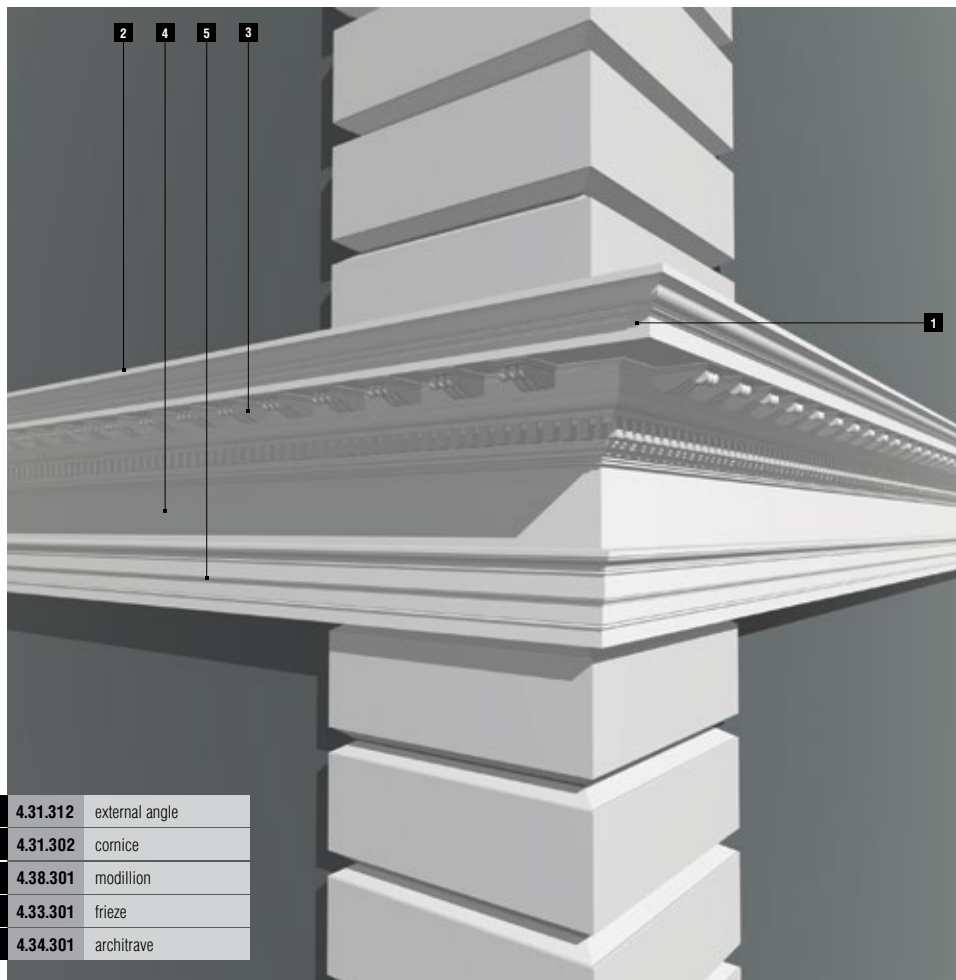
3 4.38.301 modillion



facade mouldings

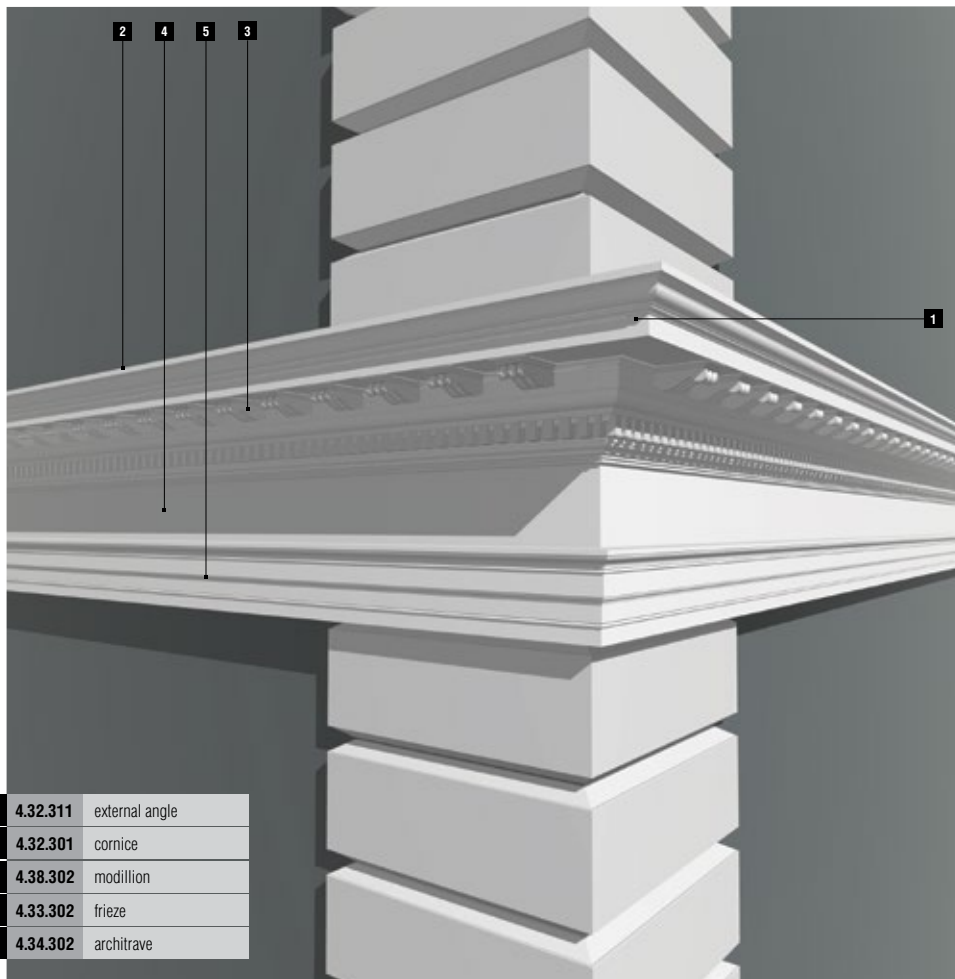


1	4.01.312	external angle
2	4.01.302	cornice
3	4.08.301	modillion
4	4.03.301	frieze
5	4.04.301	architrave

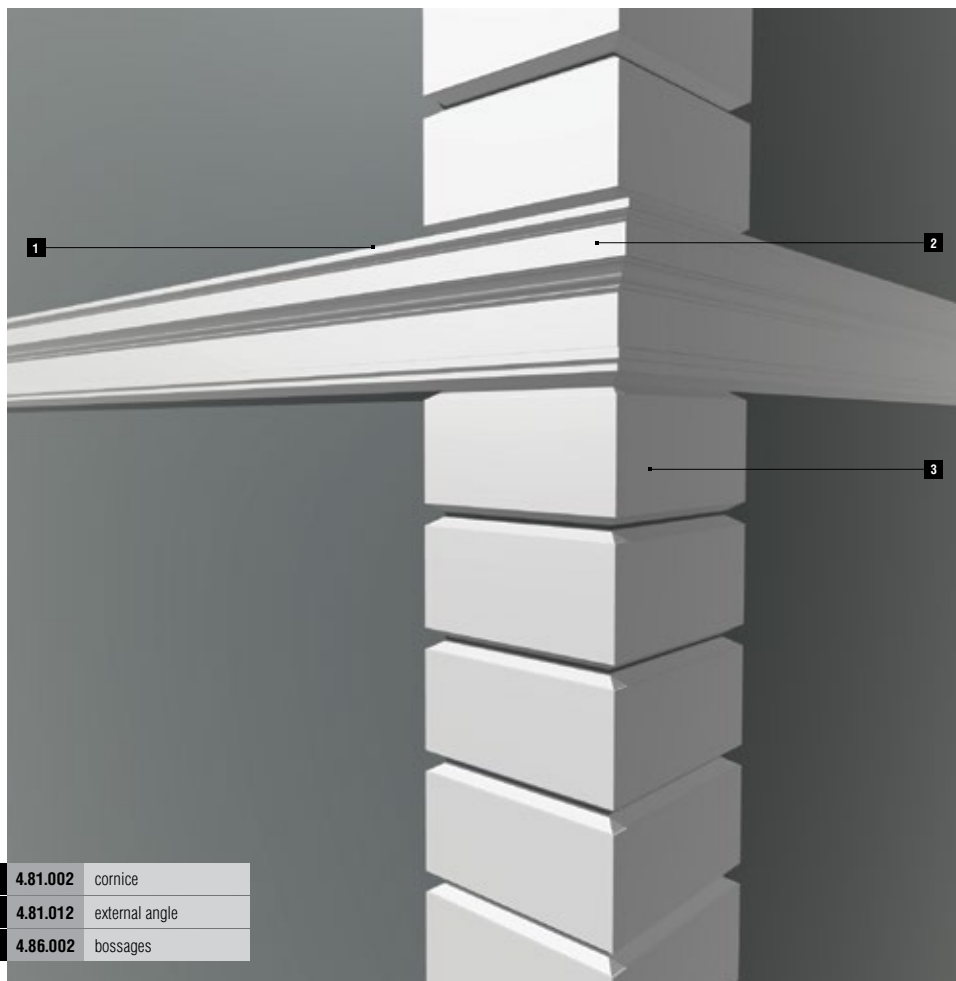


1	4.31.312	external angle
2	4.31.302	cornice
3	4.38.301	modillion
4	4.33.301	frieze
5	4.34.301	architrave

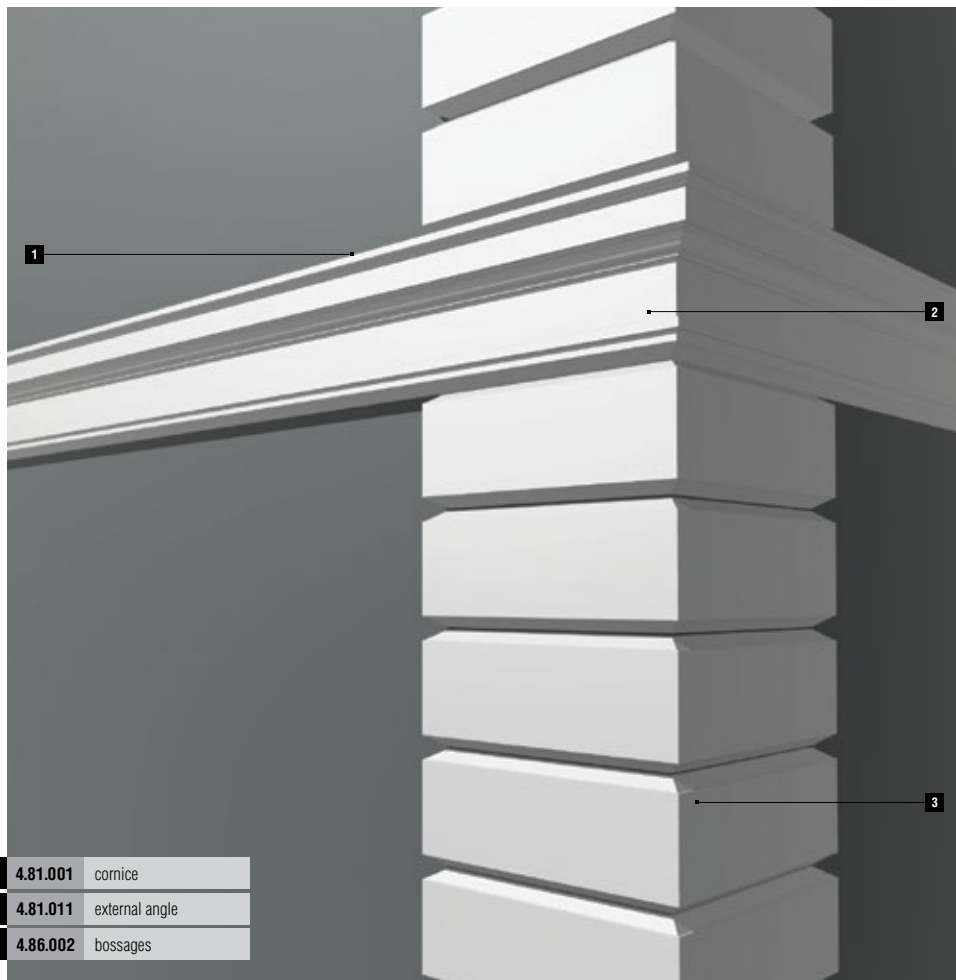
facade mouldings



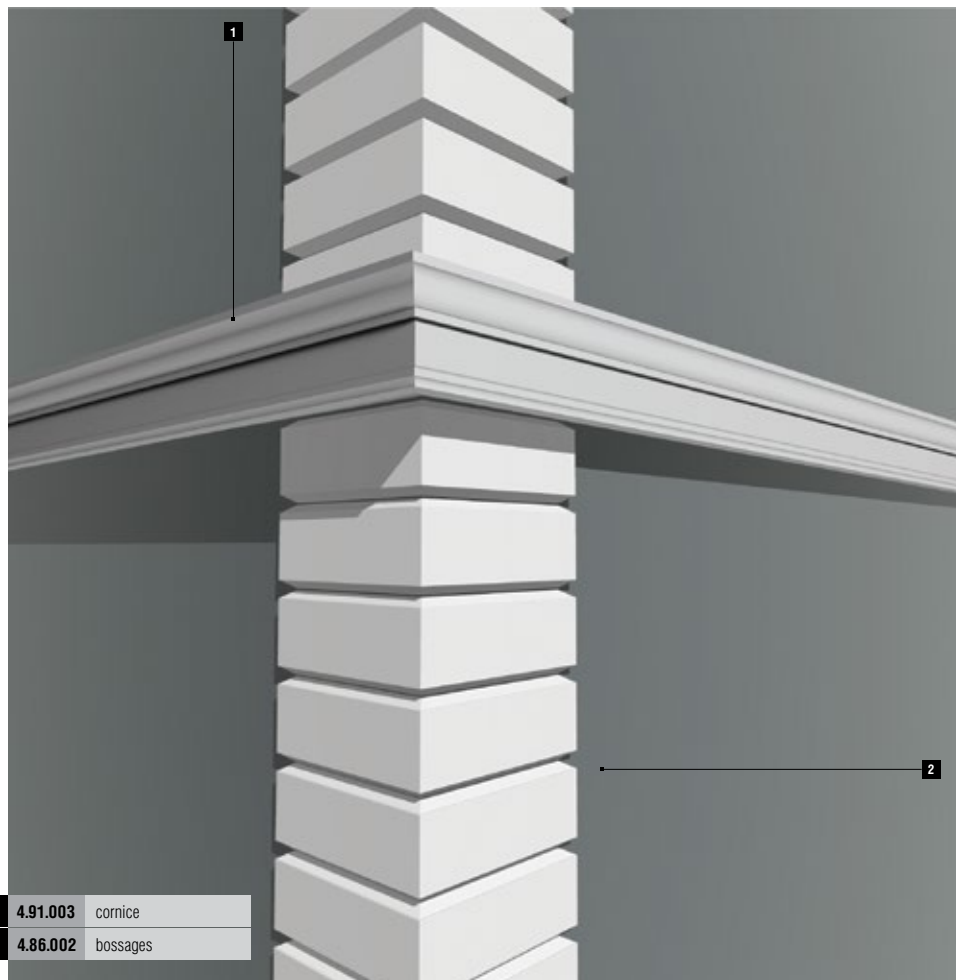
1	4.32.311	external angle
2	4.32.301	cornice
3	4.38.302	modillion
4	4.33.302	frieze
5	4.34.302	architrave



facade mouldings

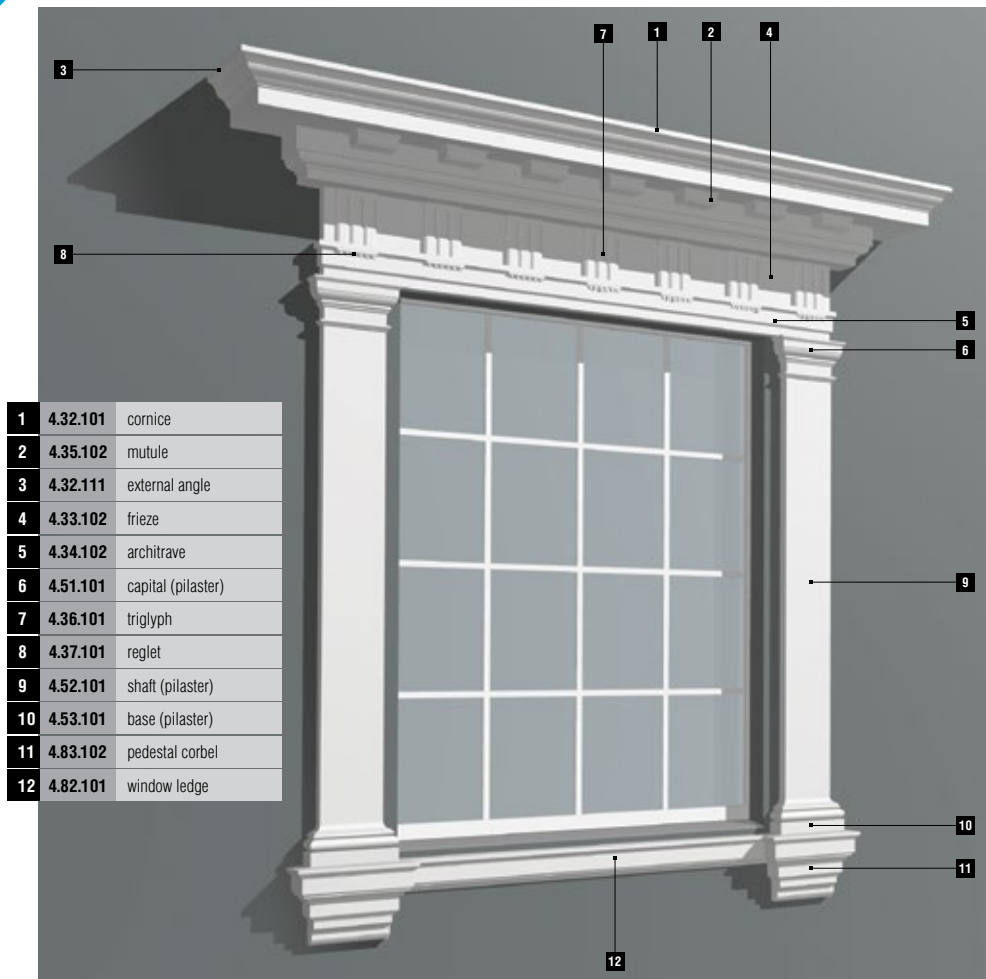


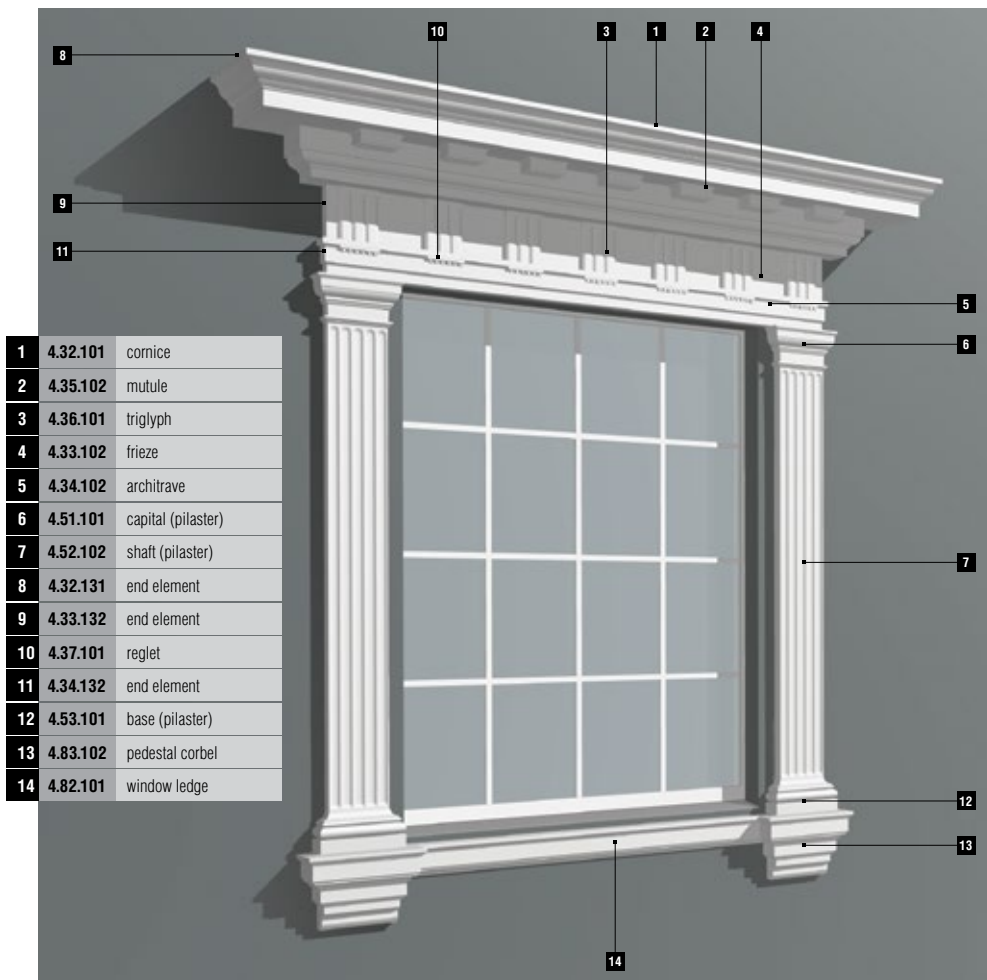
1	4.81.001	cornice
2	4.81.011	external angle
3	4.86.002	bossages



1	4.91.003	cornice
2	4.86.002	bossages

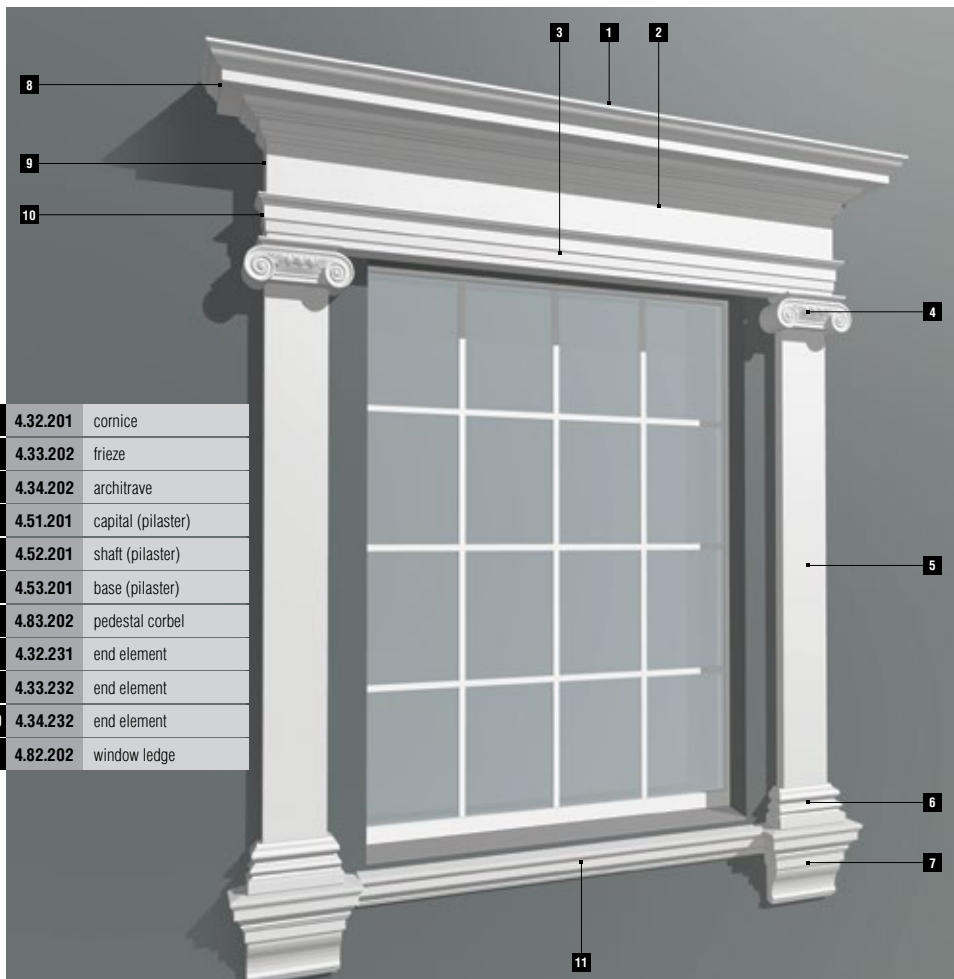
windows with pilasters

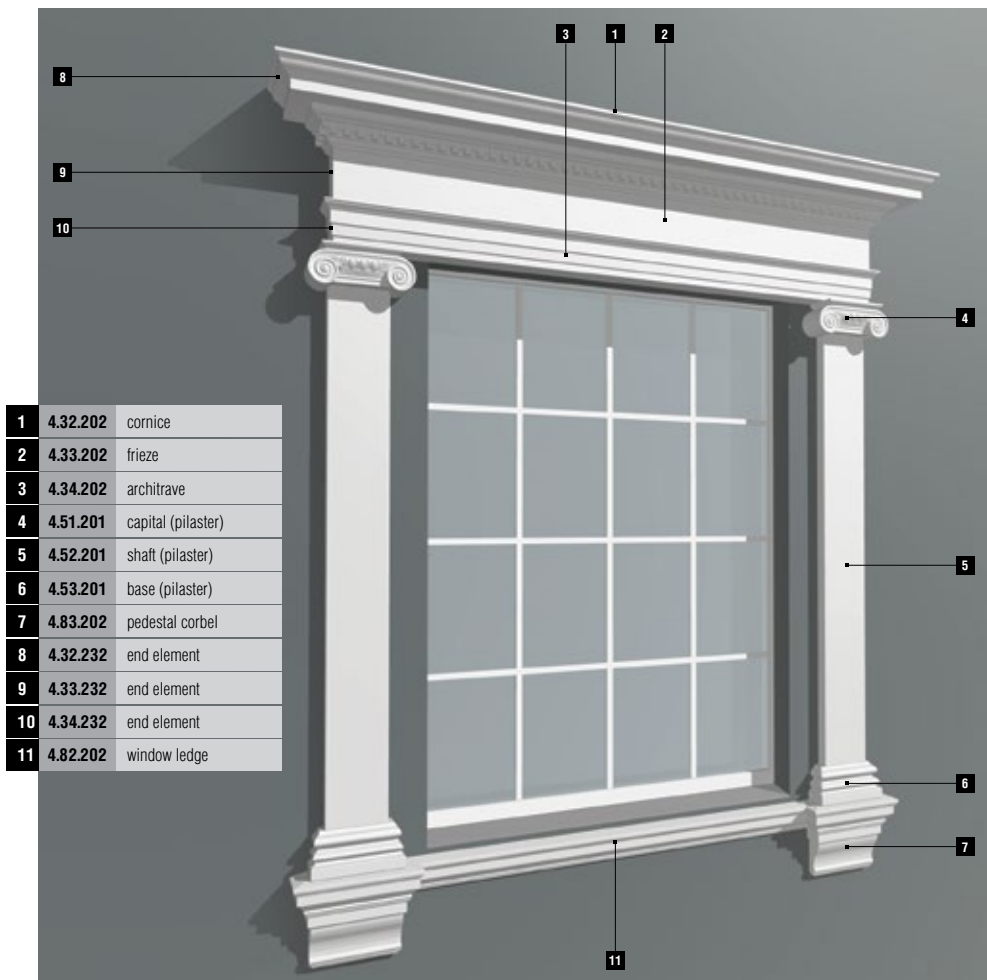




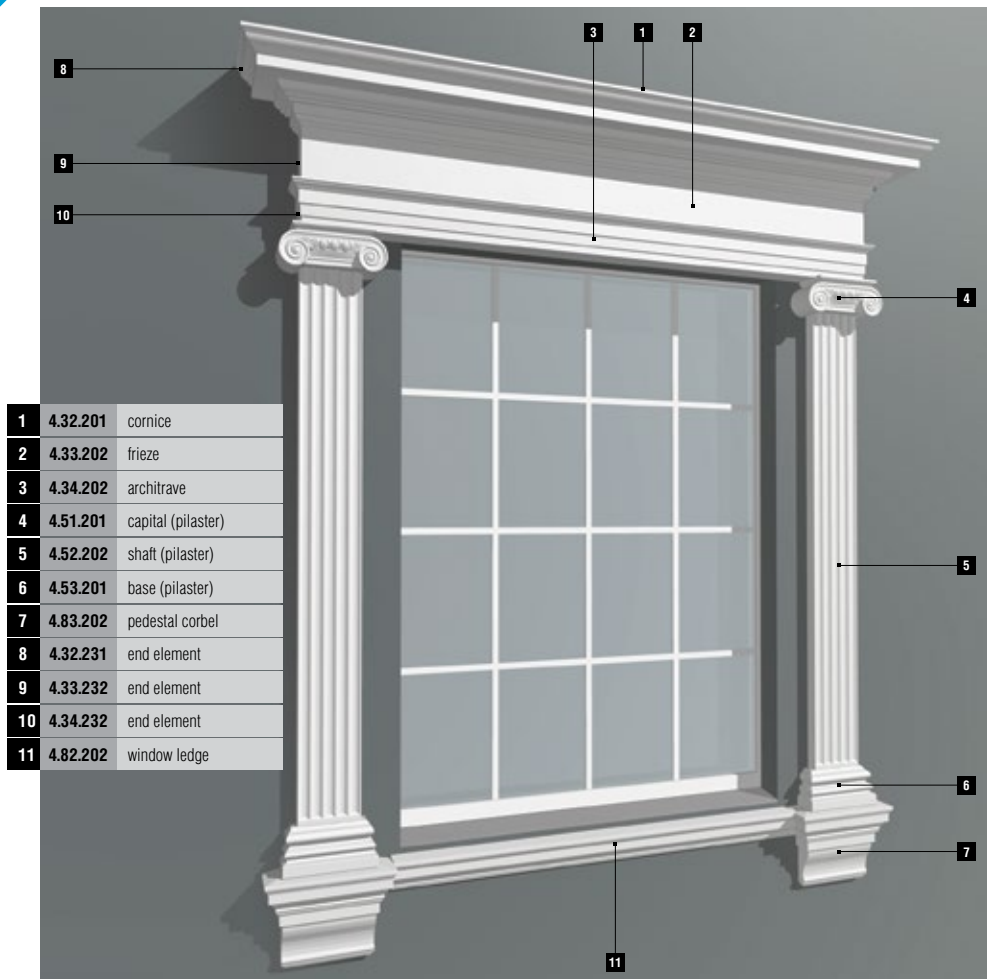
windows with pilasters

1	4.32.201	cornice
2	4.33.202	frieze
3	4.34.202	architrave
4	4.51.201	capital (pilaster)
5	4.52.201	shaft (pilaster)
6	4.53.201	base (pilaster)
7	4.83.202	pedestal corbel
8	4.32.231	end element
9	4.33.232	end element
10	4.34.232	end element
11	4.82.202	window ledge

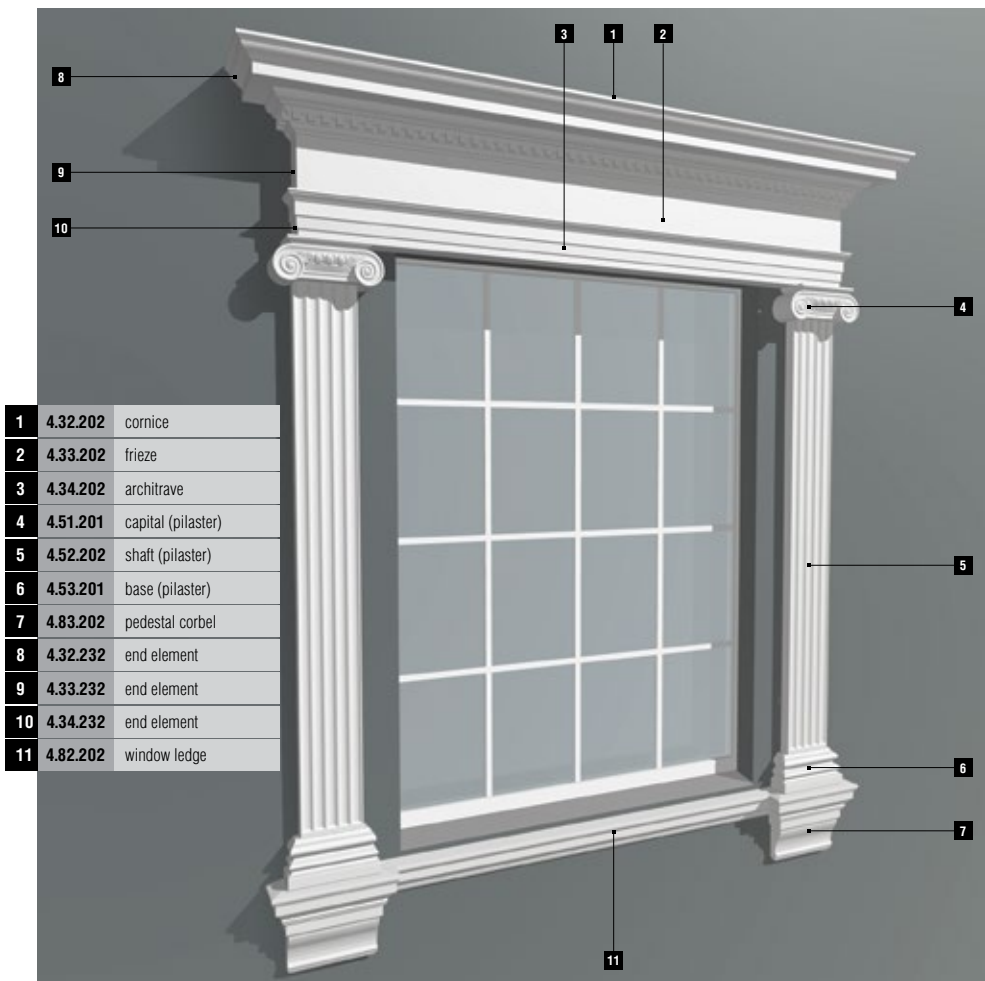




windows with pilasters

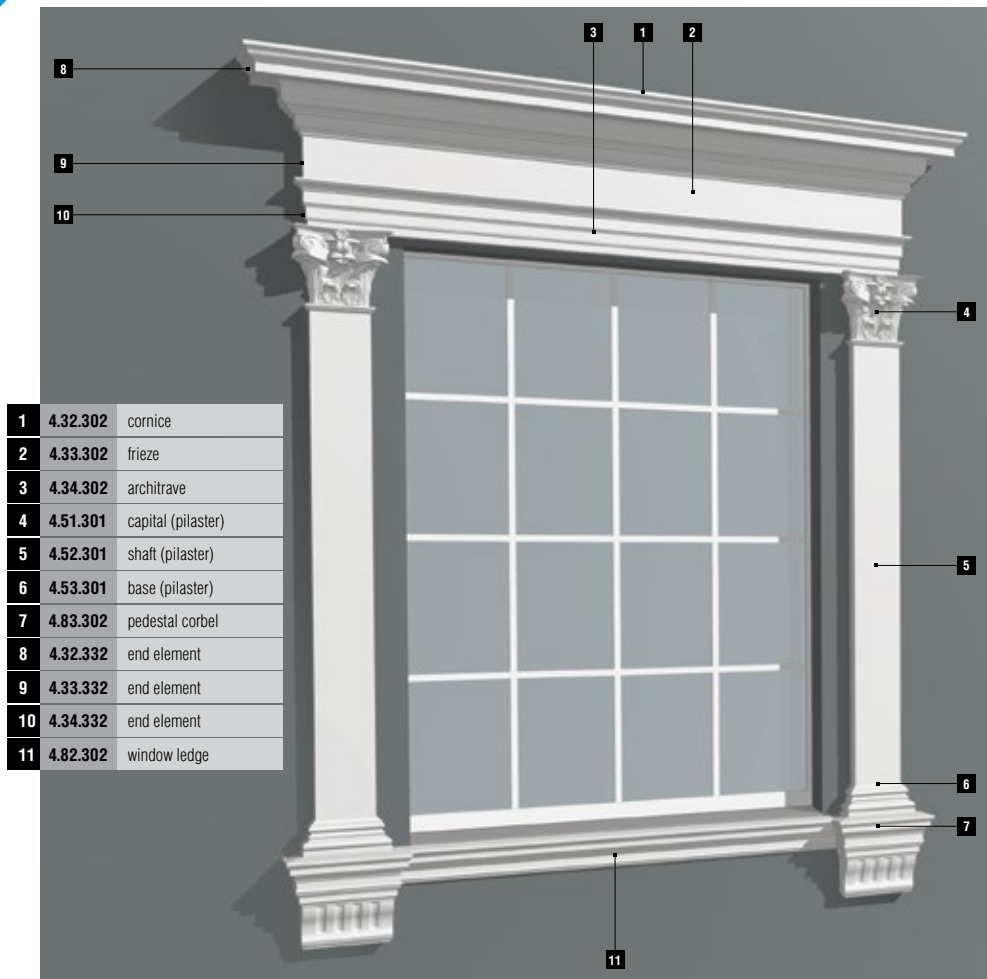


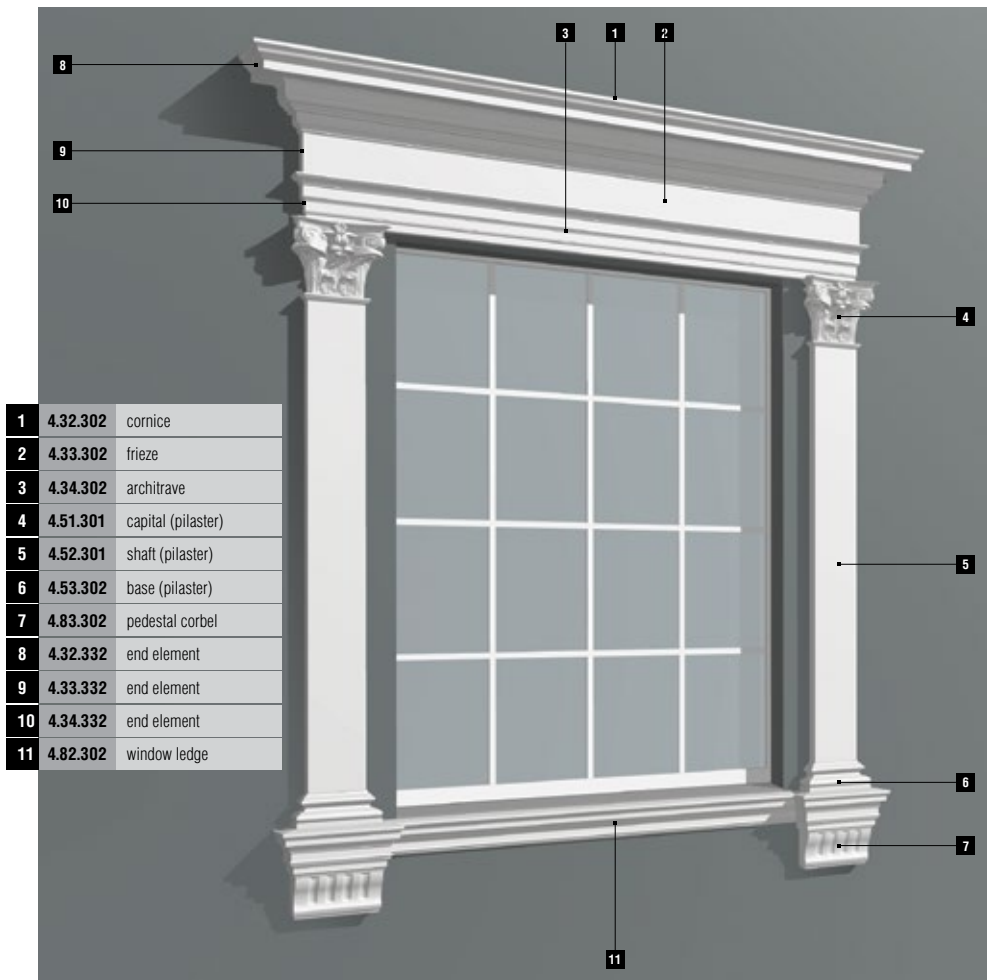
1	4.32.201	cornice
2	4.33.202	frieze
3	4.34.202	architrave
4	4.51.201	capital (pilaster)
5	4.52.202	shaft (pilaster)
6	4.53.201	base (pilaster)
7	4.83.202	pedestal corbel
8	4.32.231	end element
9	4.33.232	end element
10	4.34.232	end element
11	4.82.202	window ledge



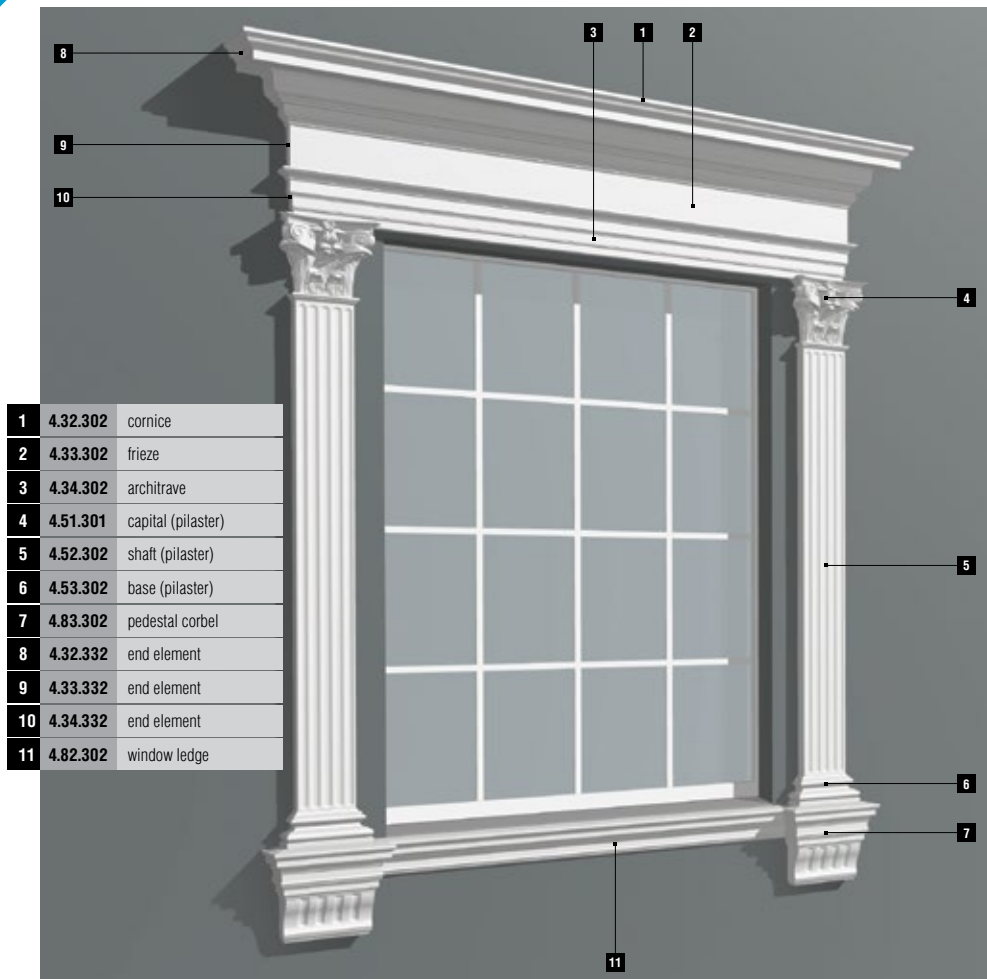
1	4.32.202	cornice
2	4.33.202	frieze
3	4.34.202	architrave
4	4.51.201	capital (pilaster)
5	4.52.202	shaft (pilaster)
6	4.53.201	base (pilaster)
7	4.83.202	pedestal corbel
8	4.32.232	end element
9	4.33.232	end element
10	4.34.232	end element
11	4.82.202	window ledge

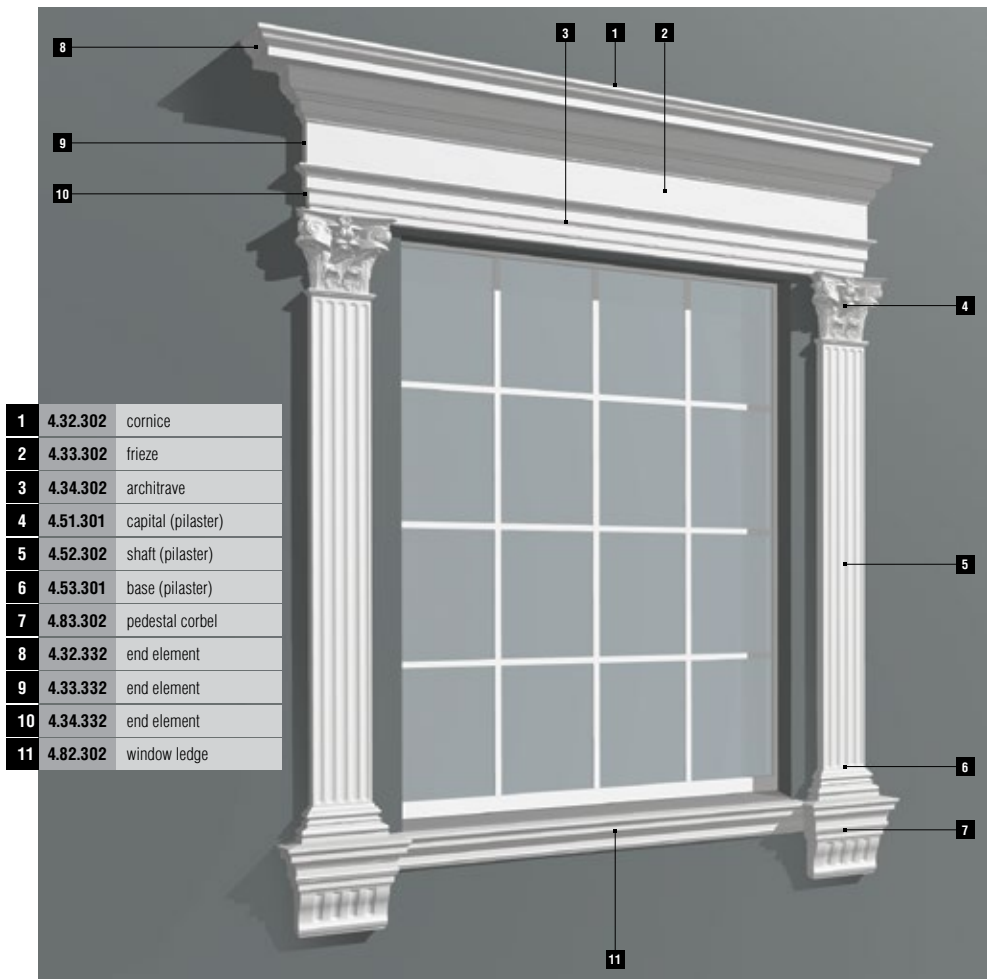
windows with pilasters



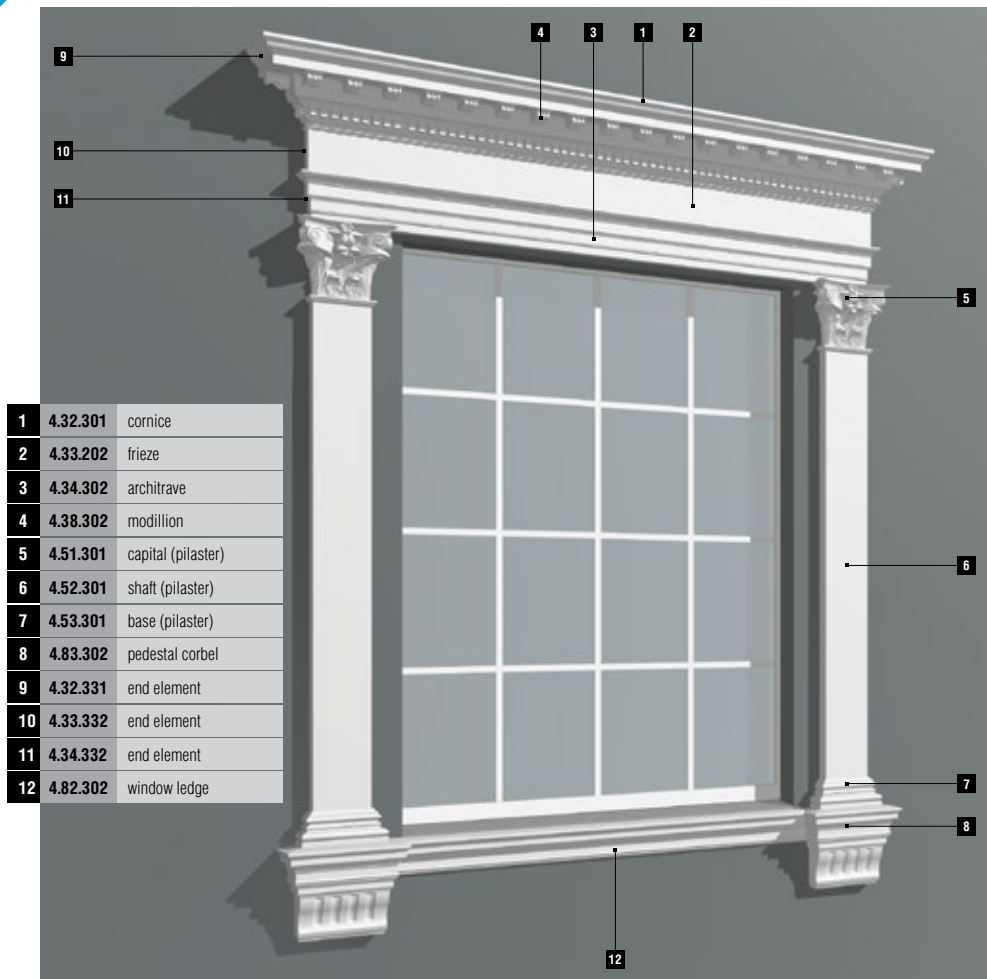


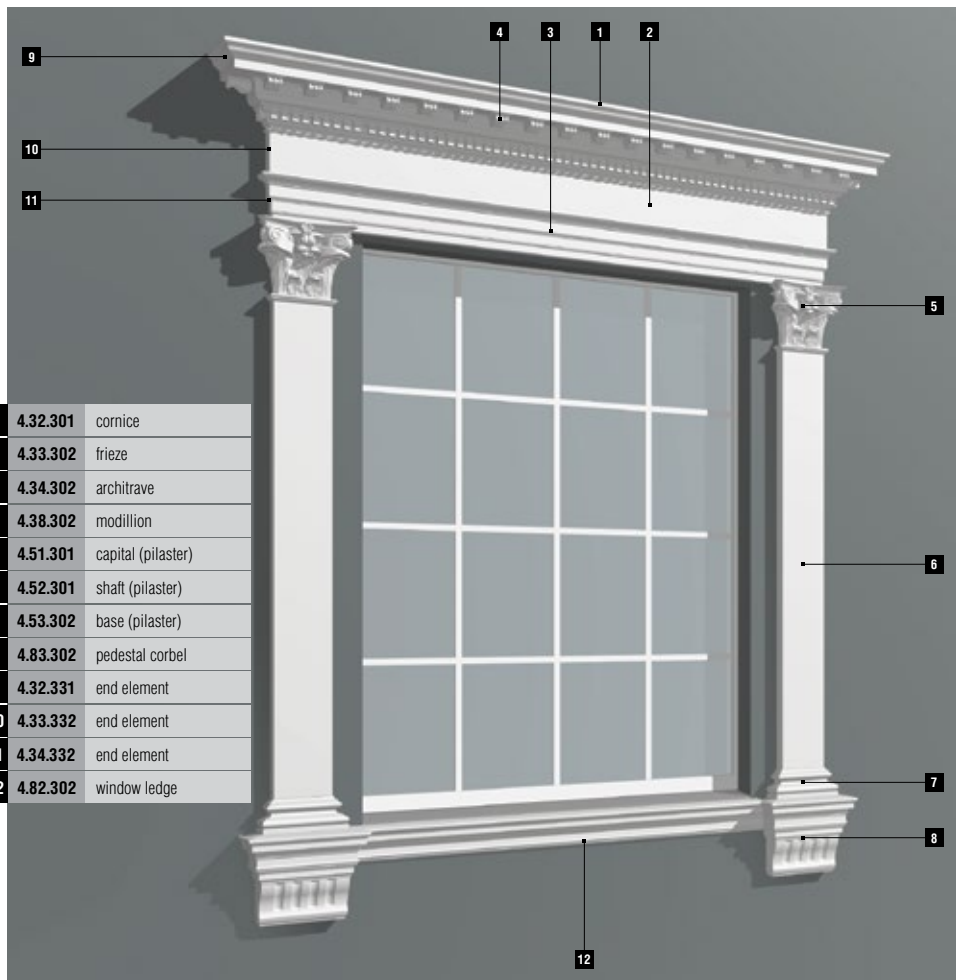
windows with pilasters





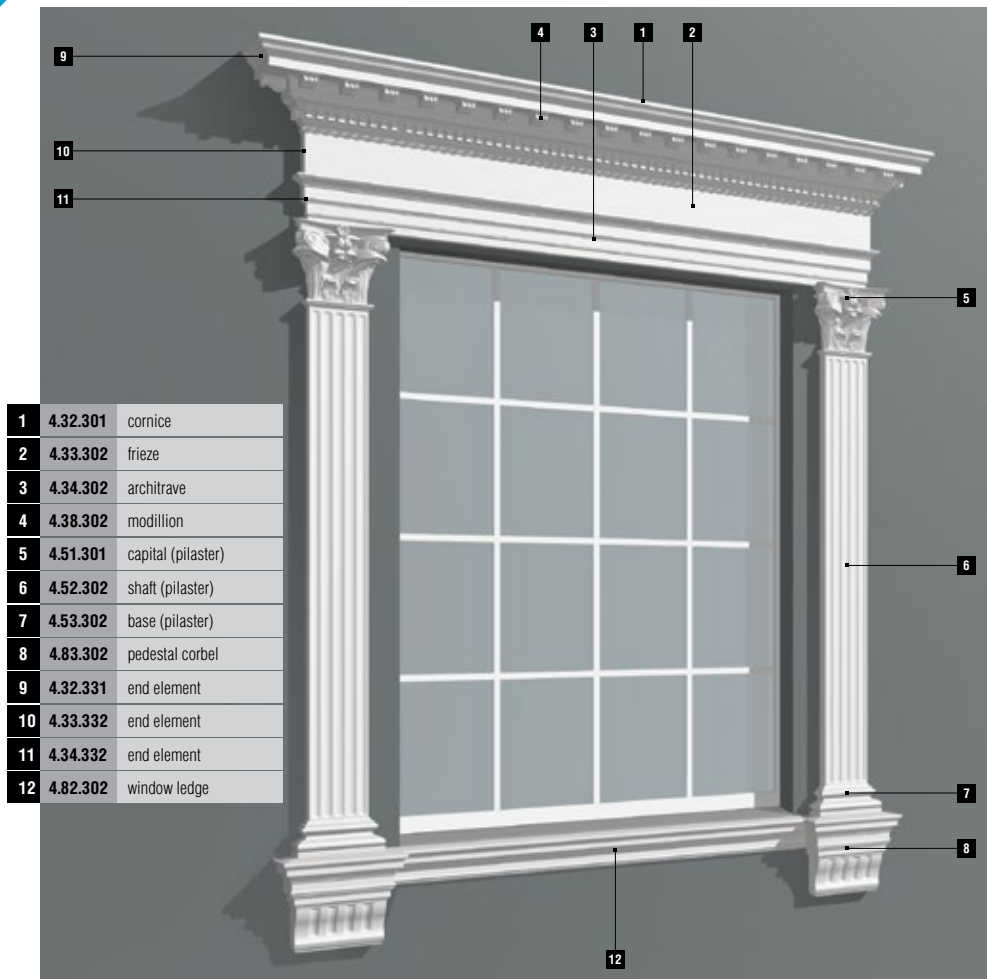
windows with pilasters

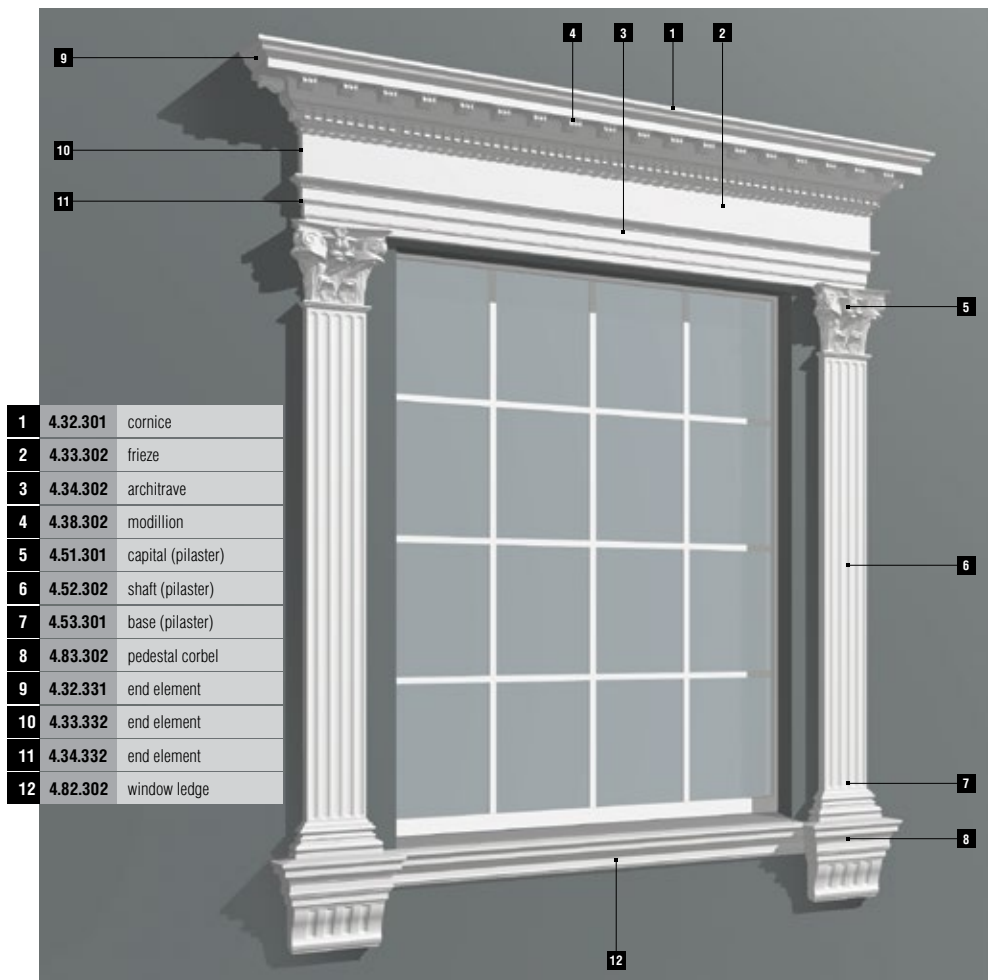




1	4.32.301	cornice
2	4.33.302	frieze
3	4.34.302	architrave
4	4.38.302	modillion
5	4.51.301	capital (pilaster)
6	4.52.301	shaft (pilaster)
7	4.53.302	base (pilaster)
8	4.83.302	pedestal corbel
9	4.32.331	end element
10	4.33.332	end element
11	4.34.332	end element
12	4.82.302	window ledge

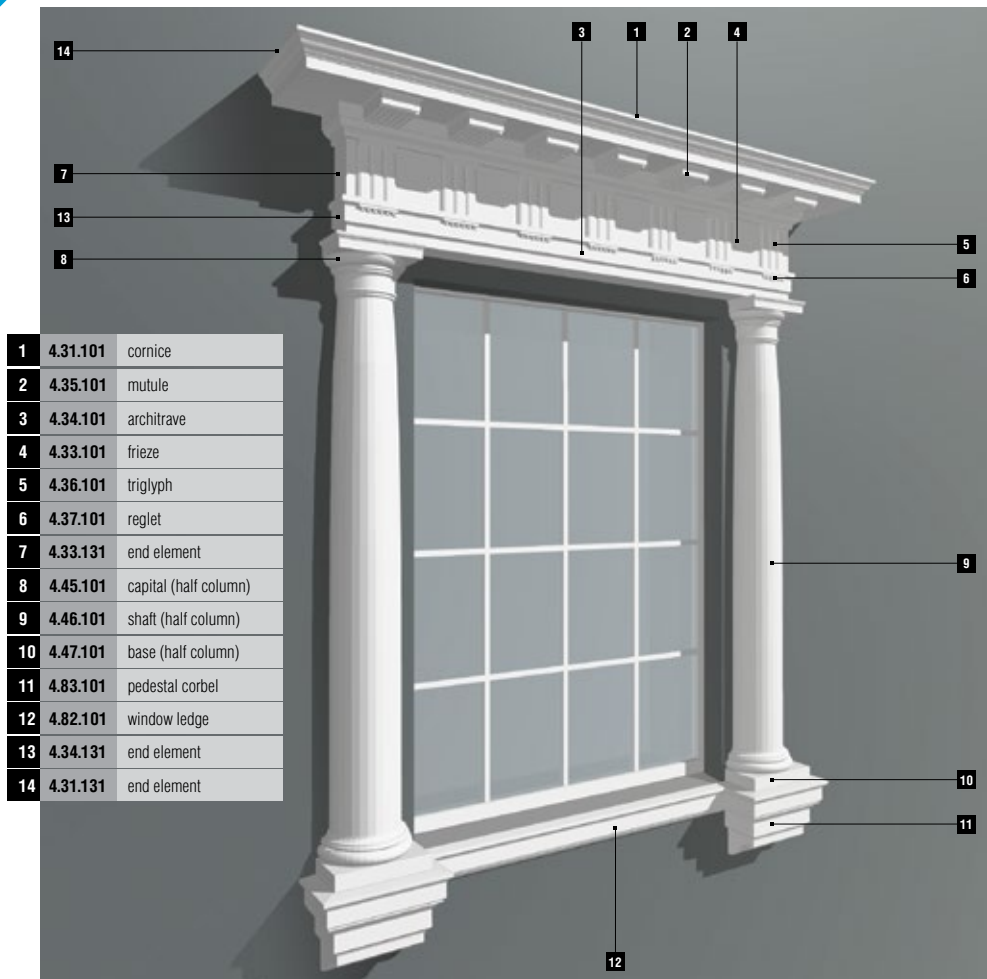
windows with pilasters

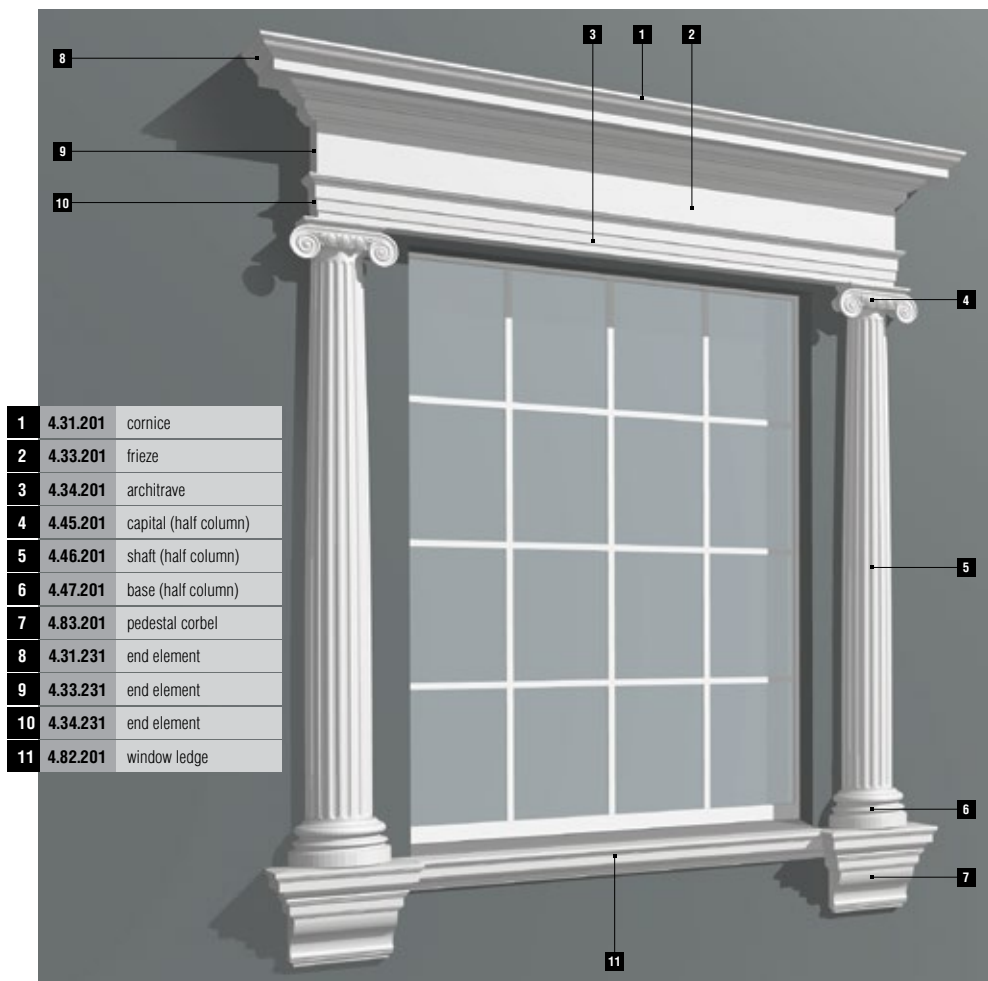




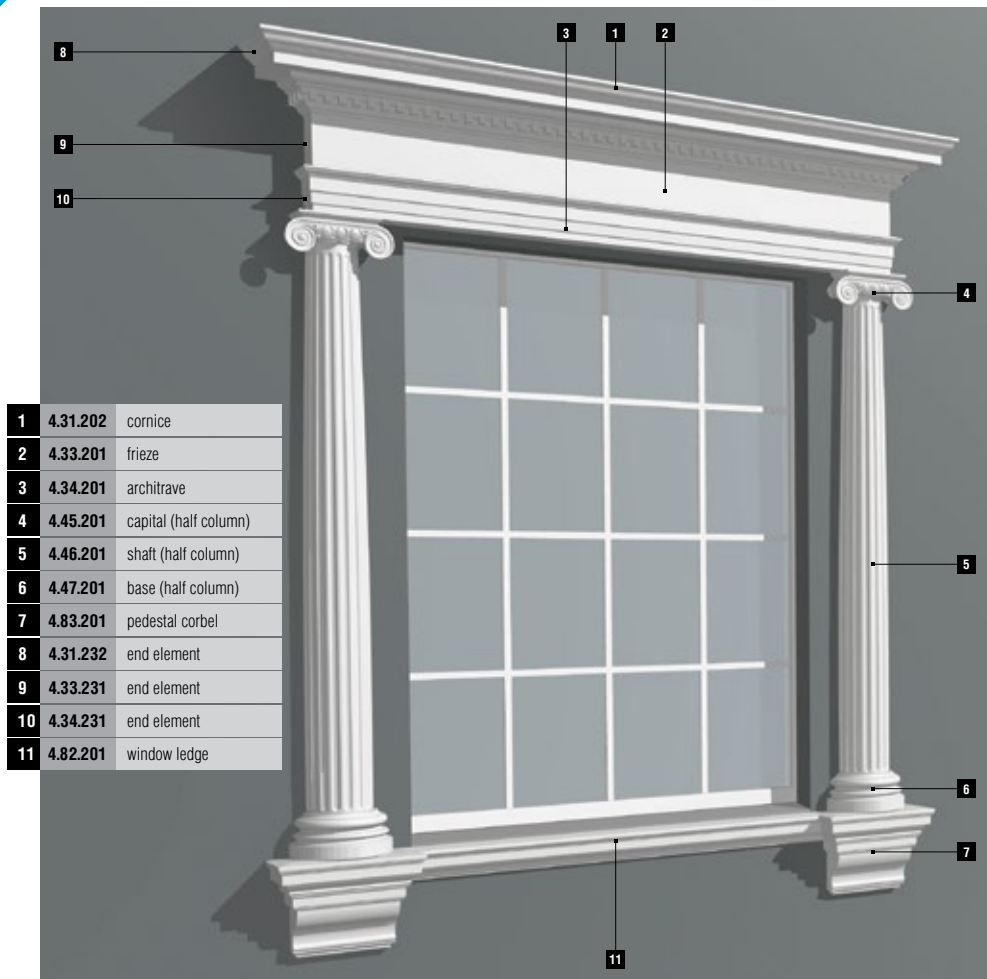
1	4.32.301	cornice
2	4.33.302	frieze
3	4.34.302	architrave
4	4.38.302	modillion
5	4.51.301	capital (pilaster)
6	4.52.302	shaft (pilaster)
7	4.53.301	base (pilaster)
8	4.83.302	pedestal corbel
9	4.32.331	end element
10	4.33.332	end element
11	4.34.332	end element
12	4.82.302	window ledge

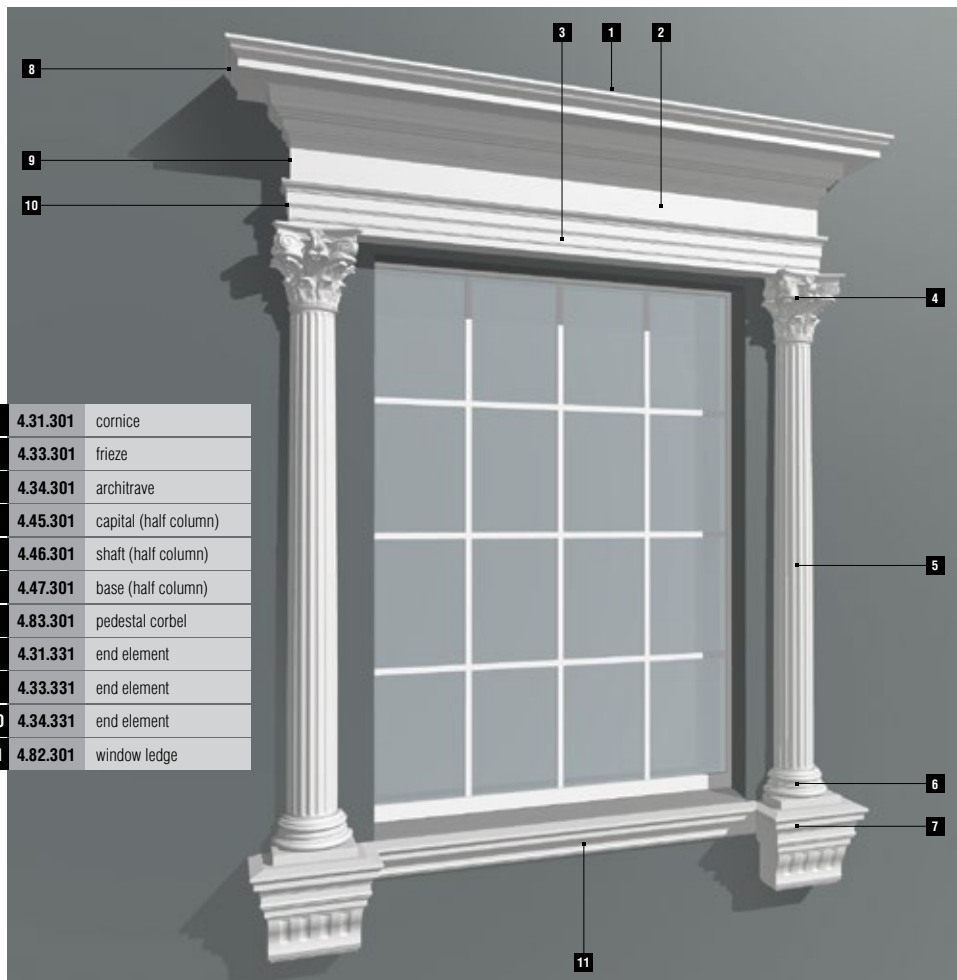
windows with half columns





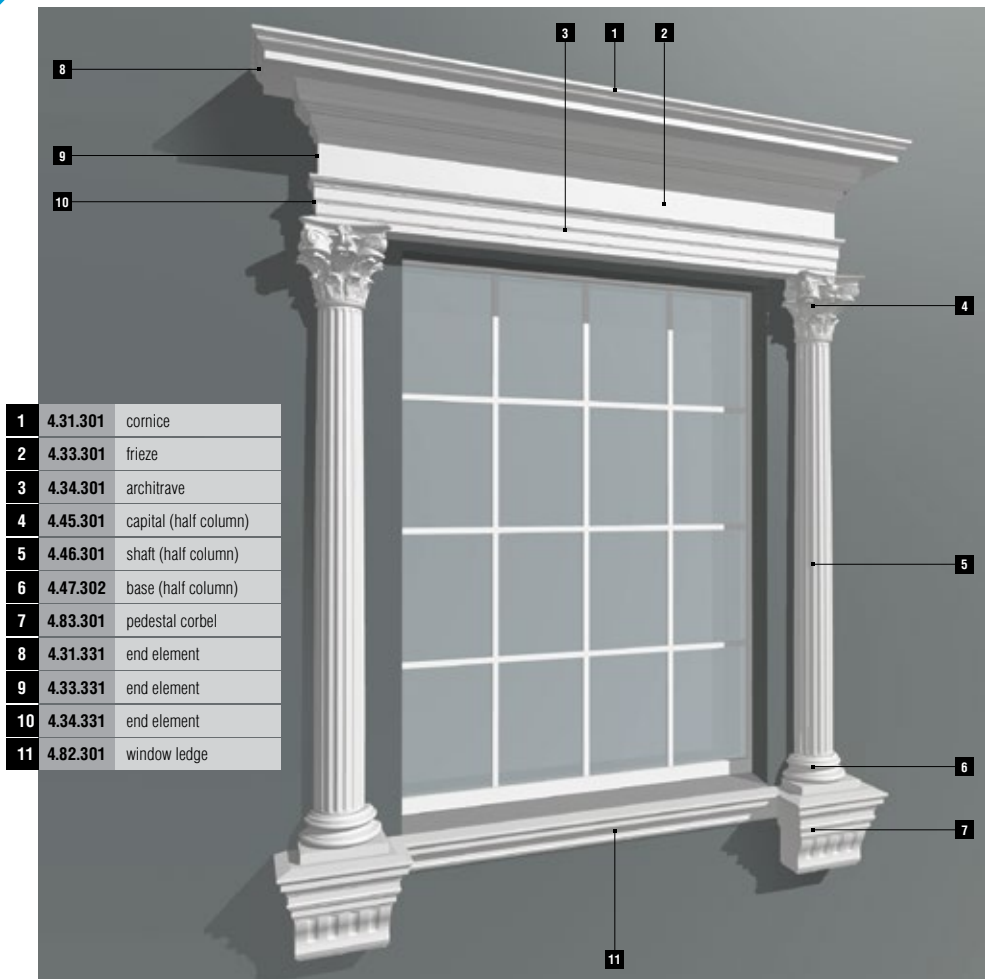
windows with half columns

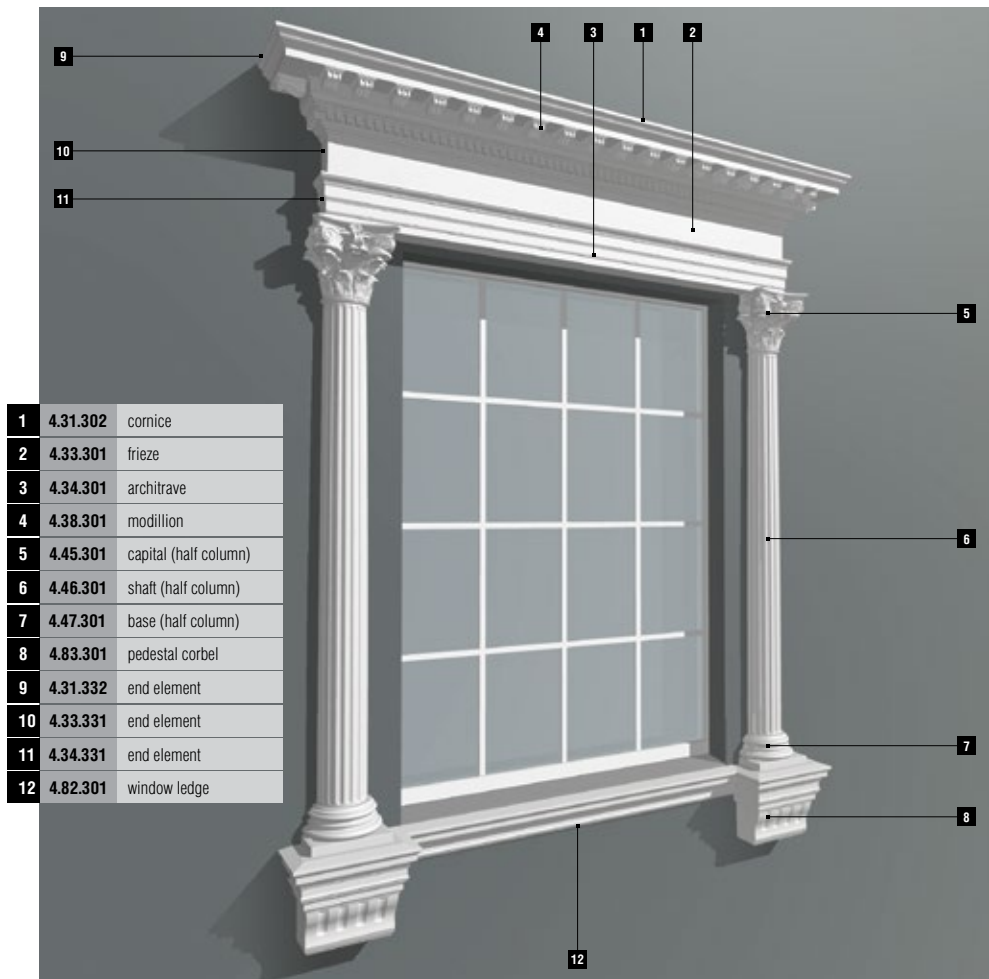




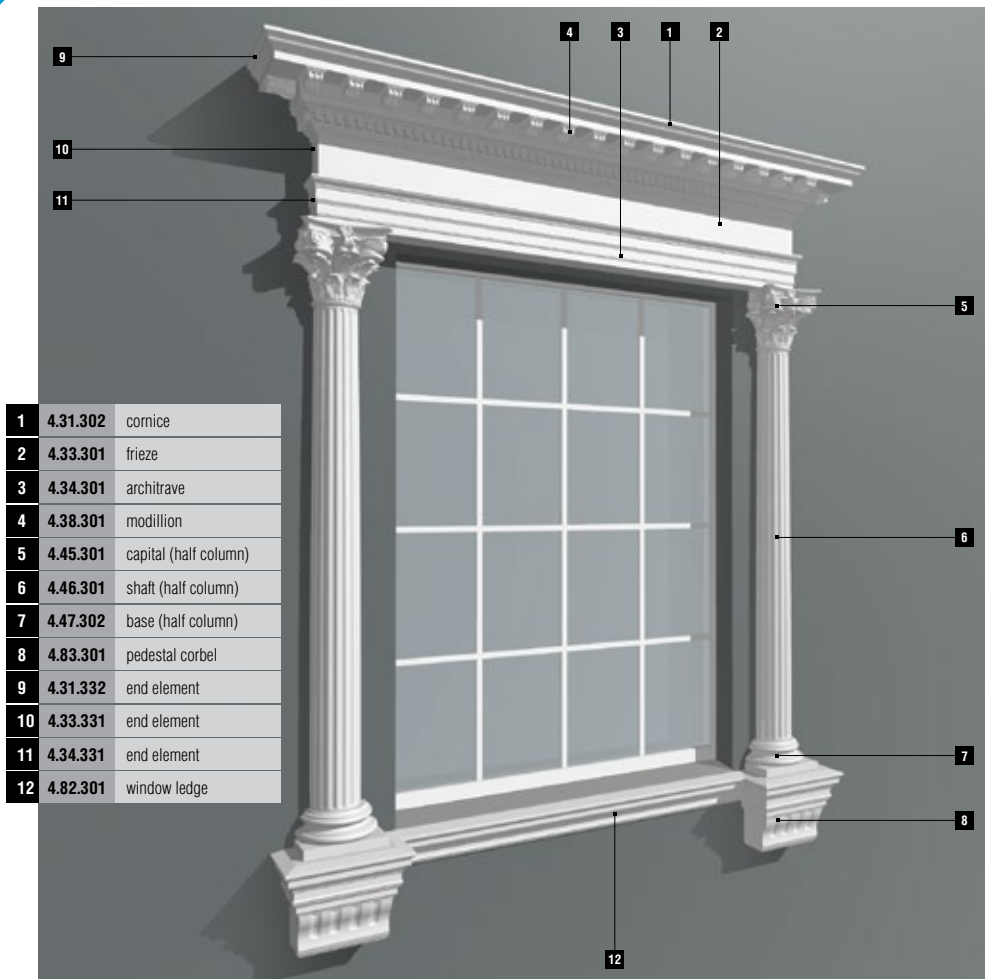
1	4.31.301	cornice
2	4.33.301	frieze
3	4.34.301	architrave
4	4.45.301	capital (half column)
5	4.46.301	shaft (half column)
6	4.47.301	base (half column)
7	4.83.301	pedestal corbel
8	4.31.331	end element
9	4.33.331	end element
10	4.34.331	end element
11	4.82.301	window ledge

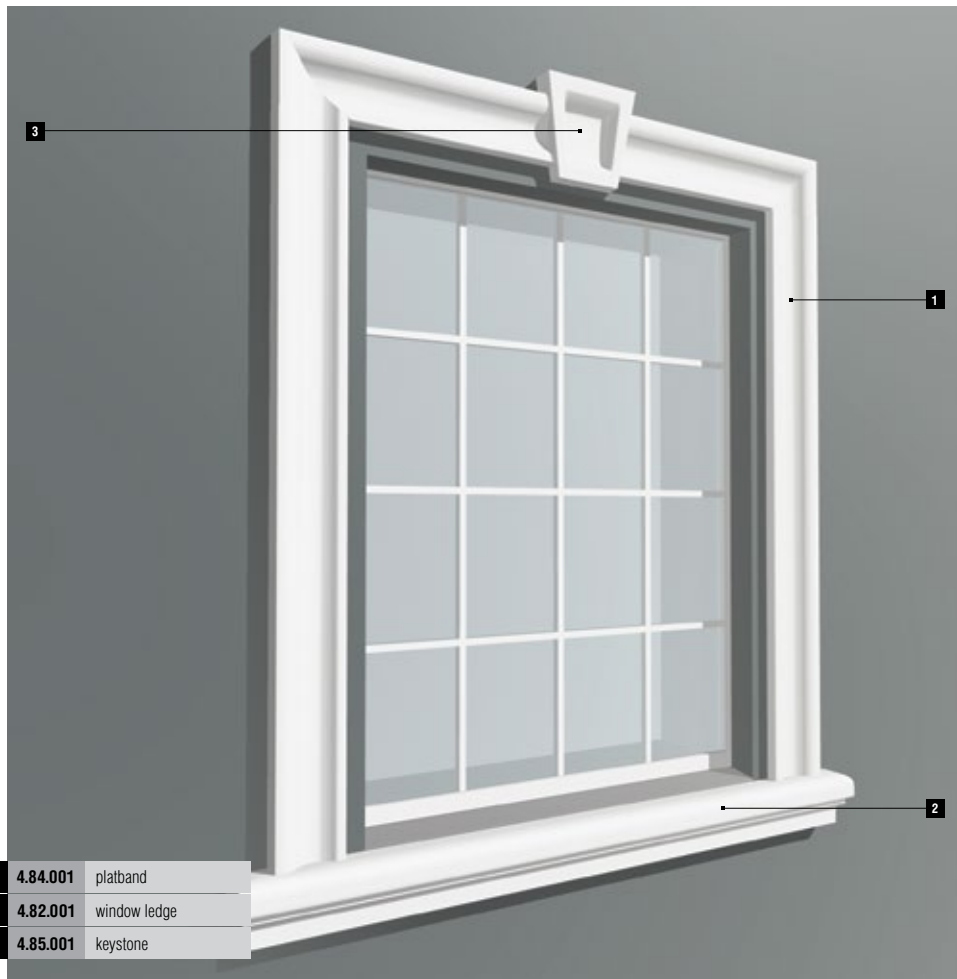
windows with half columns





windows with half columns





1	4.84.001	platband
2	4.82.001	window ledge
3	4.85.001	keystone

windows with keystones

1	4.84.002	platband
2	4.82.002	window ledge
3	4.85.002	keystone
4	4.83.002	corbel

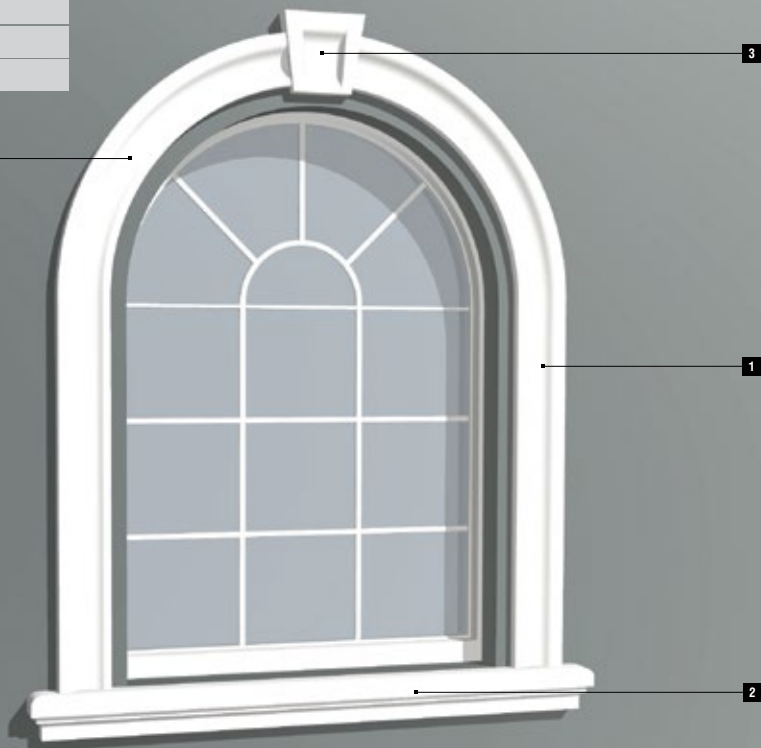


1	4.84.003	platband
2	4.82.003	window ledge
3	4.85.003	keystone
4	4.83.003	corbel



windows with keystones

1	4.84.001	platband
2	4.82.001	window ledge
3	4.85.001	keystone
4	4.87.031	arch frame

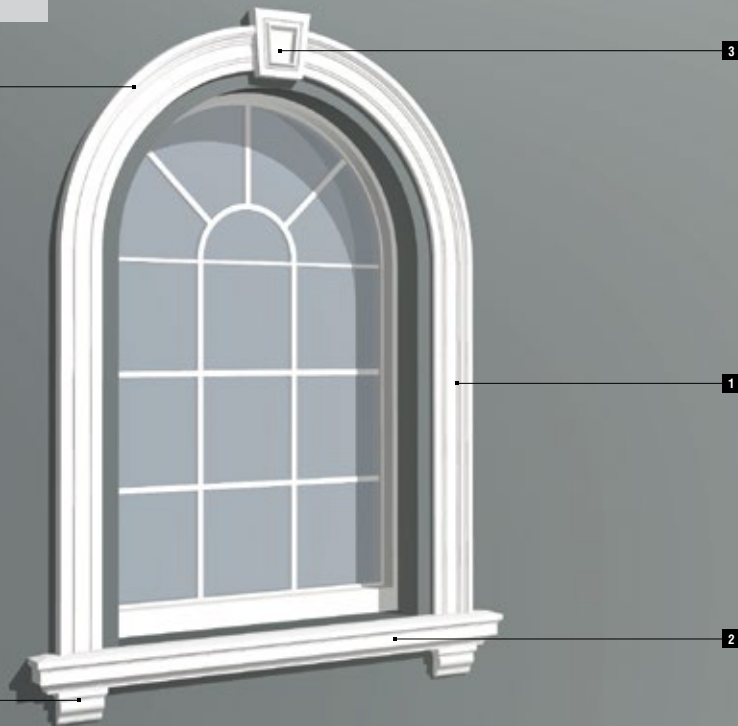


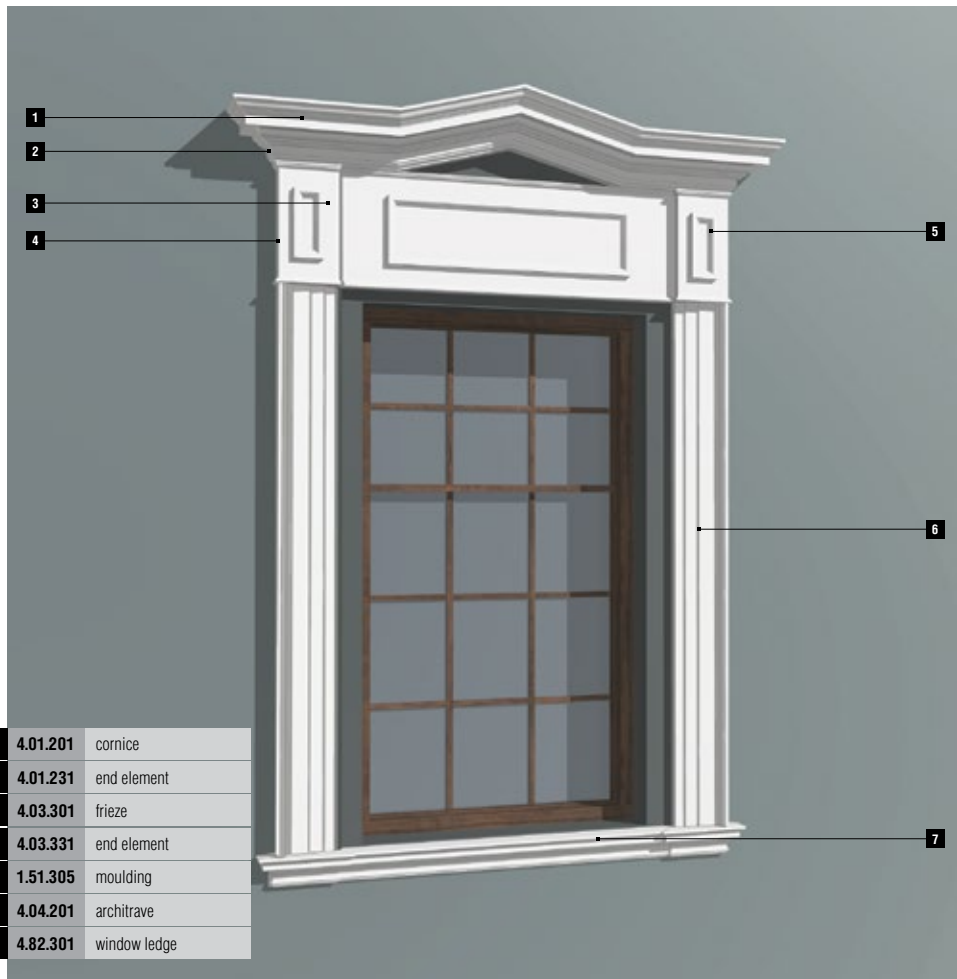
1	4.84.002	platband
2	4.82.002	window ledge
3	4.85.002	keystone
4	4.83.002	corbel
5	4.87.032	arch frame



windows with keystones

1	4.84.003	platband
2	4.82.003	window ledge
3	4.85.003	keystone
4	4.83.003	corbel
5	4.87.033	arch frame





1	4.01.201	cornice
2	4.01.231	end element
3	4.03.301	frieze
4	4.03.331	end element
5	1.51.305	moulding
6	4.04.201	architrave
7	4.82.301	window ledge

windows

- | | | |
|---|----------|--------------|
| 1 | 4.84.004 | platband |
| 2 | 4.82.302 | window ledge |

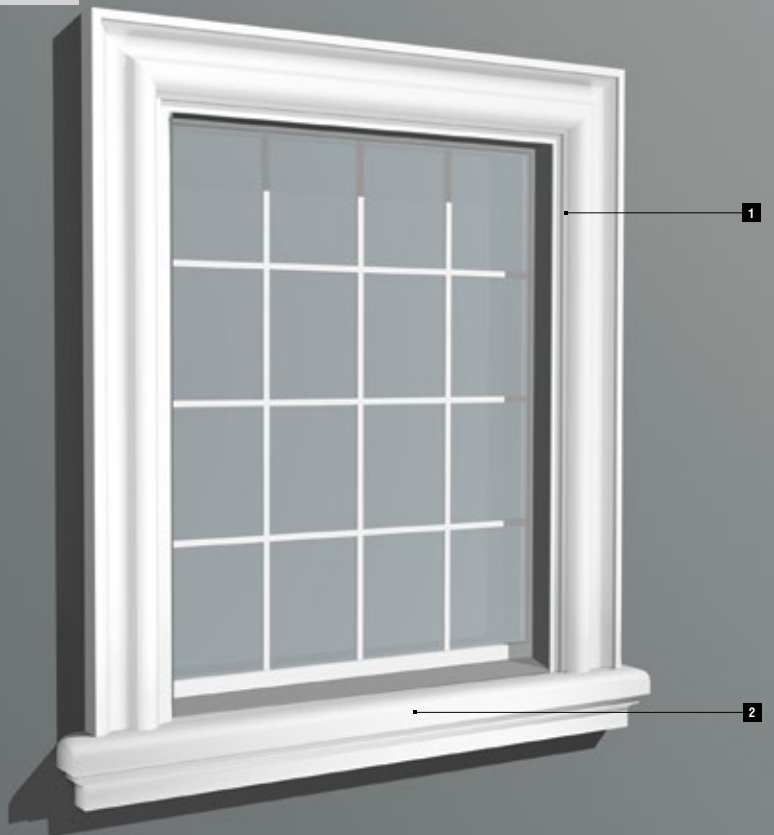


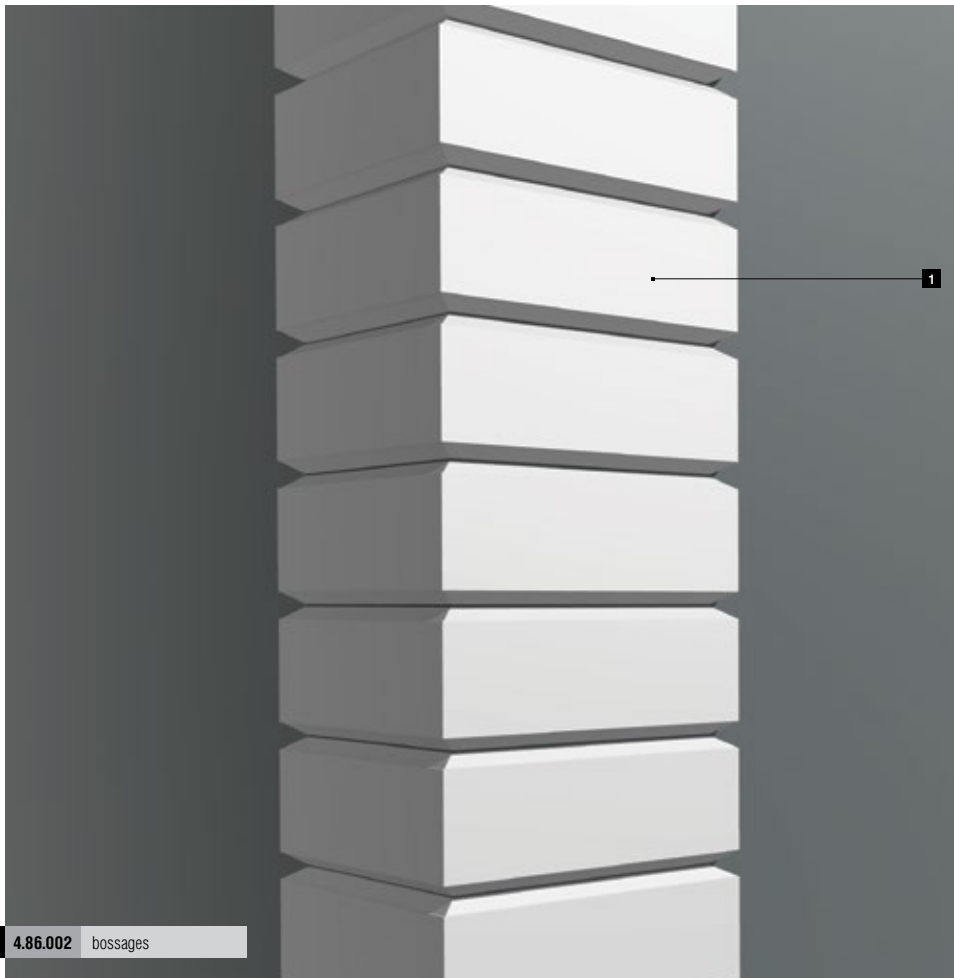
- | | | |
|----------|-----------------|--------------|
| 1 | 4.84.005 | platband |
| 2 | 4.82.201 | window ledge |



windows

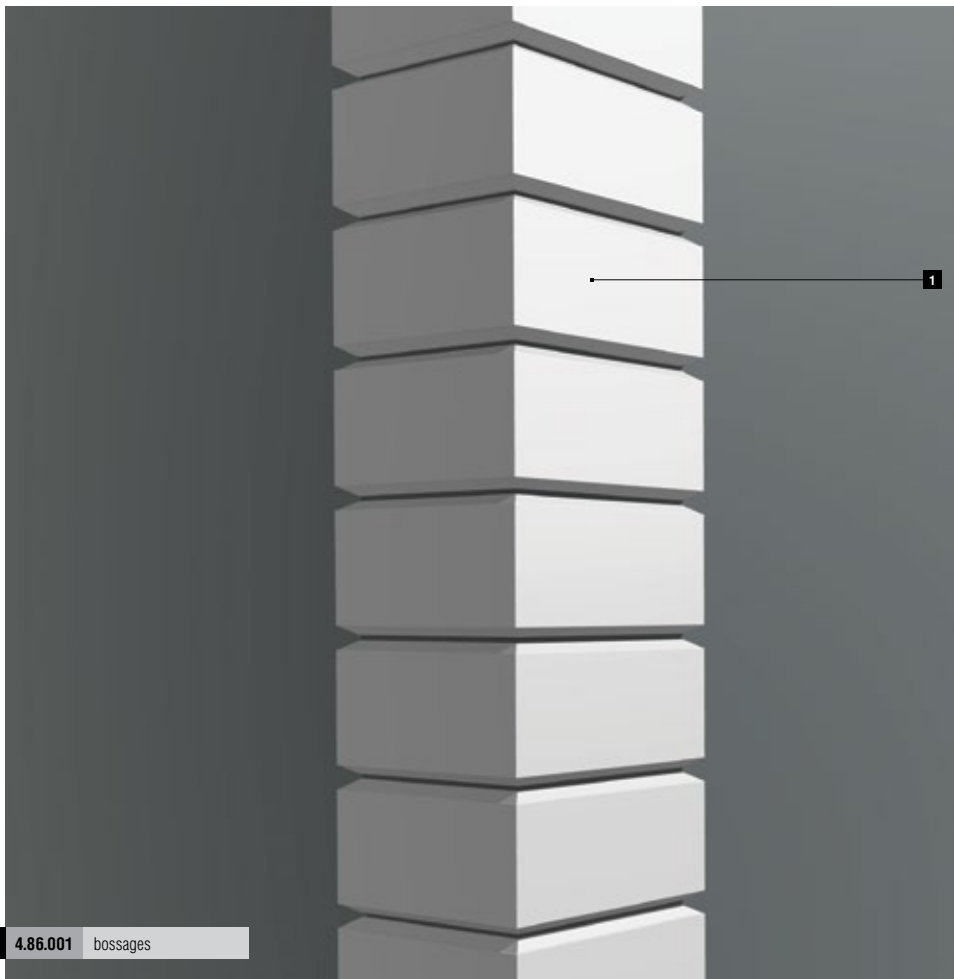
1	4.84.006	platband
2	4.82.001	window ledge





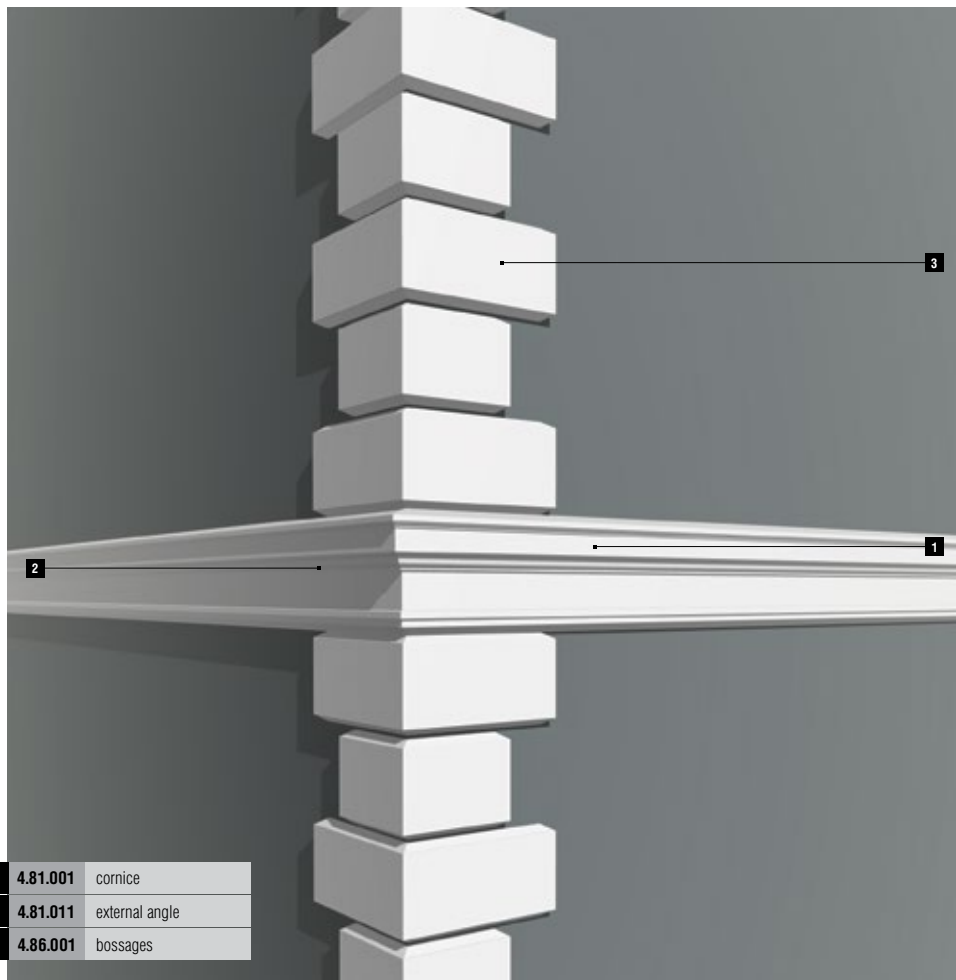
1 4.86.002 bossages

bossages



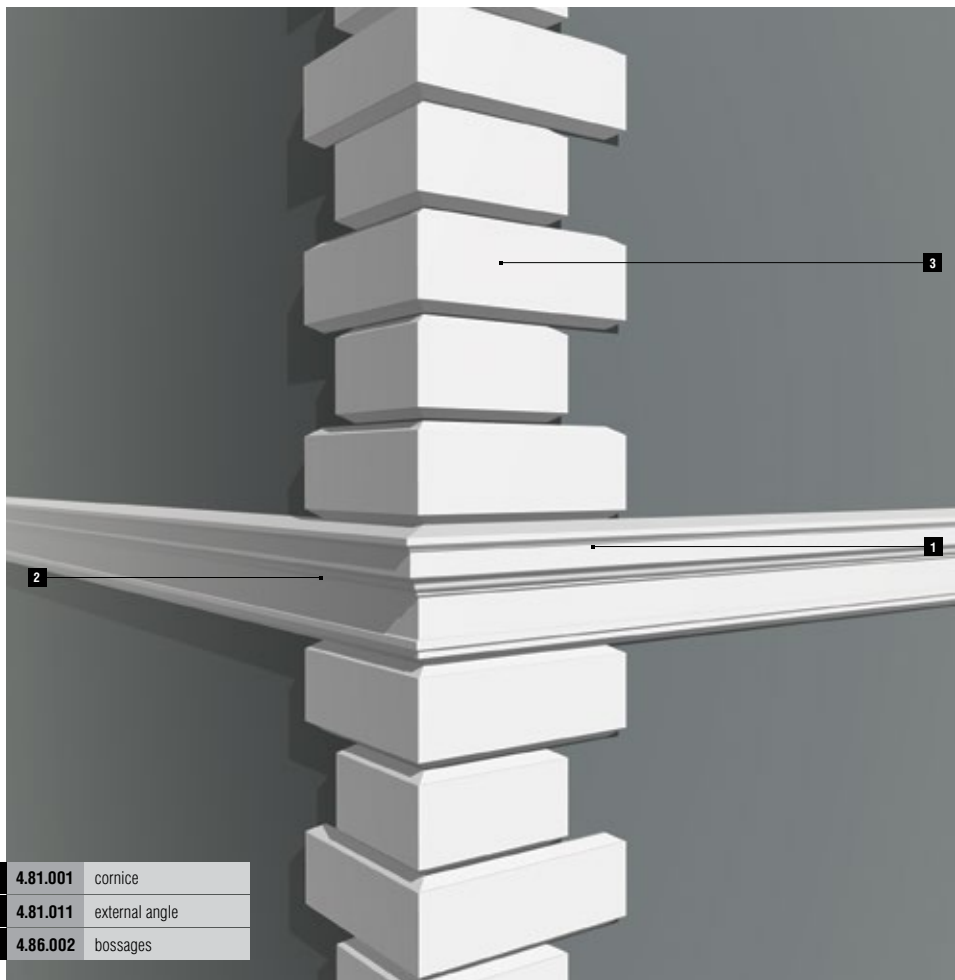
1

4.86.001 bossages



1	4.81.001	cornice
2	4.81.011	external angle
3	4.86.001	bossages

bossages



1 4.81.001 cornice

2 4.81.011 external angle

3 4.86.002 bossages



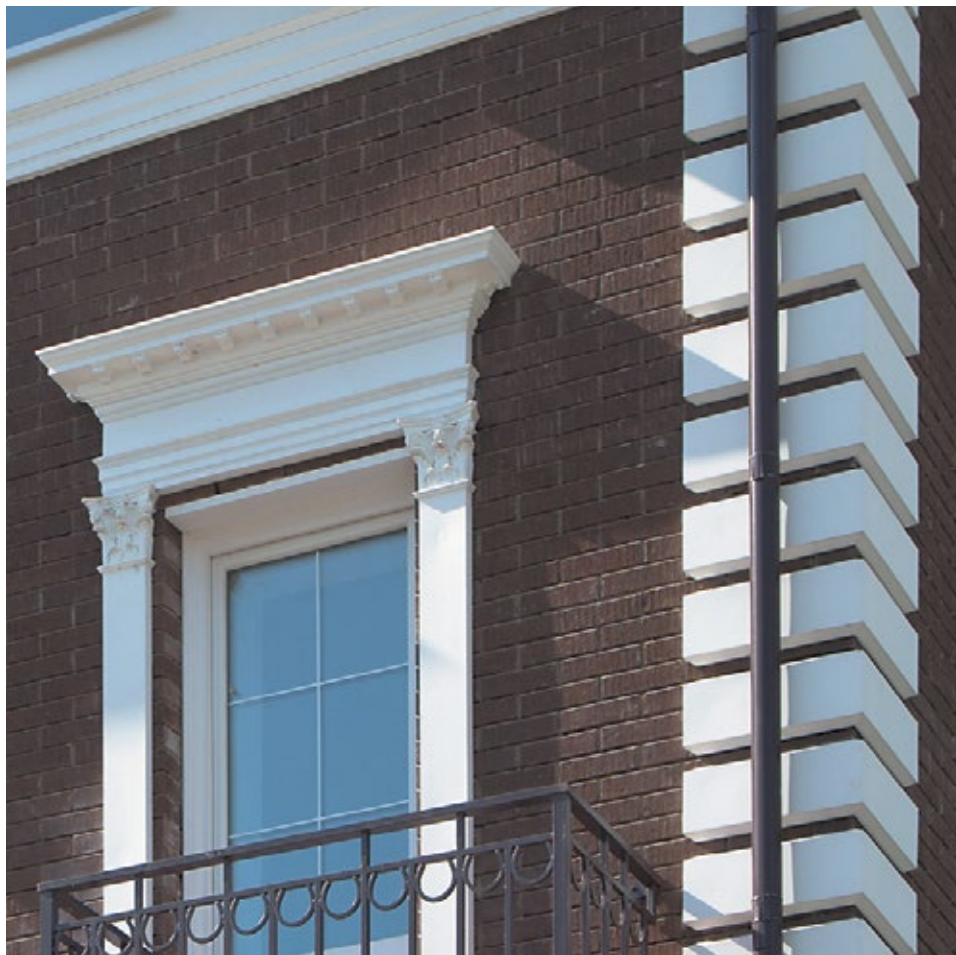
examples





examples





examples





